

ST Max™ 395/495/595 ST Max II™ 490/495/595

309706P
EN

For professional use only.

3300 psi (22.8 MPa, 228 bar) Maximum Working Pressure

See page 2 for model information.



Important Safety Instructions

Read all warnings and instructions in this manual and in Operation manual 309665. Save all instructions.

Related Manuals:



309665



309250



309825



311861



309055




309674

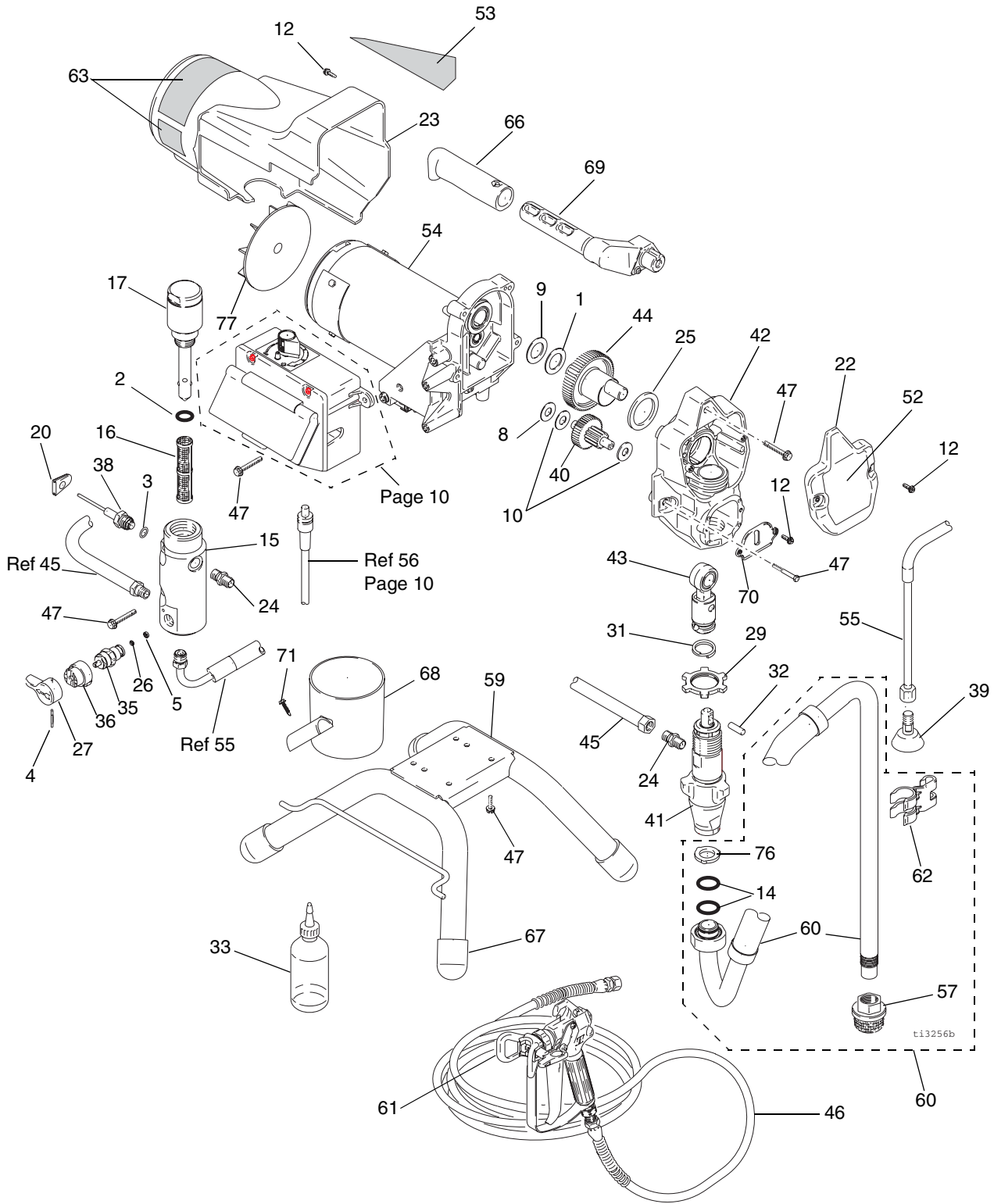


309709

Models

| Vac | Type | |  |  |  |
|-------------|-----------|------------|---|---|---|
| 230 CEE 7/7 | ST Max | 395 Hopper | 233955 (Series B) | | |
| | ST Max | 395 | 234176 (Series B) | 248662 (Series B) | 234286 (Series B) |
| | ST Max | 495 | 233956 (Series A) | 233970 (Series A) | 233971 (Series A) |
| | ST Max | 595 | | 248661 (Series A) | 234437 (Series A) |
| | ST Max II | 490 Hopper | 253011 (Series B) | | |
| | ST Max II | 490 | 249926 (Series C) | 253012 (Series B) | 253013 (Series C) |
| | ST Max II | 495 | 249928 (Series C) | 253014 (Series C) | 249978 (Series C) |
| | ST Max II | 595 | | 253015 (Series B) | 249930 (Series B) |
| 230 Europe | ST Max | 395 | 233963 (Series B) | | |
| | ST Max | 495 | 233957 (Series A) | | 234178 (Series A) |
| | ST Max | 595 | | | 234438 (Series A) |
| | ST Max II | 490 | 249927 (Series C) | | |
| | ST Max II | 495 | 249929 (Series C) | | 249979 (Series C) |
| | ST Max II | 595 | | | 249931 (Series B) |
| 110 UK | ST Max | 395 | 233972 (Series B) | | |
| | ST Max | 495 | 233973 (Series A) | | 233975 (Series A) |
| | ST Max | 595 | | | 234436 (Series A) |
| | ST Max II | 490 | 249935 (Series C) | | |
| | ST Max II | 495 | 249936 (Series C) | | 249980 (Series C) |
| | ST Max II | 595 | | | 249937 (Series B) |

Parts Drawing (Stand Assembly - ST Max)



Parts List (Stand Assembly - ST Max)

| Ref. | Part | Description | Qty. | Ref. | Part | Description | Qty. |
|------|--------|---|------|------|---------|--|------|
| 1 | 107434 | BEARING, thrust | 1 | | 15K396 | 395 Models | 1 |
| 2 | 117828 | PACKING, o-ring | 1 | | 15C326 | 495 Models | 1 |
| 3 | 111457 | PACKING, o-ring | 1 | 53 | | LABEL, side, Graco | |
| 4 | 111600 | Pin, grooved | 1 | | 15K397 | 395 Models | 1 |
| 5 | 111699 | GASKET, seat, valve | 1 | | 15C324 | 495 Models | 1 |
| 8 | 116073 | WASHER, thrust | 1 | 54 | | MOTOR (230V) | |
| 9 | 116074 | WASHER, thrust | 1 | | 287060* | 395/495 Models (includes 77) | 1 |
| 10 | 116079 | BEARING, thrust | 2 | | | MOTOR (110V) | |
| 12 | 117501 | SCREW, mach, hex washer hd | 6 | | 287015* | 395/495 Models (includes 77) | 1 |
| 14 | 117559 | O-RING | 2 | 55 | 246381 | HOSE, drain, stand (includes 39, 62) | 1 |
| 15 | 15G455 | MAINIFOLD, fluid | 1 | | | | |
| 16† | 246384 | FILTER, fluid, 60 mesh | 1 | 57 | 246385 | STRAINER, 7/8-14 unf | 1 |
| 17 | 287167 | CAP, manifold | 1 | 59 | 15E823 | FRAME, standmount | 1 |
| 20 | 15B120 | GROMMET, transducer | 1 | 60 | 246386 | KIT, hose, suction (includes 14, 57, 62, 76) | 1 |
| 22 | 287058 | COVER, front, Graco, paint | 1 | | | | |
| 23 | 287056 | SHIELD, motor, painted | 1 | 61 | 288428 | GUN (includes manual 311861) | 1 |
| 24 | 162453 | NIPPLE, 1/4 npsm x 1/4 npt | 2 | 62 | 276888 | CLIP, drain line | 1 |
| 25 | 180131 | BEARING, thrust | 1 | 63▲ | 16G596 | LABEL, warning | 1 |
| 26 | 15E022 | SEAT, valve | 1 | 66 | 116139 | GRIP, handle | 1 |
| 27 | 187625 | HANDLE, valve, drain | 1 | 67 | 15G857 | CAP, leg | 4 |
| 29 | 195150 | NUT, jam, pump | 1 | 68 | 287903 | CUP, suction/drain | 1 |
| 31 | 196750 | SPRING, retaining | 1 | 69 | 287072 | HANDLE, sprayer (includes 47, 66) | 1 |
| 32 | 196762 | PIN, straight | 1 | 70 | 15B589 | COVER, pump rod | 1 |
| 33 | 206994 | FLUID, TSL | 1 | 71 | 122667 | SCREW, drill, hex washer head | 1 |
| 35 | 235014 | VALVE, drain (includes 5, 26) | 1 | 76 | 115099 | WASHER, garden hose | 1 |
| 36 | 224807 | BASE, valve | 1 | 77 | 248189 | FAN, motor | 1 |
| 38 | 243222 | TRANSDUCER, pressure control (includes 3) | 1 | 80 | 288526 | KIT, accessory, hopper (not shown) | 1 |
| 39 | 241920 | DEFLECTOR, threaded | 1 | | | | |
| 40 | 244242 | GEAR, reducer (includes 8, 10) | 1 | | | | |
| 41 | 246428 | PUMP, displacement, (includes 32) | 1 | | | | |
| 42 | 287055 | HOUSING, drive (includes 12, 70) | 1 | | | | |
| 43 | 287053 | ROD, connecting (includes 31, 32) | 1 | | | | |
| 44 | 287054 | GEAR, crankshaft (includes 1, 9, 25) | 1 | | | | |
| 45 | 287003 | HOSE, cpId | 1 | | | | |
| 46 | 240794 | HOSE, cpId, 1/4 in. x 50 ft | 1 | | | | |
| 47 | 117493 | SCREW, mach, hex washer hd | 1 | | | | |
| 52 | | LABEL, front, Graco | | | | | |

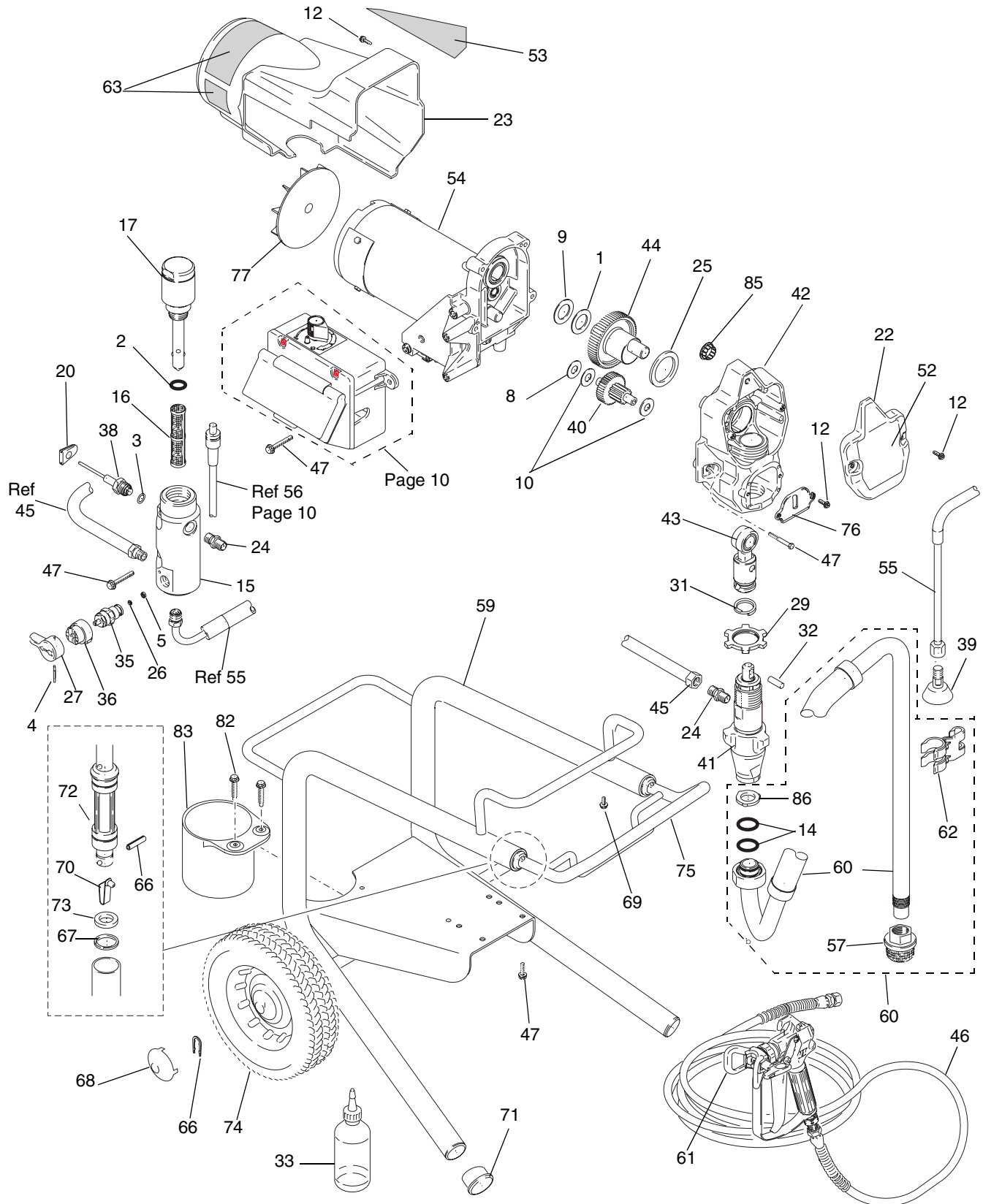


▲ Replacement Danger and Warning labels, tags, and cards are available at no cost

* Motor Brush Kit 287735 is available

† Other filters available: 246382, 100 mesh; 246383, 200 mesh; 246425, 30 mesh

Parts Drawing (Lo-Boy Assembly - ST Max)



Parts List (Lo-Boy Assembly - ST Max)

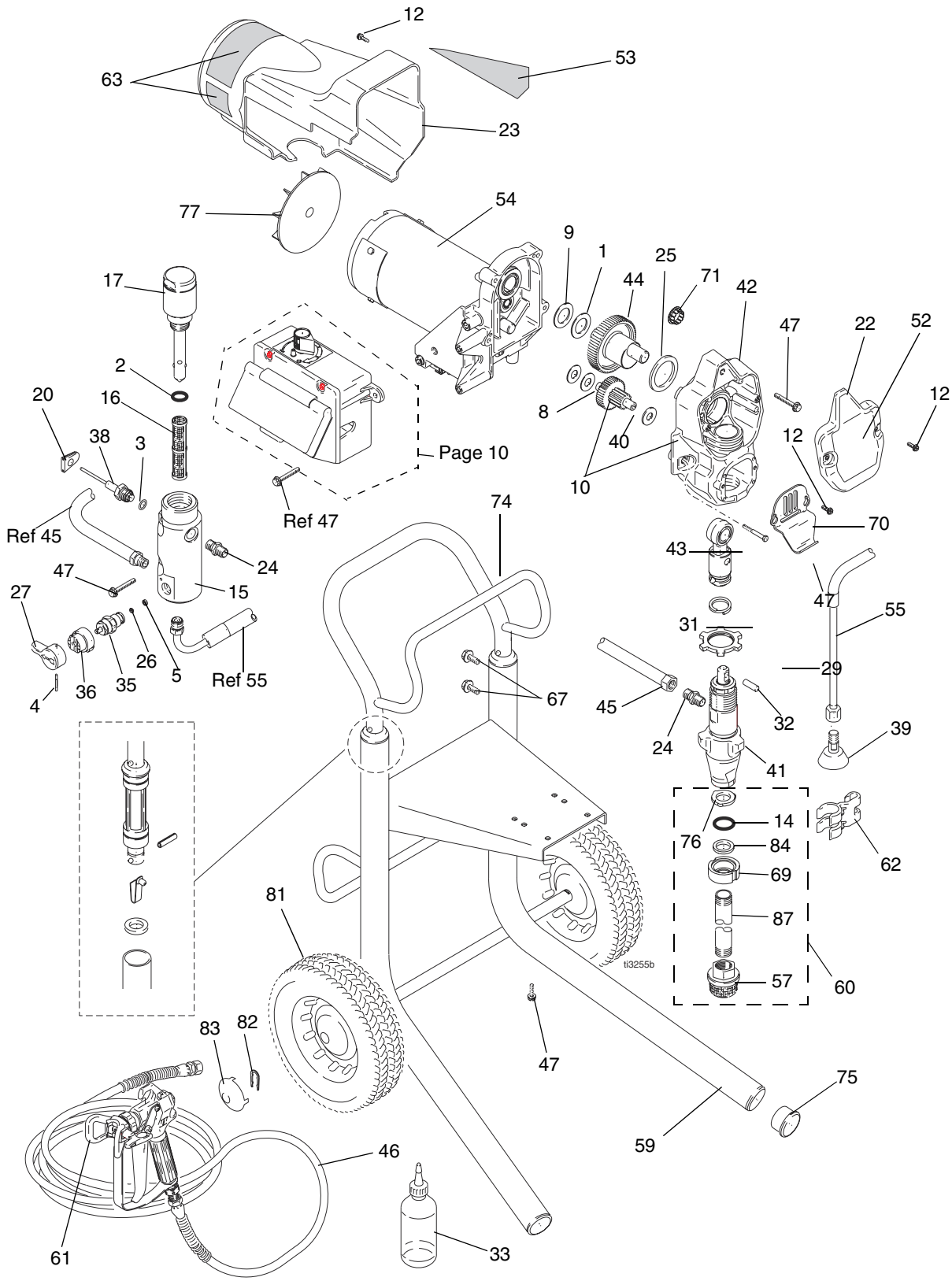
| Ref. | Part | Description | Qty. | Ref. | Part | Description | Qty. |
|------|---------|--|------|------|--------|--|------|
| 1 | 107434 | BEARING, thrust | 1 | 57 | 246385 | STRAINER, 7/8-14 unf | 1 |
| 2 | 117828 | PACKING, o-ring | 1 | 59 | 246250 | FRAME, cart, LO | 1 |
| 3 | 111457 | PACKING, o-ring | 1 | 60 | 246386 | KIT, hose suction (includes 14, 57, 62, 86) | 1 |
| 4 | 111600 | Pin, grooved | 1 | 61 | 288428 | GUN (includes manual 311861) | 1 |
| 5 | 111699 | GASKET, seat, valve | 1 | 62 | 276888 | CLIP, drain line | 1 |
| 8 | 116073 | WASHER, thrust | 1 | 63▲ | 16G596 | LABEL, warning | 1 |
| 9 | 116074 | WASHER, thrust | 1 | 66 | 15B999 | CLIP, retaining | 2 |
| 10 | 116079 | BEARING, thrust | 2 | 67 | 103117 | RING, retaining | 2 |
| 12 | 117501 | SCREW, mach, hex washer hd | 6 | 68 | 104811 | CAP, hub | 2 |
| 14 | 117559 | O-RING | 2 | 69 | 109032 | SCREW, pan hd | 4 |
| 15 | 15G455 | MAINIFOLD, fluid | 1 | 70 | 178565 | BUTTON, snap | 2 |
| 16† | 246384 | FILTER, fluid, 60 mesh | 1 | 71 | 180656 | PLUG, button | 1 |
| 17 | 287167 | CAP, manifold | 1 | 72 | 195501 | SLEEVE, cart | 2 |
| 20 | 15B120 | GROMMET, transducer | 1 | 73 | 195673 | WASHER | 2 |
| 22 | 287058 | COVER, front, Graco, paint | 1 | 74 | 195766 | WHEEL, semi pneumatic | 2 |
| 23 | 287056 | SHIELD, motor, painted | 1 | 75 | 243205 | HANDLE, assembly | 1 |
| 24 | 162453 | NIPPLE, 1/4 npsm x 1/4 npt | 2 | 76 | 15B589 | COVER, pump rod | 1 |
| 25 | 180131 | BEARING, thrust | 1 | 77 | 248189 | FAN, motor | 1 |
| 26 | 15E022 | SEAT, valve | 1 | 82 | 122667 | SCREW, drill | 2 |
| 27 | 187625 | HANDLE, valve, drain | 1 | 83 | 15B870 | CUP, suction/drain | 1 |
| 29 | 195150 | NUT, jam, pump | 1 | 85 | 115979 | PLUG, hole | 1 |
| 31 | 196750 | SPRING, retaining | 1 | 86 | 115099 | WASHER, garden hose | 1 |
| 32 | 196762 | PIN, straight | 1 | | | | |
| 33 | 206994 | FLUID, TSL | 1 | | | | |
| 35 | 235014 | VALVE, drain (includes 5, 26) | 1 | | | | |
| 36 | 224807 | BASE, valve | 1 | | | | |
| 38 | 243222 | TRANSDUCER, pressure control (includes 3) | 1 | | | | |
| 39 | 241920 | DEFLECTOR, threaded | 1 | | | | |
| 40 | 244242 | GEAR, reducer (includes 8, 10) | 1 | | | | |
| 41 | 246428 | PUMP, displacement, (includes 32) | 1 | | | | |
| 42 | 287055 | HOUSING, drive (includes 12, 70) | 1 | | | | |
| 43 | 287053 | ROD, connecting (includes 31, 32) | 1 | | | | |
| 44 | 287054 | GEAR, crankshaft (includes 1, 9, 25) | 1 | | | | |
| 45 | 287003 | HOSE, cpld | 1 | | | | |
| 46 | 240794 | HOSE, cpld, 1/4 in. x 50 ft | 1 | | | | |
| 47 | 117493 | SCREW, mach, hex washer hd | 1 | | | | |
| 52 | | LABEL, front, Graco | | | | | |
| | 15K396 | 395 Models | 1 | | | | |
| | 15C326 | 495 Models | 1 | | | | |
| | 15D162 | 595 Models | 1 | | | | |
| 53 | | LABEL, side, Graco | | | | | |
| | 15K397 | 395 Models | 1 | | | | |
| | 15C324 | 495 Models | 1 | | | | |
| | 15D166 | 595 Models | 1 | | | | |
| 54 | | MOTOR (230V) | | | | | |
| | 287060* | 395/495 Models (includes 77) | 1 | | | | |
| | | 595 Models (includes 77) | 1 | | | | |
| | | MOTOR (110V) | | | | | |
| | 287015* | 395/495 Models (includes 77) | 1 | | | | |
| 55 | 246381 | HOSE, drain, stand (includes 39, 62) | 1 | | | | |

▲ Replacement Danger and Warning labels, tags, and cards are available at no cost

* Motor Brush Kit 287735 is available

† Other filters available: 246382, 100 mesh; 246383, 200 mesh; 246425, 30 mesh

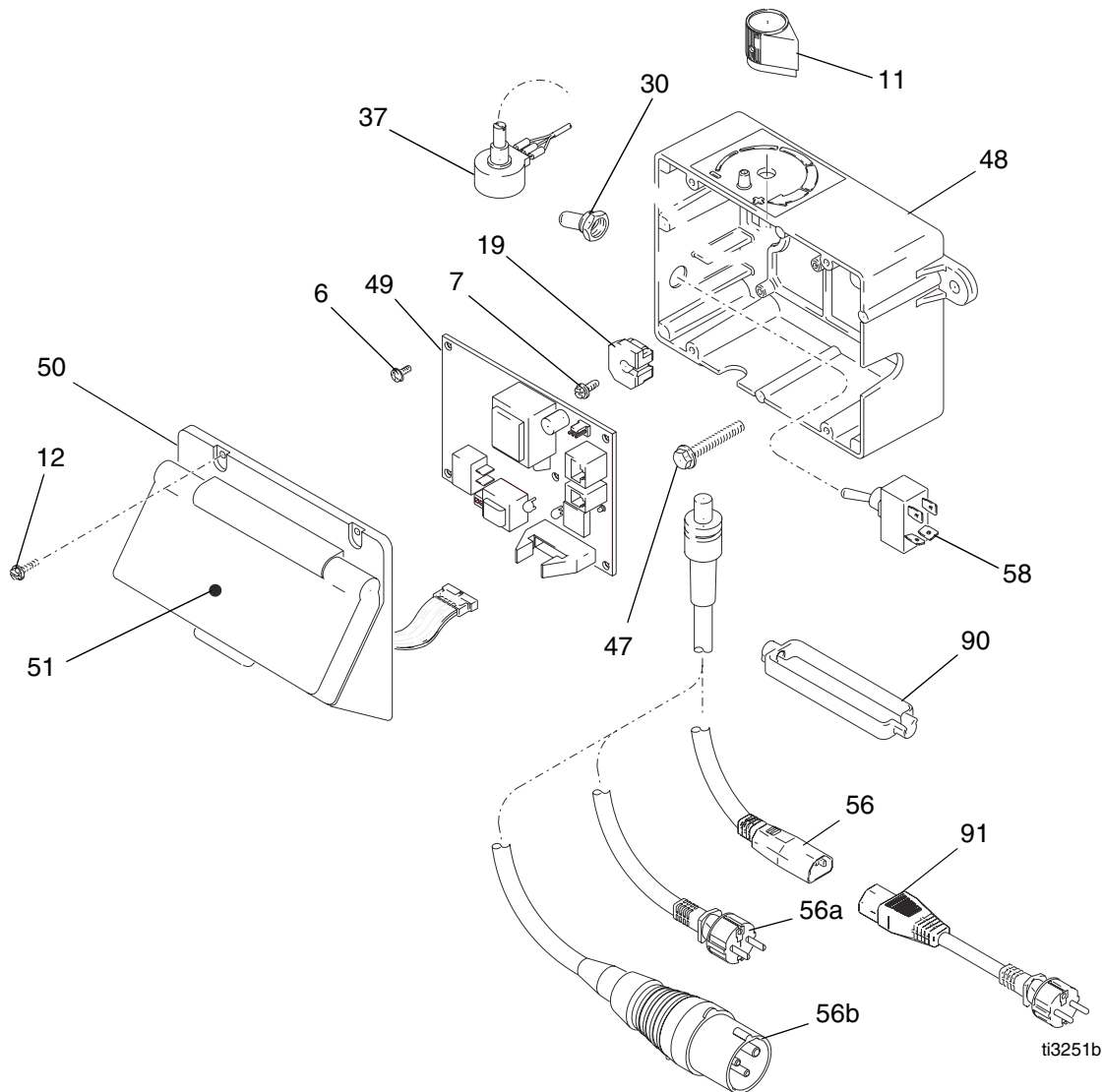
Parts Drawing (High-Boy Assembly - ST Max)



Parts List (Hi-Boy Assembly - ST Max)

| Ref. | Part | Description | Qty. | Ref. | Part | Description | Qty. |
|------|--------|--|------|---|----------------------------------|--|------|
| 1 | 107434 | BEARING, thrust | 1 | 52 | | LABEL, front, Graco | |
| 2 | 117828 | PACKING, o-ring | 1 | 15K396 | 395 Models | | 1 |
| 3 | 111457 | PACKING, o-ring | 1 | 15C326 | 495 Models | | 1 |
| 4 | 111600 | Pin, grooved | 1 | 15D162 | 595 Models | | 1 |
| 5 | 111699 | GASKET, seat, valve | 1 | 53 | | LABEL, side, Graco | |
| 8 | 116073 | WASHER, thrust | 1 | 15K397 | 395 Models | | 1 |
| 9 | 116074 | WASHER, thrust | 1 | 15C324 | 495 Models | | 1 |
| 10 | 116079 | BEARING, thrust | 2 | 15D166 | 595 Models | | 1 |
| 12 | 117501 | SCREW, mach, hex washer hd | 6 | 54 | | MOTOR (230V) | |
| 14 | 103413 | O-RING | 1 | 287060* | 395/495/595 Models (includes 77) | | 1 |
| 15 | 15G455 | MAINIFOLD, fluid | 1 | | MOTOR (110V) | | |
| 16† | 246384 | FILTER, fluid, 60 mesh | 1 | 287015* | 395/495 Models (includes 77) | | 1 |
| 17 | 287167 | CAP, manifold | 1 | 248184* | 595 Models (includes 77) | | 1 |
| 20 | 15B120 | GROMMET, transducer | 1 | 55 | 244240 | HOSE, drain (includes 39) | 1 |
| 22 | 287058 | COVER, front, Graco, paint (includes 12) | 1 | 57 | 246385 | STRAINER, 7/8-14 unf | 1 |
| 23 | 287056 | SHIELD, motor, painted (includes 12, 63) | 1 | 59 | 245984 | FRAME, cart, HI | 1 |
| 24 | 162453 | NIPPLE, 1/4 npsm x 1/4 npt | 2 | 60 | 246387 | KIT, stinger tube (includes 14, 57, 69, 76, 84, 87) | 1 |
| 25 | 180131 | BEARING, thrust | 1 | 61 | 288428 | GUN (includes manual 311861) | 1 |
| 26 | 15E022 | SEAT, valve | 1 | 62 | 276888 | CLIP, drain line | 1 |
| 27 | 187625 | HANDLE, valve, drain | 1 | 63▲ | 16G596 | LABEL, warning | 1 |
| 29 | 195150 | NUT, jam, pump | 1 | 67 | 109032 | SCREW, pan hd | 4 |
| 31 | 196750 | SPRING, retaining | 1 | 69 | 15E813 | NUT, jam | 1 |
| 32 | 196762 | PIN, straight | 1 | 70 | 15C146 | HOOK, pail | 1 |
| 33 | 206994 | FLUID, TSL | 1 | 71 | 115979 | PLUG, hole | 1 |
| 35 | 235014 | VALVE, drain (includes 5, 26) | 1 | 74 | 287489 | HANDLE | 1 |
| 36 | 224807 | BASE, valve | 1 | 75 | 108691 | PLUG, tubing | 2 |
| 38 | 243222 | TRANSDUCER, pressure control (includes 3) | 1 | 76 | 115099 | WASHER | 1 |
| 39 | 241920 | DEFLECTOR, threaded | 1 | 77 | 248189 | FAN, motor | 1 |
| 40 | 244242 | GEAR, reducer (includes 8, 10) | 1 | 81 | 106062 | WHEEL | 2 |
| 41 | 246428 | PUMP, displacement, (includes 32) | 1 | 82 | 15B999 | CLIP, retaining | 1 |
| 42 | 287055 | HOUSING, drive (includes 12, 70) | 1 | 83 | 104811 | CAP, hub | 2 |
| 43 | 287053 | ROD, connecting (includes 31, 32) | 1 | 84 | 15B652 | WASHER, suction | 1 |
| 44 | | GEAR, crankshaft (includes 1, 9, 25) | 1 | 87 | 15B506 | TUBE, suction | 1 |
| | 287054 | 395/495 Models | 1 | ▲ Replacement Danger and Warning labels, tags, and cards are available at no cost | | | |
| | 248231 | 595 Models | 1 | * Motor Brush Kit 287735 is available | | | |
| 45 | 287003 | HOSE, cpld | 1 | † Other filters available: 246382, 100 mesh; 246383, 200 mesh; 246425, 30 mesh | | | |
| 46 | 240794 | HOSE, cpld, 1/4 in. x 50 ft, unpkg | 1 | | | | |
| 47 | 117493 | SCREW, mach, hex washer hd | 10 | | | | |

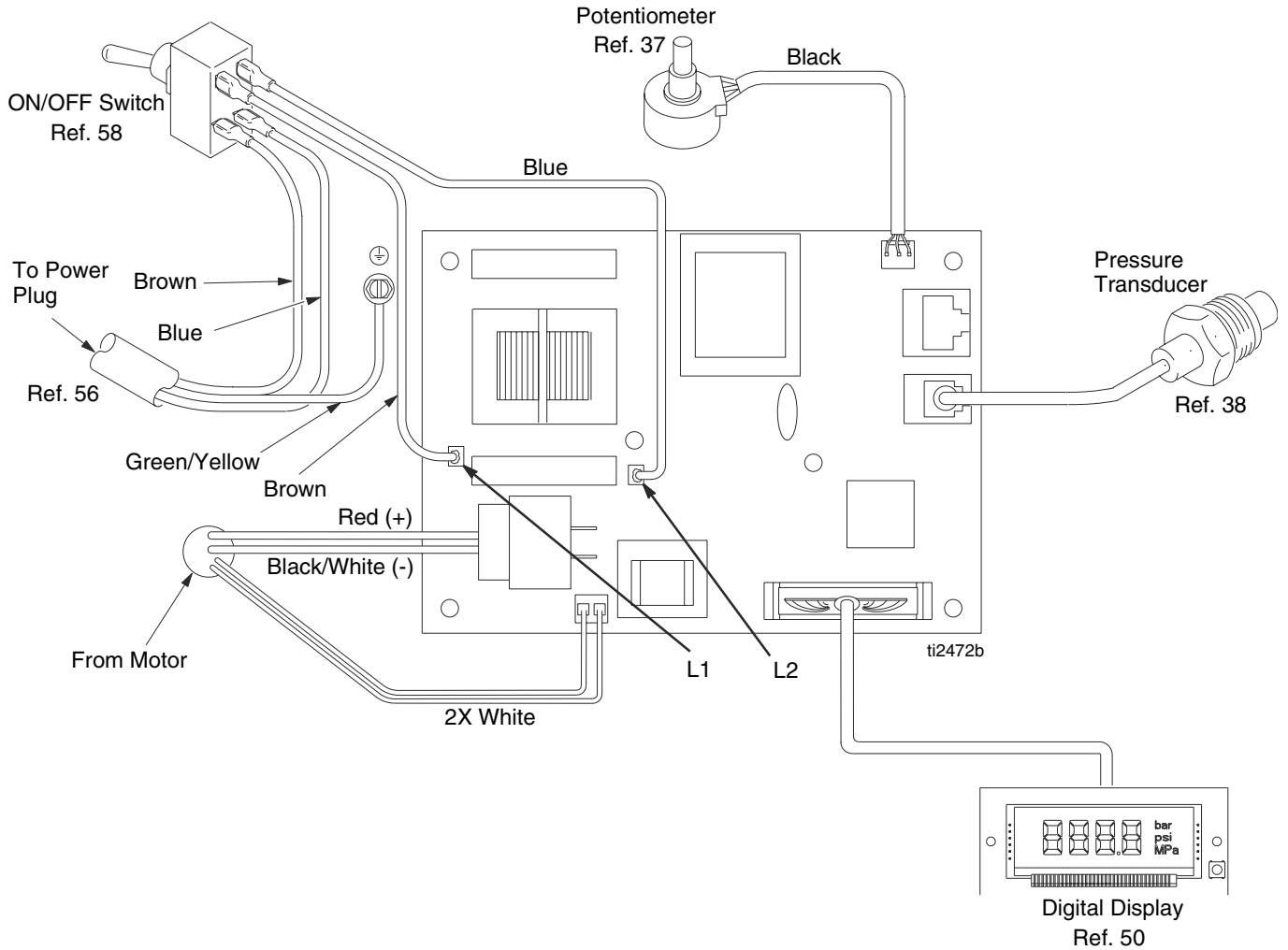
Control Box and Board ST Max



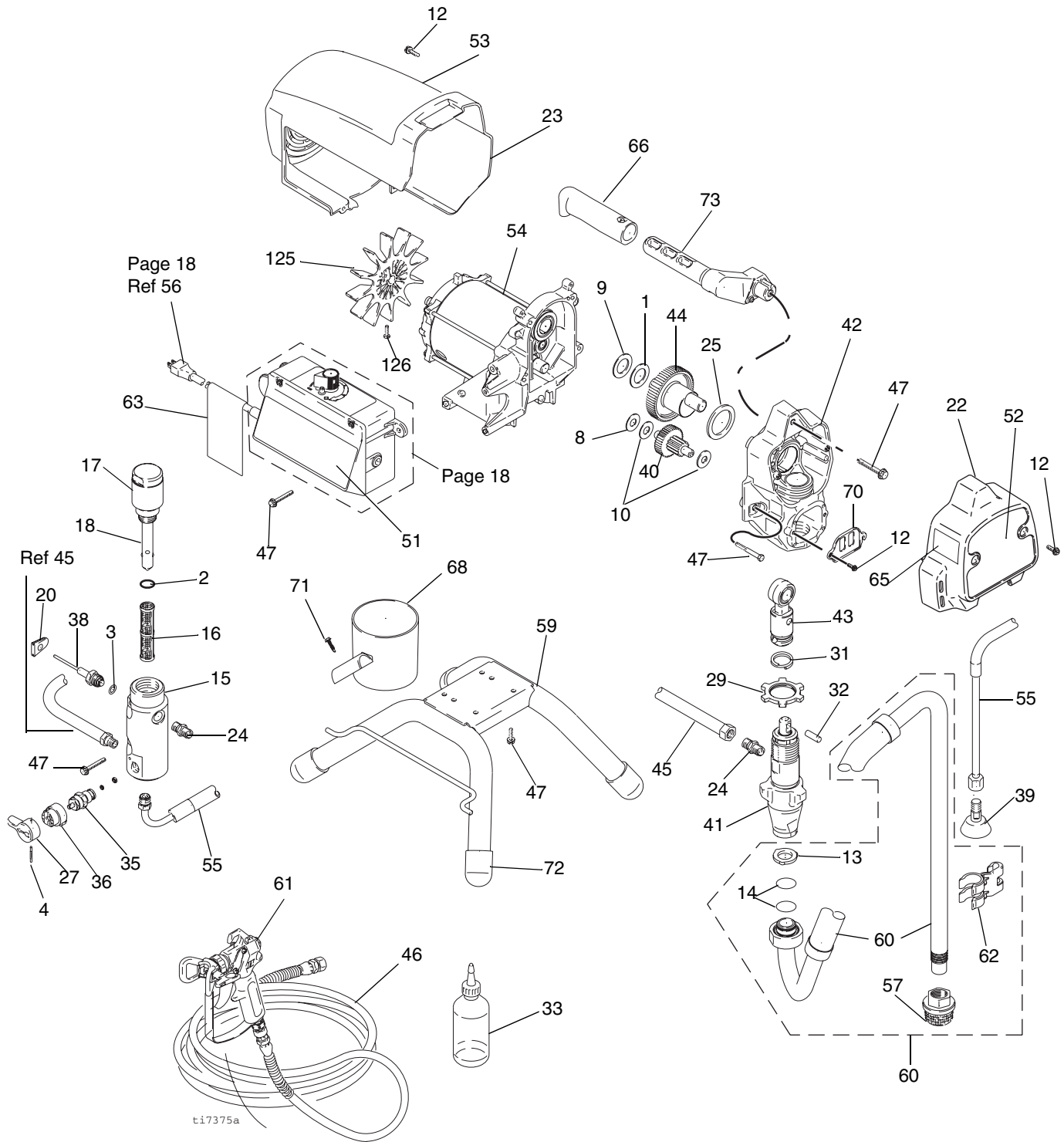
ti3251b

| Ref. | Part | Description | Qty. | Ref. | Part | Description | Qty. |
|------|--------|-------------------------------|------|--------|--------|-------------------------------|------|
| 6 | 115494 | SCREW, mach, phillips, pan hd | 6 | | | CONTROL BOARD (230V) | |
| 7 | 115498 | SCREW, mch, slot/hex, wash hd | 1 | 246380 | | 395, 495 Models | 1 |
| 11 | 116167 | KNOB, potentiometer | 1 | 287910 | | 595 Models | 1 |
| 12 | 117501 | SCREW, mach, hex washer hd | 4 | 50 | 287098 | DIGITAL DISPLAY (includes 51) | 1 |
| 19 | 15B118 | BUSHING, motor wire | 1 | 51 | 15K400 | LABEL, control | 1 |
| 30 | 195428 | BOOT, toggle | 1 | 56 | 15B471 | CORD, power (Euro Multi cord) | 1 |
| 37 | 256219 | POTENTIOMETER, assembly | 1 | 56a | 15B470 | CEE 7/7 | 1 |
| 47 | 117493 | SCREW, mach, hex washer hd | 4 | 56b | 15B469 | 110V | 1 |
| 48 | 276868 | BOX, control | 1 | 58 | 117492 | SWITCH, toggle | 1 |
| 49 | | CONTROL BOARD, 110V | | 90 | 195551 | RETAINER (230V) | 1 |
| | 246378 | 395, 495 Models | 1 | 91 | 242001 | CEE 7/7 | 1 |
| | 287909 | 595 Models | 1 | | 287121 | Italy, Denmark, Switzerland | 1 |

110V and 230V Wiring Diagram ST Max



Parts Drawing (Stand Assembly - ST Max II)



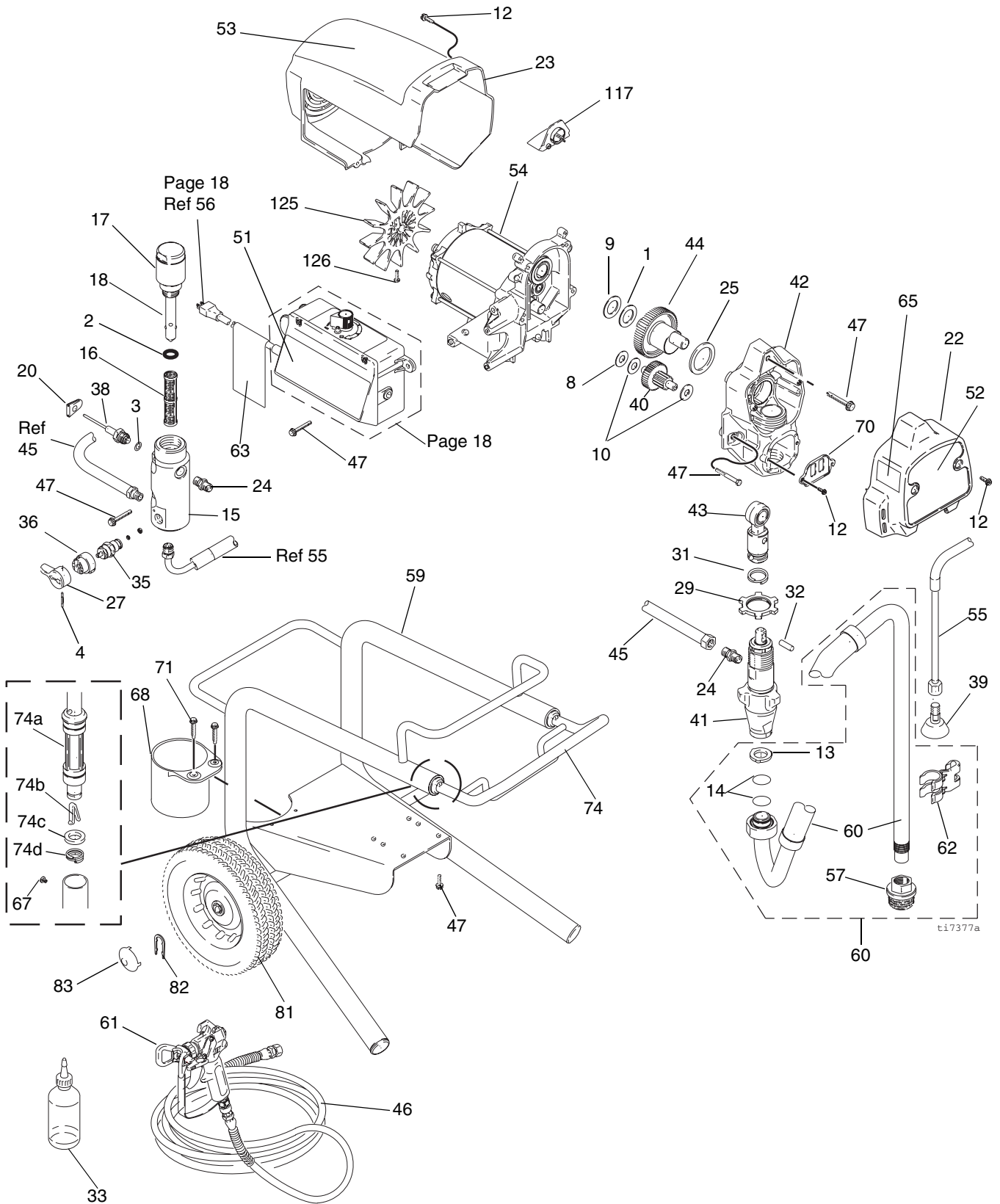
Parts List (Stand Assembly - ST Max II)

| Ref. | Part | Description | Qty. | Ref. | Part | Description | Qty. |
|------|--------|--|------|--------|---|--|------|
| 1 | 107434 | BEARING, thrust | 1 | 15K369 | 490 Models | 1 | |
| 2 | 117828 | PACKING, o-ring | 1 | 15K368 | 495 Models | 1 | |
| 3 | 111457 | PACKING, o-ring | 1 | 53 | LABEL, side | | |
| 4 | 111600 | PIN, grooved | 1 | 15K379 | 490 Models | 1 | |
| 8 | 116073 | WASHER, thrust | 1 | 15K380 | 495 Models | 1 | |
| 9 | 116074 | WASHER, thrust | 1 | 54 | MOTOR KIT, 110 VAC (includes 125, 126) | | |
| 10 | 116079 | BEARING, thrust | 2 | 24S016 | 490/495 Models, Series A and B (includes control box-not shown) | 1 | |
| 12 | 117501 | SCREW, mach, hex washer hd | 8 | 24S022 | 490/495 Models, Series C MOTOR KIT, 230 VAC (includes 125, 126) | 1 | |
| 13 | 115099 | WASHER, garden hose | 1 | 24S015 | 490/495 Models, Series A and B (includes control box-not shown) | 1 | |
| 14 | 117559 | O-RING | 2 | 24S022 | 490/495 Models, Series C | 1 | |
| 15 | 15G455 | MAINIFOLD, fluid | 1 | 24S015 | 490/495 Models, Series A and B (includes control box-not shown) | 1 | |
| 16† | 246384 | FILTER, fluid, 60 mesh | 1 | 24S022 | 490/495 Models, Series C | 1 | |
| 17 | 15G456 | CAP, manifold | 1 | 55 | 246381 | HOSE, drain, stand | 1 |
| 18 | 287167 | INSERT, filter | 1 | 57 | 246385 | STRAINER, 7/8-14 unf | 1 |
| 20 | 15B120 | GROMMET, transducer | 1 | 59 | 15E823 | FRAME, standmount | 1 |
| 22 | 287901 | COVER, front, Graco, paint (includes 65) | 1 | 60 | 246386 | KIT, hose suction (includes 13, 14, 57, 62) | 1 |
| 23 | 287900 | SHIELD, motor, painted (includes 12) | 1 | 61 | 288428 | GUN (includes manual 311861) | 1 |
| 24 | 162453 | NIPPLE, 1/4 npsm x 1/4 npt | 2 | 62 | 276888 | CLIP, drain line | 1 |
| 25 | 180131 | BEARING, thrust | 1 | 63▲ | 15H085 | LABEL, danger (hopper model only) | 1 |
| 27 | 187625 | HANDLE, valve, drain | 1 | 65▲ | 195793 | LABEL, warning (hopper model only) | 1 |
| 29 | 195150 | NUT, jam, pump | 1 | 66 | 116139 | GRIP, handle | 1 |
| 31 | 196750 | SPRING, retaining | 1 | 68 | 287903 | CUP, suction/drain | 1 |
| 32 | 196762 | PIN, straight | 1 | 70 | 15B589 | COVER, pump rod | 1 |
| 33 | 206994 | FLUID, TSL | 1 | 71 | 122667 | SCREW, drill, hex washer head | 1 |
| 34▲ | 222385 | TAG, Warning (not shown) | 1 | 72 | 15G857 | CAP, leg | 4 |
| 35 | 239914 | VALVE, drain | 1 | 73 | 276864 | HANDLE, sprayer (includes 47, 66) | 1 |
| 36 | 224807 | BASE, valve | 1 | 109▲ | 16G596 | LABEL, warning, intl (not shown) | 1 |
| 38 | 243222 | TRANSDUCER, pressure control (includes 3) | 1 | 124 | 288526 | KIT, accessory, hopper (not shown) | 1 |
| 39 | 241920 | DEFLECTOR, threaded | 1 | 125 | 15D088 | FAN, motor | 1 |
| 40 | 244242 | GEAR, reducer (includes 8, 10) | 1 | 126 | 115477 | SCREW | 1 |
| 41 | 246428 | PUMP, displacement, (includes 32) | 1 | | | | |
| 42 | 287899 | HOUSING, drive (includes 12, 70) | 1 | | | | |
| 43 | 287053 | ROD, connecting (includes 31, 32) | 1 | | | | |
| 44 | 287054 | GEAR, crankshaft (includes 1, 9, 25) | 1 | | | | |
| 45 | 287003 | HOSE, cpld | 1 | | | | |
| 46 | 240794 | HOSE, cpld, 1/4 in. x 50 ft | 1 | | | | |
| 47 | 117493 | SCREW, mach, hex washer hd | 13 | | | | |
| 51 | 15K401 | LABEL, intl, SmartControl | 1 | | | | |
| 52 | | LABEL, front | | | | | |

▲ Replacement Danger and Warning labels, tags, and cards are available at no cost

† Other filters available: 246382, 100 mesh; 246383, 200 mesh; 246425, 30 mesh

Parts Drawing (Lo-Boy Assembly - ST Max II)



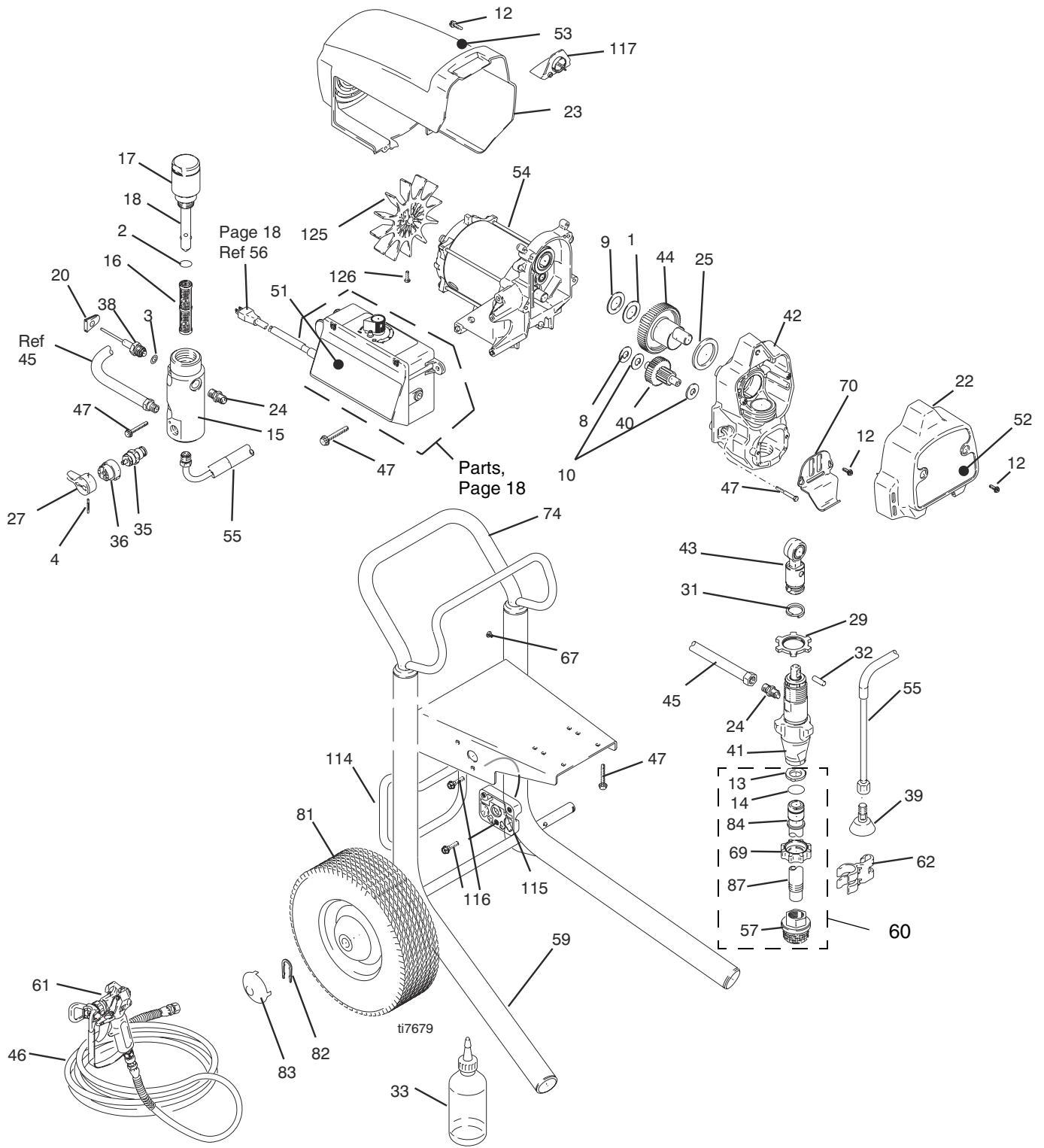
Parts List (Lo-Boy Assembly - ST Max II)

| Ref. | Part | Description | Qty. | Ref. | Part | Description | Qty. |
|------|--------|---|------|--------|--------|----------------------------------|------|
| 1 | 107434 | BEARING, thrust | 1 | 52 | | LABEL, front, Graco | |
| 2 | 117828 | PACKING, o-ring | 1 | | 15K369 | 490 Models | 1 |
| 3 | 111457 | PACKING, o-ring | 1 | | 15K368 | 495 Models | 1 |
| 4 | 111600 | Pin, grooved | 1 | | 15K367 | 595 Models | 1 |
| 8 | 116073 | WASHER, thrust | 1 | 53 | | LABEL, side, Graco | |
| 9 | 116074 | WASHER, thrust | 1 | | 15K379 | 490 Models | 1 |
| 10 | 116079 | BEARING, thrust | 2 | | 15K380 | 495 Models | 1 |
| 12 | 117501 | SCREW, mach, hex washer hd | 8 | | 15K382 | 595 Models | 1 |
| 13 | 115099 | WASHER, garden hose | 1 | 54 | | MOTOR KIT, 230 VAC | |
| 14 | 117559 | O-RING | 2 | | | (includes 125, 126) | |
| 15 | 15G455 | MAINIFOLD, fluid | 1 | 24S015 | | 490/495 Models, Series A and B | 1 |
| 16† | 246384 | FILTER, fluid, 60 mesh | 1 | | | (includes control box-not shown) | |
| 17 | 15G456 | CAP, manifold | 1 | 24S022 | | 490/495 Models, Series C | 1 |
| 18 | 287167 | INSERT, filter | 1 | | 287807 | 595 Models | 1 |
| 20 | 15B120 | GROMMET, transducer | 1 | 55 | 246381 | HOSE, drain, stand | 1 |
| 22 | 287901 | COVER, front, Graco, paint (includes 12, 65) | 1 | 57 | 246385 | STRAINER, m7/8-14 unf | 1 |
| | | | | 59 | 246250 | FRAME, cart. LO | 1 |
| 23 | 287900 | SHIELD, motor, painted (includes 12) | 1 | 60 | 246386 | KIT, hose suction | 1 |
| 24 | 162453 | NIPPLE, (1/4 npsm x 1/4 npt) | 2 | | | (includes 13, 14, 57, 62) | |
| 25 | 180131 | BEARING, thrust | 1 | 61 | 288428 | GUN (includes manual 311861) | 1 |
| 27 | 187625 | HANDLE, valve, drain | 1 | 62 | 276888 | CLIP, drain line | 1 |
| 29 | 195150 | NUT, jam, pump | 1 | 63▲ | 15H085 | LABEL, danger | 1 |
| 31 | 196750 | SPRING | 1 | | | (Models 253012, 253015) | |
| 32 | 196762 | PIN, straight | 1 | 65▲ | 195793 | LABEL, warning | 1 |
| 33 | 206994 | FLUID, TSL | 1 | | | (Models 253012, 253015) | |
| 34▲ | 222385 | TAG, Warning (not shown) | 1 | 67 | 109032 | SCREW, pan hd | 4 |
| 35 | 239914 | VALVE, drain | 1 | 68 | 15B870 | CUP, suction/drain | 1 |
| 36 | 224807 | BASE, valve | 1 | 70 | 15B589 | COVER, pump rod | 1 |
| 38 | 243222 | TRANSDUCER, pressure control (includes 3) | 1 | 71 | 122667 | SCREW, drill, hex washer head | 2 |
| | | | | 74 | 287488 | CAP, end, probe | 1 |
| 39 | 241920 | DEFLECTOR, threaded | 1 | 74a | 195501 | SLEEVE, cart | 2 |
| 40 | 244242 | GEAR, reducer (includes 8, 10) | 1 | 74b | 178565 | FITTING, fluid | 2 |
| 41 | 246428 | PUMP, displacement, (includes 32) | 1 | 74c | 195673 | WASHER | 2 |
| 42 | 287899 | HOUSING, drive (includes 12, 70) | 1 | 74d | 103117 | RING, retaining | 2 |
| 43 | 287053 | ROD, connecting (includes 31, 32) | 1 | 81 | 195766 | WHEEL, semi pneumatic | 2 |
| 44 | | GEAR, crankshaft | | 82 | 15B999 | CLIP, retaining | 2 |
| | 287054 | 490/495 Models (includes 1, 9, 25) | 1 | 83 | 104811 | CAP, hub | 2 |
| | 248231 | 595 Models (includes 1, 9, 25) | 1 | 109▲ | 16G596 | LABEL, warning, intl (not shown) | 1 |
| 45 | 287003 | HOSE, cpld | 1 | 117 | 15G447 | PLUG, shield, painted | 1 |
| 46 | 240794 | HOSE, cpld, 1/4 in. x 50 ft | 1 | 125 | 15D088 | FAN, motor | 1 |
| 47 | 117493 | SCREW, mach, hex washer hd | 12 | 126 | 115477 | SCREW, mach, torx/slt pan hd | 1 |
| 51 | 15K401 | LABEL, Ultra Max SmartControl | 1 | | | | |

▲ Replacement Danger and Warning labels, tags, and cards are available at no cost

† Other filters available: 246382, 100 mesh; 246383, 200 mesh; 246425, 30 mesh

Parts Drawing (Hi-Boy Assembly - ST Max II)



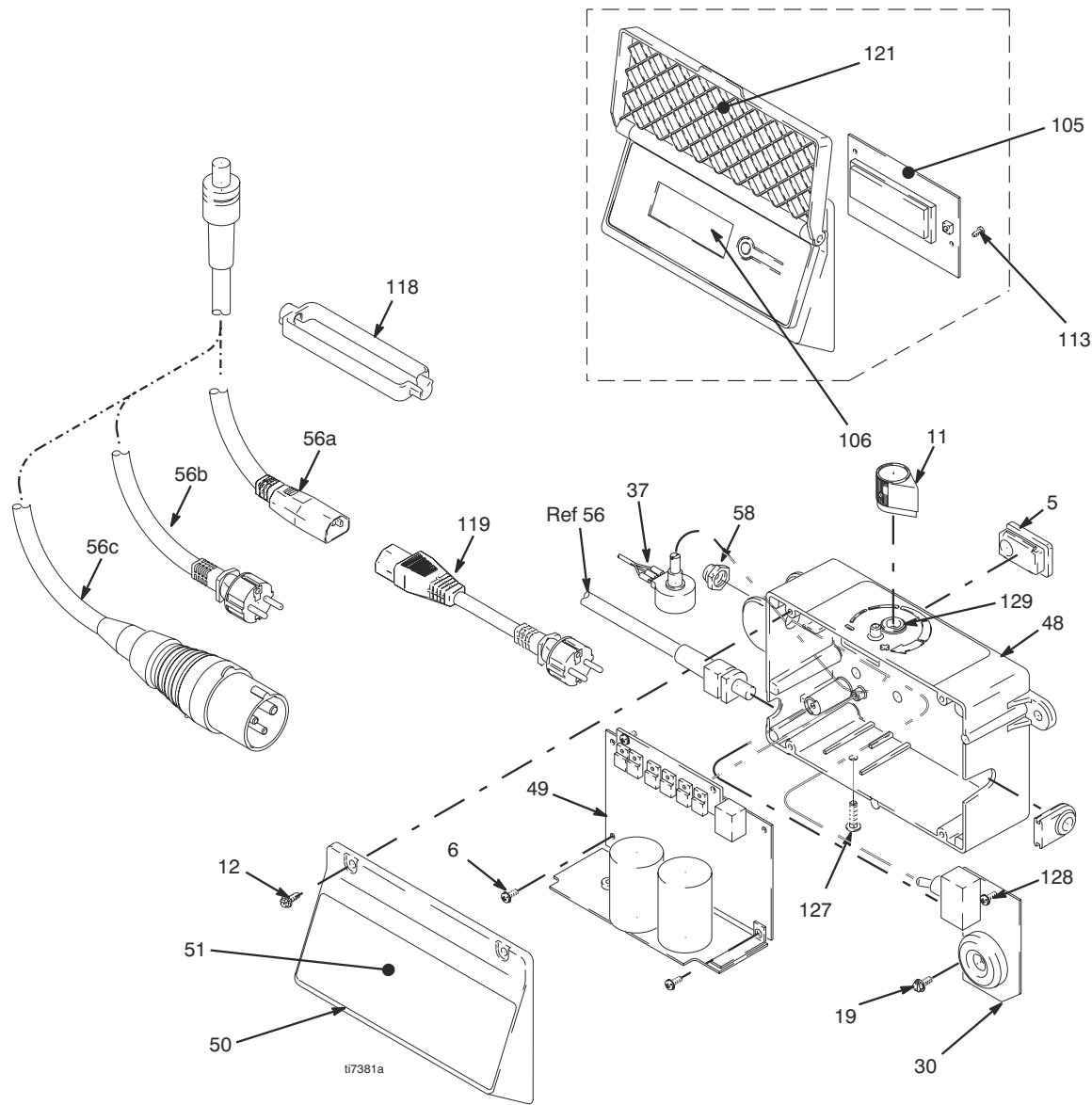
Parts List (Hi-Boy Assembly - ST Max II)

| Ref. | Part | Description | Qty. | Ref. | Part | Description | Qty. |
|------|--------|--|------|--------|--|--|------|
| 1 | 107434 | BEARING, thrust | 1 | 53 | | LABEL, ST Max II, side | |
| 2 | 117828 | PACKING, o-ring | 1 | 15K379 | 490 Models | | 1 |
| 3 | 111457 | PACKING, o-ring | 1 | 15K380 | 495 Models | | 1 |
| 4 | 111600 | PIN, grooved | 1 | 15K382 | 595 Models | | 1 |
| 8 | 116073 | WASHER, thrust | 1 | 54 | | MOTOR KIT, 110 VAC (includes 125, 126) | |
| 9 | 116074 | WASHER, thrust | 1 | 24S016 | 490/495 Models, Series A and B (includes control box-not shown) | | 1 |
| 10 | 116079 | BEARING, thrust | 2 | 24S022 | 490/495 Models, Series C | | 1 |
| 12 | 117501 | SCREW, mach, hex washer hd | 8 | 287807 | 595 Models | | 1 |
| 13 | 115099 | WASHER, garden hose | 1 | | MOTOR KIT, 230 VAC (includes 125, 126) | | |
| 14 | 103413 | O-RING | 1 | 24S015 | 490/495 Models, Series A and B (includes control box-not shown) | | 1 |
| 15 | 15G455 | MAINIFOLD, fluid | 1 | 24S022 | 490/495 Models, Series C | | 1 |
| 16† | 246384 | FILTER, fluid, 60 mesh | 1 | 287807 | 595 Models | | 1 |
| 17 | 15G456 | CAP, manifold (includes 18) | 1 | 55 | 243993 | HOSE, drain, (includes 39) | 1 |
| 18 | 287167 | INSERT, filter | 1 | 57 | 246385 | STRAINER, 7/8-14 unf | 1 |
| 20 | 15B120 | GROMMET, transducer | 1 | 59 | 287779 | FRAME, cart, HI | 1 |
| 22 | 287901 | COVER, front, Graco, paint (includes 12) | 1 | 60 | 246387 | KIT, stinger tube (includes 13, 14, 57, 69, 84, 87) | 1 |
| 23 | 287900 | SHIELD, motor, painted (includes 12) | 1 | 61 | 288428 | GUN (includes manual 311861) | 1 |
| 24 | 162453 | NIPPLE, (1/4 npsm x 1/4 npt) | 2 | 62 | 276888 | CLIP, drain line | 1 |
| 25 | 180131 | BEARING, thrust | 1 | 67 | 109032 | SCREW, pan hd | 4 |
| 27 | 187625 | HANDLE, valve, drain | 1 | 69 | 15E813 | NUT, jam | 1 |
| 29 | 195150 | NUT, jam, pump | 1 | 70 | 15C146 | HOOK, pail | 1 |
| 31 | 196750 | SPRING, retaining | 1 | 74 | 287489 | HANDLE | 1 |
| 32 | 196762 | PIN, straight | 1 | 81 | 106062 | WHEEL | 2 |
| 33 | 206994 | FLUID, TSL | 1 | 82 | 15B999 | CLIP, retaining | 2 |
| 34▲ | 222385 | TAG, Warning (not shown) | 1 | 83 | 104811 | CAP. hub | 2 |
| 35 | 239914 | VALVE, drain | 1 | 84 | 15B652 | WASHER, suction | 1 |
| 36 | 224807 | BASE, valve | 1 | 87 | 15B506 | TUBE, suction | 1 |
| 38 | 243222 | TRANSDUCER, pressure control (includes 3) | 1 | 109▲ | 16G596 | LABEL, warning, intl (not shown) | 1 |
| 39 | 241920 | DEFLECTOR, threaded | 1 | 114 | 15D281 | HANGER, stand | 1 |
| 40 | 244242 | GEAR, reducer (includes 8, 10) | 1 | 115 | 15C982 | CAM, cart | 2 |
| 41 | 246428 | PUMP, displacement, (includes 32) | 1 | 116 | 114531 | SCREW, mch, hex | 4 |
| 42 | 287899 | HOUSING, drive (includes 12, 47) | 1 | 117 | 15G447 | PLUG, tubing | 1 |
| 43 | 287053 | ROD, connecting (includes 31, 32) | 1 | 125 | 15D088 | FAN, motor | 1 |
| 44 | | GEAR, crankshaft | 1 | 126 | 115477 | SCREW | 1 |
| | 287054 | 490/495 Models (includes 1, 9, 25) | 1 | | | | |
| | 248231 | 595 Models (includes 1, 9, 25) | 1 | | | | |
| 45 | 287003 | HOSE, cpld | 1 | | | | |
| 46 | 240794 | HOSE, cpld, 1/4 in. x 50 ft | 1 | | | | |
| 47 | 117493 | SCREW, mach, hex washer hd | 12 | | | | |
| 51 | 15K401 | LABEL, SmartControl | 1 | | | | |
| 52 | | LABEL, ST Max II, front | 1 | | | | |
| | 15K369 | 490 Models | 1 | | | | |
| | 15K368 | 495 Models | 1 | | | | |
| | 15K367 | 595 Models | 1 | | | | |

▲ Replacement Danger and Warning labels, tags, and cards are available at no cost

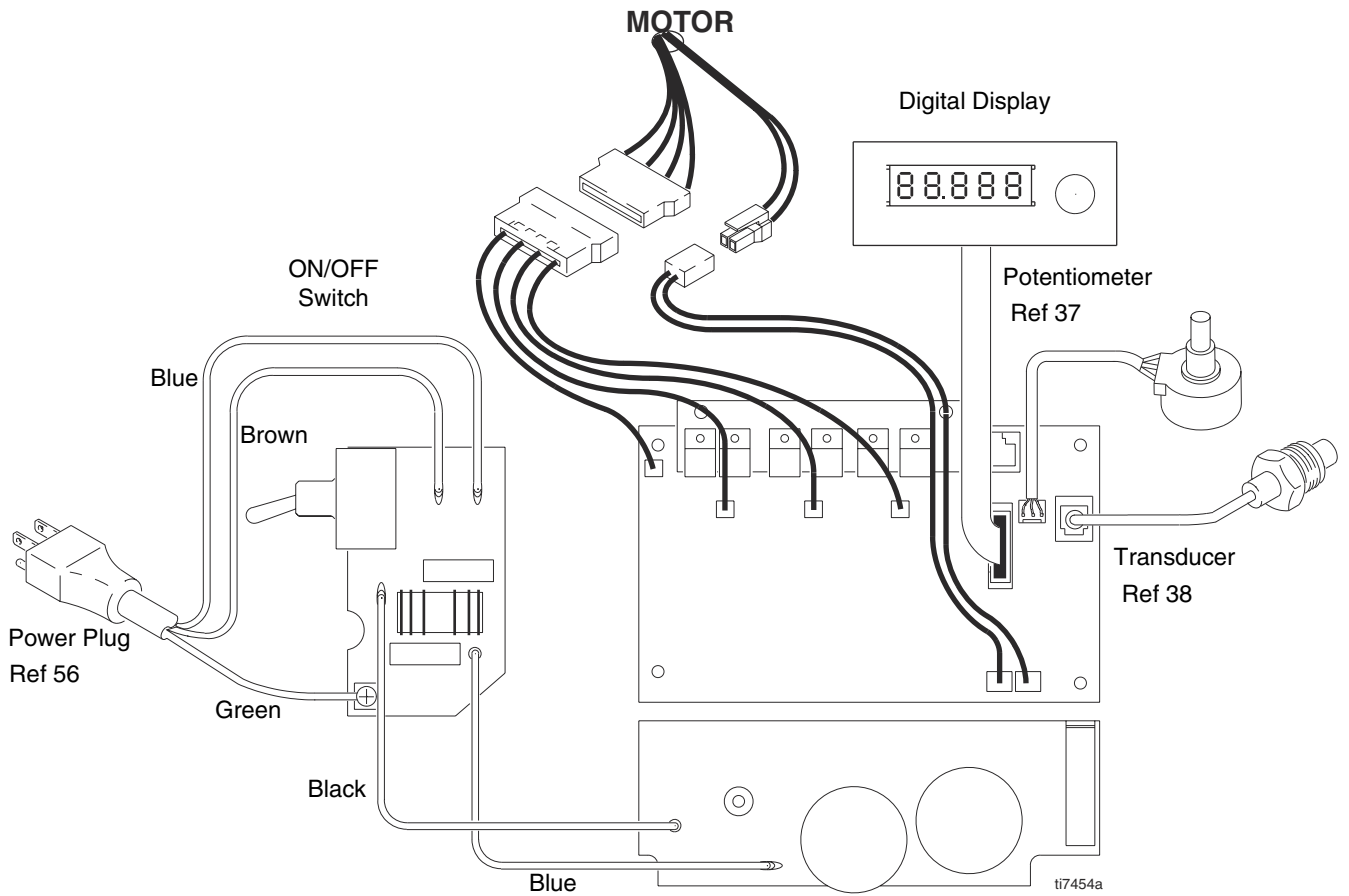
† Other filters available: 246382, 100 mesh; 246383, 200 mesh; 246425, 30 mesh

Control Box and Board ST Max II



| Ref. | Part | Description | Qty. | Ref. | Part | Description | Qty. |
|------|--------|---------------------------------|------|------|--------|----------------------------------|------|
| 5 | 15G562 | BUSHING, control box | 1 | 56a | 253368 | 110V | 1 |
| 6 | 115494 | SCREW, mach, phillips, pan hd | 5 | 56b | 253369 | CEE 7/7 | 1 |
| 11 | 116167 | KNOB, potentiometer | 1 | 56c | 253370 | Euro Multi | 1 |
| 12 | 117501 | SCREW, mach, hex washer hd | 4 | 58 | 195428 | BOOT, toggle | 1 |
| 19 | 115498 | SCREW, mach, slot, hex, wash hd | 1 | 105 | 287904 | BOARD, control LCD | 1 |
| 30 | 287912 | BOARD, filter, 110V Models | 1 | 106 | 15G861 | LABEL, smart control display | 1 |
| | 287913 | BOARD, filter, 230V Models | 1 | 113 | 115522 | SCREW, mch, pnh | 2 |
| 37 | 256219 | POTENTIOMETER, adjust, pressure | 1 | 118 | 195551 | RETAINER, plug, adapter | 1 |
| 48 | 287907 | BOX, control 230V Models | 1 | 119 | 242001 | CORD SET, adapter, CEE 7/7 | 1 |
| | 287908 | BOX, control 110V Models | 1 | | 287121 | CORD SET, Italy, Denmark, Sweden | 1 |
| 49 | 287909 | BOARD, control 110V models | 1 | 121 | 15G588 | LABEL, digital tracking | 1 |
| | 287910 | BOARD, control 230V models | 1 | 127 | 120165 | SCREW, mach, phillips, pan hd | 1 |
| 50 | 287789 | COVER, control box | 1 | 128 | 120406 | SCREW, mach, hex wash hd | 1 |
| 51 | 15K401 | LABEL, smart control | 1 | 129 | 158674 | O-RING, packing | 1 |
| 56 | | KIT, repair, cord, power | | | | | |

110V and 230V Wiring Diagram ST Max II



Graco Standard Warranty

Graco warrants all equipment referenced in this document which is manufactured by Graco and bearing its name to be free from defects in material and workmanship on the date of sale to the original purchaser for use. With the exception of any special, extended, or limited warranty published by Graco, Graco will, for a period of twelve months from the date of sale, repair or replace any part of the equipment determined by Graco to be defective. This warranty applies only when the equipment is installed, operated and maintained in accordance with Graco's written recommendations.

This warranty does not cover, and Graco shall not be liable for general wear and tear, or any malfunction, damage or wear caused by faulty installation, misapplication, abrasion, corrosion, inadequate or improper maintenance, negligence, accident, tampering, or substitution of non-Graco component parts. Nor shall Graco be liable for malfunction, damage or wear caused by the incompatibility of Graco equipment with structures, accessories, equipment or materials not supplied by Graco, or the improper design, manufacture, installation, operation or maintenance of structures, accessories, equipment or materials not supplied by Graco.

This warranty is conditioned upon the prepaid return of the equipment claimed to be defective to an authorized Graco distributor for verification of the claimed defect. If the claimed defect is verified, Graco will repair or replace free of charge any defective parts. The equipment will be returned to the original purchaser transportation prepaid. If inspection of the equipment does not disclose any defect in material or workmanship, repairs will be made at a reasonable charge, which charges may include the costs of parts, labor, and transportation.

THIS WARRANTY IS EXCLUSIVE, AND IS IN LIEU OF ANY OTHER WARRANTIES, EXPRESS OR IMPLIED, INCLUDING BUT NOT LIMITED TO WARRANTY OF MERCHANTABILITY OR WARRANTY OF FITNESS FOR A PARTICULAR PURPOSE.

Graco's sole obligation and buyer's sole remedy for any breach of warranty shall be as set forth above. The buyer agrees that no other remedy (including, but not limited to, incidental or consequential damages for lost profits, lost sales, injury to person or property, or any other incidental or consequential loss) shall be available. Any action for breach of warranty must be brought within two (2) years of the date of sale.

GRACO MAKES NO WARRANTY, AND DISCLAIMS ALL IMPLIED WARRANTIES OF MERCHANTABILITY AND FITNESS FOR A PARTICULAR PURPOSE, IN CONNECTION WITH ACCESSORIES, EQUIPMENT, MATERIALS OR COMPONENTS SOLD BUT NOT MANUFACTURED BY GRACO. These items sold, but not manufactured by Graco (such as electric motors, switches, hose, etc.), are subject to the warranty, if any, of their manufacturer. Graco will provide purchaser with reasonable assistance in making any claim for breach of these warranties.

In no event will Graco be liable for indirect, incidental, special or consequential damages resulting from Graco supplying equipment hereunder, or the furnishing, performance, or use of any products or other goods sold hereto, whether due to a breach of contract, breach of warranty, the negligence of Graco, or otherwise.

FOR GRACO CANADA CUSTOMERS

The Parties acknowledge that they have required that the present document, as well as all documents, notices and legal proceedings entered into, given or instituted pursuant hereto or relating directly or indirectly hereto, be drawn up in English. Les parties reconnaissent avoir convenu que la rédaction du présente document sera en Anglais, ainsi que tous documents, avis et procédures judiciaires exécutés, donnés ou intentés, à la suite de ou en rapport, directement ou indirectement, avec les procédures concernées.

Graco Information

For the latest information about Graco products, visit www.graco.com.

For patent information, see www.graco.com/patents.

TO PLACE AN ORDER, contact your Graco distributor or call 1-800-690-2894 to identify the nearest distributor.

*All written and visual data contained in this document reflects the latest product information available at the time of publication.
Graco reserves the right to make changes at any time without notice.*

For patent information, see www.graco.com/patents.

Original instructions. This manual contains English. MM 309706

Graco Headquarters: Minneapolis

International Offices: Belgium, China, Japan, Korea

GRACO INC. AND SUBSIDIARIES • P.O. BOX 1441 • MINNEAPOLIS MN 55440-1441 • USA

Copyright 2011, Graco Inc. All Graco manufacturing locations are registered to ISO 9001.

www.graco.com

Revised November 2013