

Parts






Ultra® 395/495/595 Ultra Max II 490/495/595

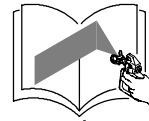
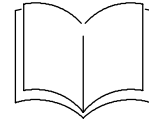
309707S

EN

3300 psi (228 bar, 22.8 MPa) Maximum Working Pressure

Vac	Make	Model		*		*		*
230	Ultra	395	234180 249589	B				
	Ultra	495	234183	A	234181	A	234182	A
	Ultra	595			248660	A	234439	A
100	Ultra	495	234186	A	233974	A		
230	Ultra Max II	490	249932	C				
	Ultra Max II	495	249933	C	253104	C	253105	C
	Ultra Max II	595			253107	B	249934	B
100	Ultra Max II	495	249938	C	253106	C		
* Series								

Related manuals



..... 309725



..... 309250



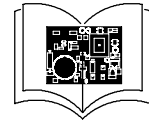
..... 311861



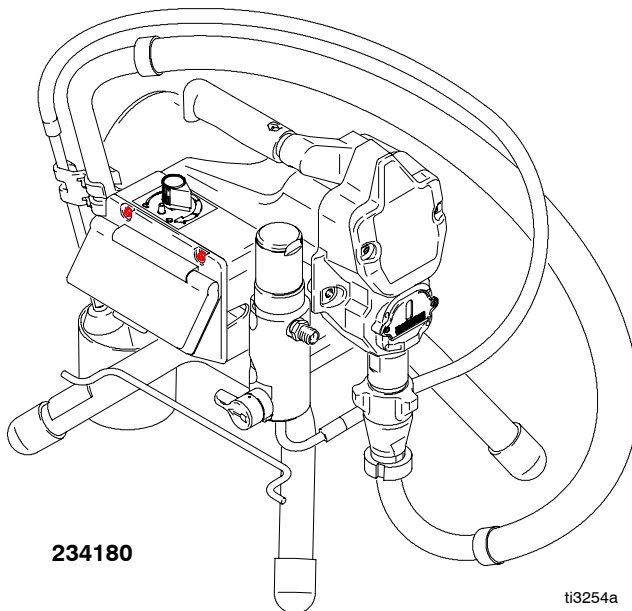
..... 309055



..... 309674



..... 309709



234180

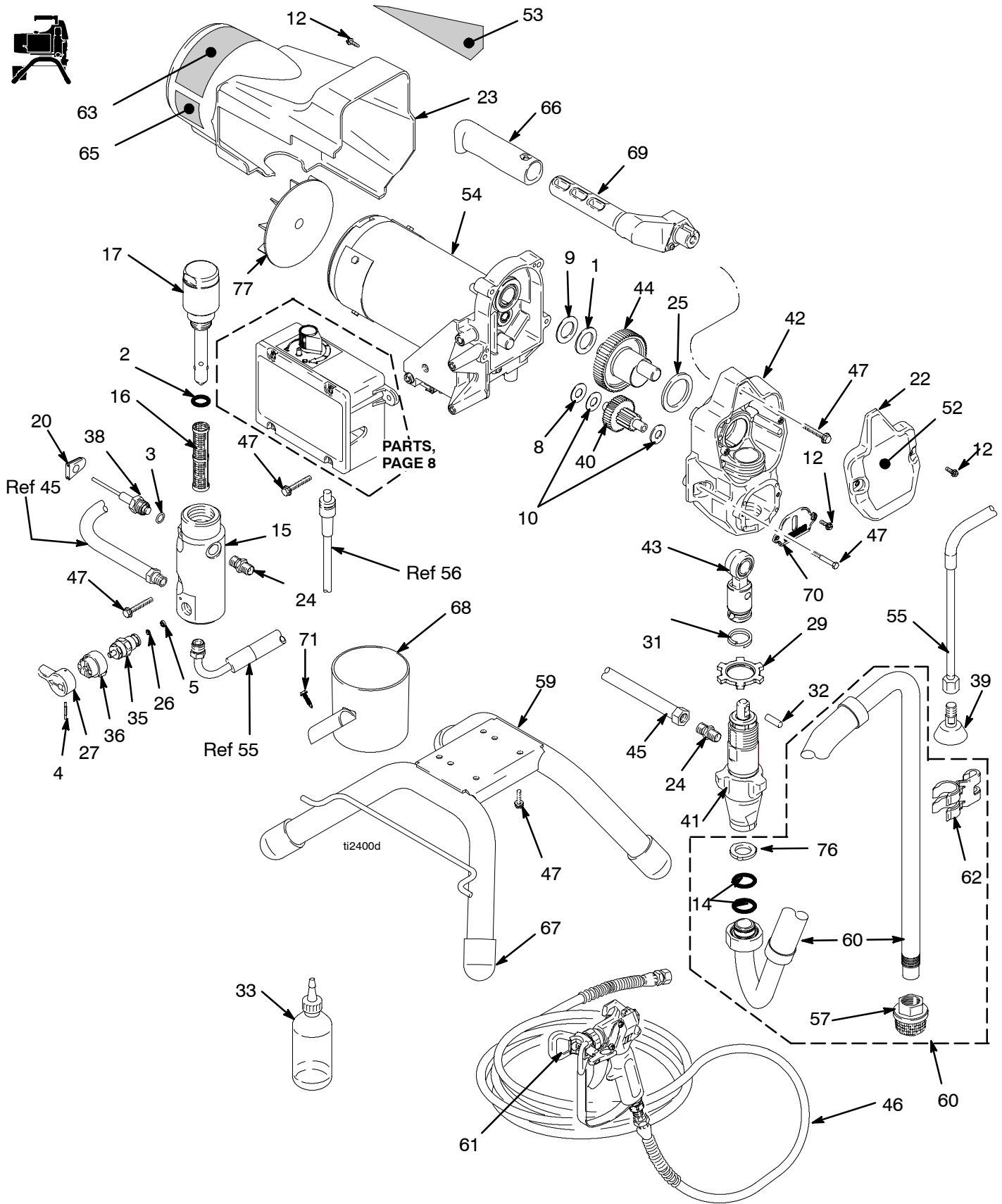
ti3254a



Important Safety Instructions

Read all warnings and instructions in Operation manual 309725. Save the instructions.

Parts Drawing - Ultra Stand Sprayers



Parts List - Ultra Stand Sprayers



234180, 234183, 234186, 249589

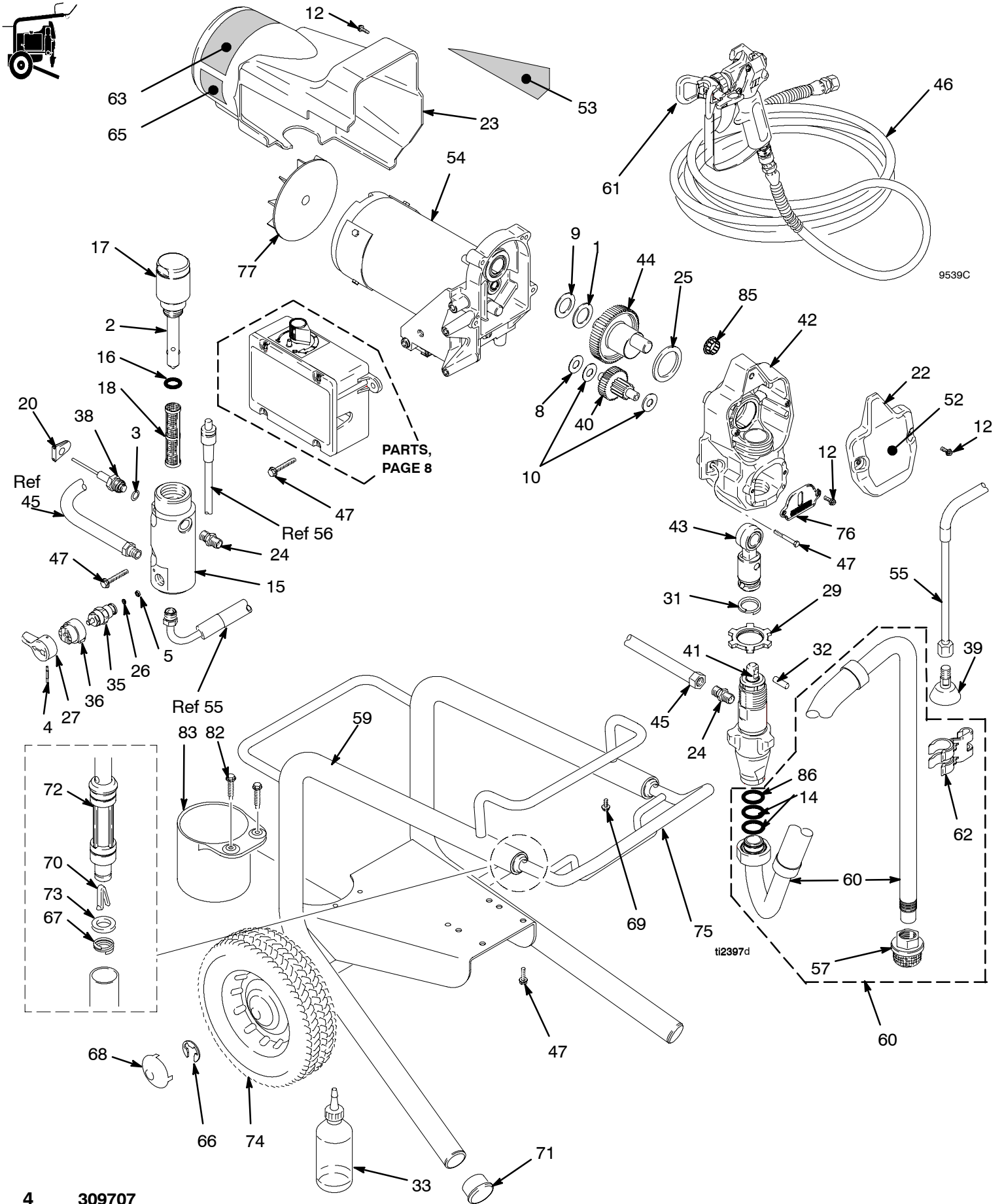
Ref.	Part	Description	Qty.	Ref.	Part	Description	Qty.
1	107434	BEARING, thrust	1	46	240794	HOSE, cpld, 1/4 in. x 50 ft	1
2	117828	PACKING, o-ring	1	47	117493	SCREW, mach, hex washer hd	11
3	111457	PACKING, o-ring	1	52		LABEL, front, Graco	
4	111600	PIN, grooved	1		15K395	Ultra 395	1
5	111699	GASKET, seat, valve	1		15B255	Ultra 495	1
8	116073	WASHER, thrust	1		15G330	Ultra 395 (249589)	1
9	116074	WASHER, thrust	1	53		LABEL, side, Graco	1
10	116079	BEARING, thrust	2		15K392	Ultra 395	1
12	117501	SCREW, mach, hex washer hd	6		15B495	Ultra 495	1
14	117559	O-RING	2		15G343	Ultra 395 (249589)	1
15	15G455	MANIFOLD, fluid	1	54		MOTOR	
16	246384†	FILTER, fluid, 60 mesh	1		287060*	230V, Ultra 395/495; includes 77	1
17	287167	CAP, manifold	1		287015*	110V, Ultra 495; includes 77	1
20	15B120	GROMMET, transducer	1	55	246381	HOSE, drain, stand	1
22	287058	COVER, front, Graco, paint	1			includes 39, 62	
23	287056	SHIELD, motor, painted	1	57	246385	STRAINER, 7/8-14 unf	1
24	162453	NIPPLE, (1/4 npsm x 1/4 npt)	2	59	15E823	FRAME, standmount	1
25	180131	BEARING, thrust	1	60	246386	KIT, hose suction	1
26	15E022	SEAT, valve	1			includes 14, 57, 62, 76	
27	187625	HANDLE, valve, drain	1	61		GUN, includes Manuals 311861,	1
29	195150	NUT, jam, pump	1			312287, 312288, 312289	
31	196750	SPRING, retaining	1		288436	230V Ultra 395/495	1
32	196762	PIN, straight	1		288427	110V Ultra 495	1
33	206994	FLUID, TSL	1	62	276888	CLIP, drain line	1
35	235014	VALVE, drain	1	63	15B517▲	LABEL, danger	1
		includes 5, 26		65	195792▲	LABEL, warning	1
36	224807	BASE, valve	1	66	116139	GRIP, handle	1
38	243222	TRANSDUCER, pressure control	1	67	15G857	CAP, leg	4
		includes 3		68	287903	CUP, suction/drain	1
39	241920	DEFLECTOR, threaded	1	69	287072	HANDLE, sprayer	1
40	244242	GEAR, reducer	1			includes 47, 66	
		includes 8, 10		70	15B589	COVER, pump rod	1
41	246428	PUMP, displacement	1	71	122667	SCREW, drill, hex washer head	1
		includes 32		76	115099	WASHER, garden hose	1
42	287055	HOUSING, drive	1	77	248189	FAN, motor	1
		includes 12, 70					
43	287053	ROD, connecting	1				
		includes 31, 32					
44	287054	GEAR, crankshaft	1				
		includes 1, 9, 25					
45	287003	HOSE, cpld	1				

▲Extra Danger and Warning tags and labels available free.

* Motor Brush Kit 287735 is available.

† Other filters available: 246382, 100 mesh; 246383, 200 mesh; 246425, 30 mesh

Parts Drawing - Ultra Lo-Boy Sprayers



Parts List - Ultra Lo-Boy Sprayers



234181, 233974, 248660

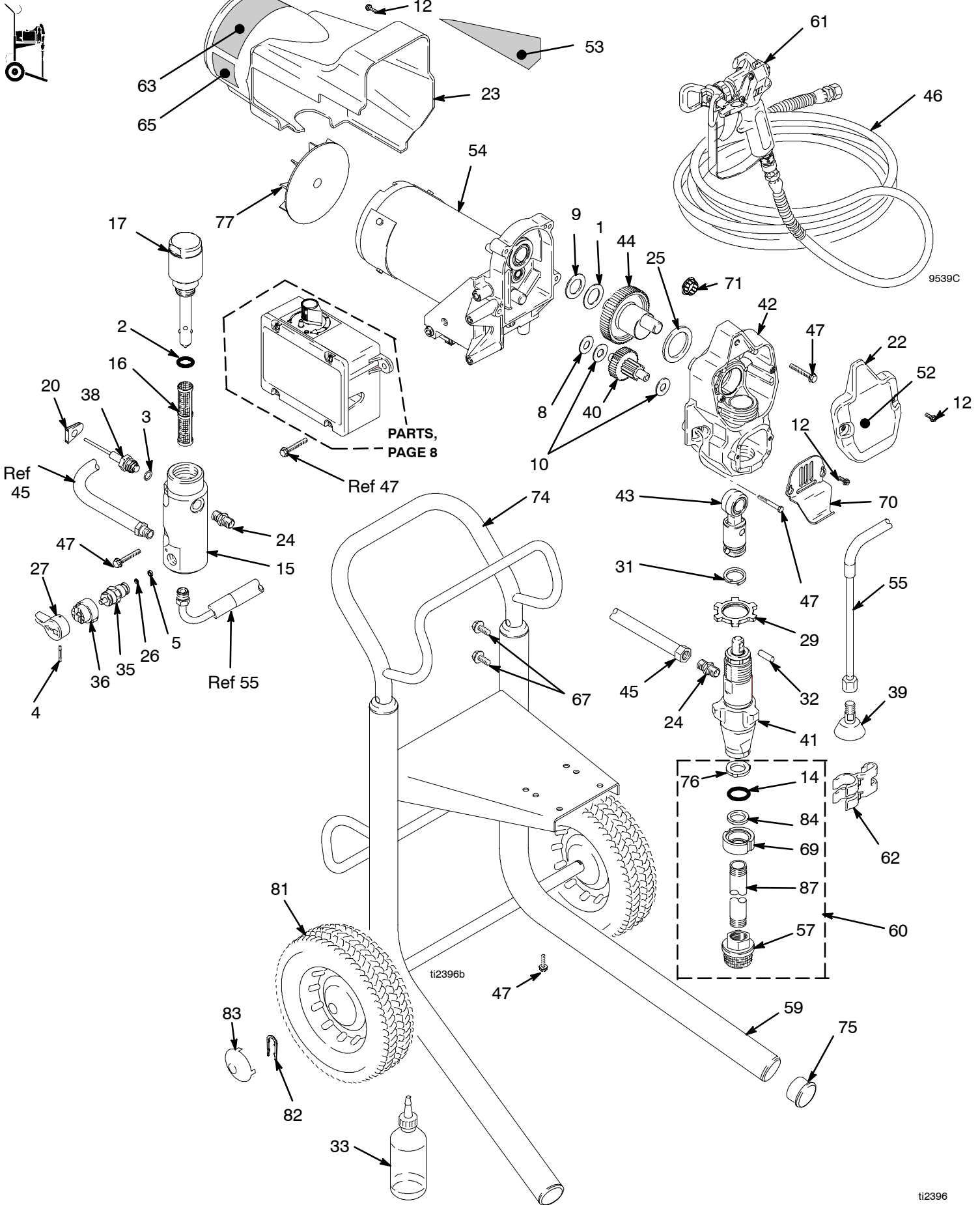
Ref.	Part	Description	Qty.	Ref.	Part	Description	Qty.
1	107434	BEARING, thrust	1		15K395	Ultra 395	1
2	117828	PACKING, o-ring	1		15B255	Ultra 495	1
3	111457	PACKING, o-ring	1		15D161	Ultra 595	1
4	111600	PIN, grooved	1	53		LABEL, side, Graco	1
5	111699	GASKET, seat, valve	1		15K392	Ultra 395	1
8	116073	WASHER, thrust	1		15B495	Ultra 495	1
9	116074	WASHER, thrust	1		15D165	Ultra 595	1
10	116079	BEARING, thrust	2	54	287060*	Motor 230V	
12	117501	SCREW, mach, hex washer hd	6			Ultra 495/595; includes 77	1
14	117559	O-RING	2		287015*	Motor 110V	
15	15G455	MANIFOLD, fluid	1			Ultra 495; includes 77	1
16	246384†	FILTER, fluid, 60 mesh	1	55	246381	HOSE, drain, stand	1
17	287167	CAP, manifold	1			includes 39, 62	
18	287167	INSERT, filter	1	57	246385	STRAINER, 7/8-14 unf	1
20	15B120	GROMMET, transducer	1	59	246250	FRAME, cart, LO	1
22	287058	COVER, front, Graco, paint	1	60	246386	KIT, hose suction	1
23	287056	SHIELD, motor, painted	1			includes 14, 57, 62, 86	
24	162453	NIPPLE, (1/4 npsm x 1/4 npt)	2	61		GUN, includes Manuals 311861, 312287, 312288, 312289	1
25	180131	BEARING, thrust	1			230V Ultra 395/495	1
26	15E022	SEAT, valve	1		288436	110V Ultra 495	1
27	187625	HANDLE, valve, drain	1		288427	CLIP, drain line	1
29	195150	NUT, jam, pump	1	62	276888	LABEL, danger	1
31	196750	SPRING, retaining	1	63	15B517▲	LABEL, warning	1
32	196762	PIN, straight	1	65	195792▲	CLIP, retaining	2
33	206994	FLUID, TSL	1	66	15B999	RING, retaining	2
35	235014	VALVE, drain	1	67	103117	CAP, hub	2
		includes 5, 26		68	104811	SCREW, pan hd	4
36	224807	BASE, valve	1	69	109032	BUTTON, snap	2
38	243222	TRANSDUCER, pressure control	1	70	178565	PLUG, button	1
		includes 3		71	180656	SLEEVE, cart	2
39	241920	DEFLECTOR, threaded	1	72	195501	WASHER	2
40	244242	GEAR, reducer	1	73	195673	WHEEL, semi pneumatic	2
		includes 8, 10		74	195766	HANDLE, assembly	1
41	246428	PUMP, displacement	1	75	243205	COVER, pump rod	1
		includes 32		76	15B589	FAN, motor	1
42	287055	HOUSING, drive	1	77	248189	SCREW, drill	2
		includes 12, 70		82	122667	CUP, suction/drain	1
43	287053	ROD, connecting	1	83	15B870	PLUG, hole	1
		includes 31, 32		85	115979	WASHER, garden hose	1
44	287054	GEAR, crankshaft	1	86	115099		
		includes 1, 9, 25					
45	287003	HOSE, cpld	1				
46	240794	HOSE, cpld, 1/4 in. x 50 ft	1				
47	117493	SCREW, mach, hex washer hd	10				
52		LABEL, front, Graco					

▲Extra Danger and Warning tags and labels available free.

* Motor Brush Kit 287735 is available

Other filters available: 246382, 100 mesh; 246383, 200 mesh; 246425, 30 mesh

Parts Drawing - Hi-Boy Ultra Sprayers



Parts List - Ultra Hi-Boy Sprayers



234182, 234439

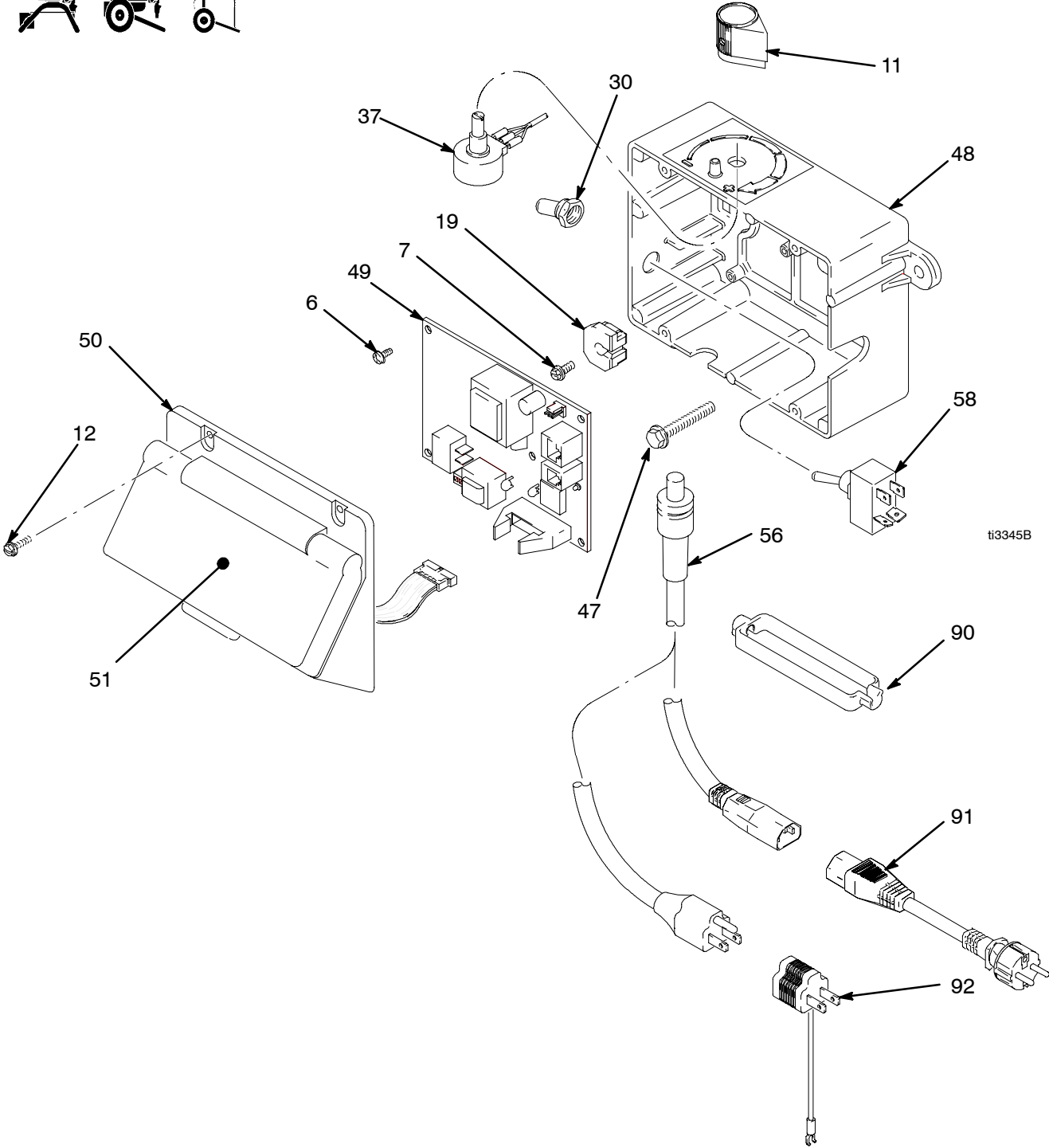
Ref.	Part	Description	Qty.	Ref.	Part	Description	Qty.
1	107434	BEARING, thrust	1	45	287003	HOSE, cpld	1
2	117828	PACKING, o-ring	1	46	240794	HOSE, cpld, 1/4 in. x 50 ft, unpkg	1
3	111457	PACKING, o-ring	1	47	117493	SCREW, mach, hex washer hd	10
4	111600	PIN, grooved	1	52		LABEL, front, Graco	
5	111699	GASKET, seat, valve	1		15K395	395	1
8	116073	WASHER, thrust	1		15B255	495	1
9	116074	WASHER, thrust	1		15D161	595	1
10	116079	BEARING, thrust	2	53		LABEL, side, Graco	
12	117501	SCREW, mach, hex washer hd	6		15K392	395	1
14	103413	O-RING	1		15B495	495	1
15	15G455	MANIFOLD, fluid	1		15D165	595	1
16	246384†	FILTER, fluid, 60 mesh	1	54		MOTOR, 230V; includes 77	
17	287167	CAP, manifold	1		287060*	495/595	1
20	15B120	GROMMET, transducer	1	55	244240	HOSE, drain; includes 39	1
22	287058	COVER, front, Graco, paint; includes 12	1	57	246385	STRAINER, 7/8-14 unf	1
23	287056	SHIELD, motor, painted; includes 12, 63, 65	1	59	245984	FRAME, cart, HI	1
24	162453	NIPPLE, (1/4 npsm x 1/4 npt)	2	60	246387	KIT, stinger, tube includes 14, 57, 69, 76, 84, 87	1
25	180131	BEARING, thrust	1	61	288436	GUN, includes Manuals 311861, 312287, 312288, 312289	1
26	15E022	SEAT, valve	1	62	276888	CLIP, drain line	1
27	187625	HANDLE, valve, drain	1	63▲	15B517	LABEL, danger	1
29	195150	NUT, jam, pump	1	65▲	195792	LABEL, warning	1
31	196750	SPRING, retaining	1	67	109032	SCREW, pan hd	4
32	196762	PIN, straight	1	69	15E813	NUT, jam	1
33	206994	FLUID, TSL	1	70	15C146	HOOK, pail	1
35	235014	VALVE, drain includes 5, 26	1	71	115979	PLUG, hole	1
36	224807	BASE, valve	1	74	287489	HANDLE	1
38	243222	TRANSDUCER, pressure control includes 3	1	75	108691	PLUG, tubing	2
39	241920	DEFLECTOR, threaded	1	76	115099	WASHER	1
40	244242	GEAR, reducer includes 8, 10	1	77	248189	FAN, motor	1
41	246428	PUMP, displacement	1	81	106062	WHEEL	2
42	287055	HOUSING, drive includes 12, 47	1	82	15B999	CLIP, retaining	2
43	287053	ROD, connecting includes 31, 32	1	83	104811	CAP, hub	2
44		GEAR, crankshaft; includes 1, 9, 25		84	15B652	WASHER, suction	1
	287054	495	1	87	15B506	TUBE, suction	1
	248231	595	1				

▲Extra Danger and Warning tags and labels available free.

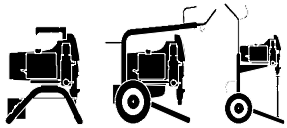
* Motor Brush Kit 287735 is available

† Other filters available: 246382, 100 mesh; 246383, 200 mesh; 246425, 30 mesh

Parts Drawing - Control Box and Board Ultra

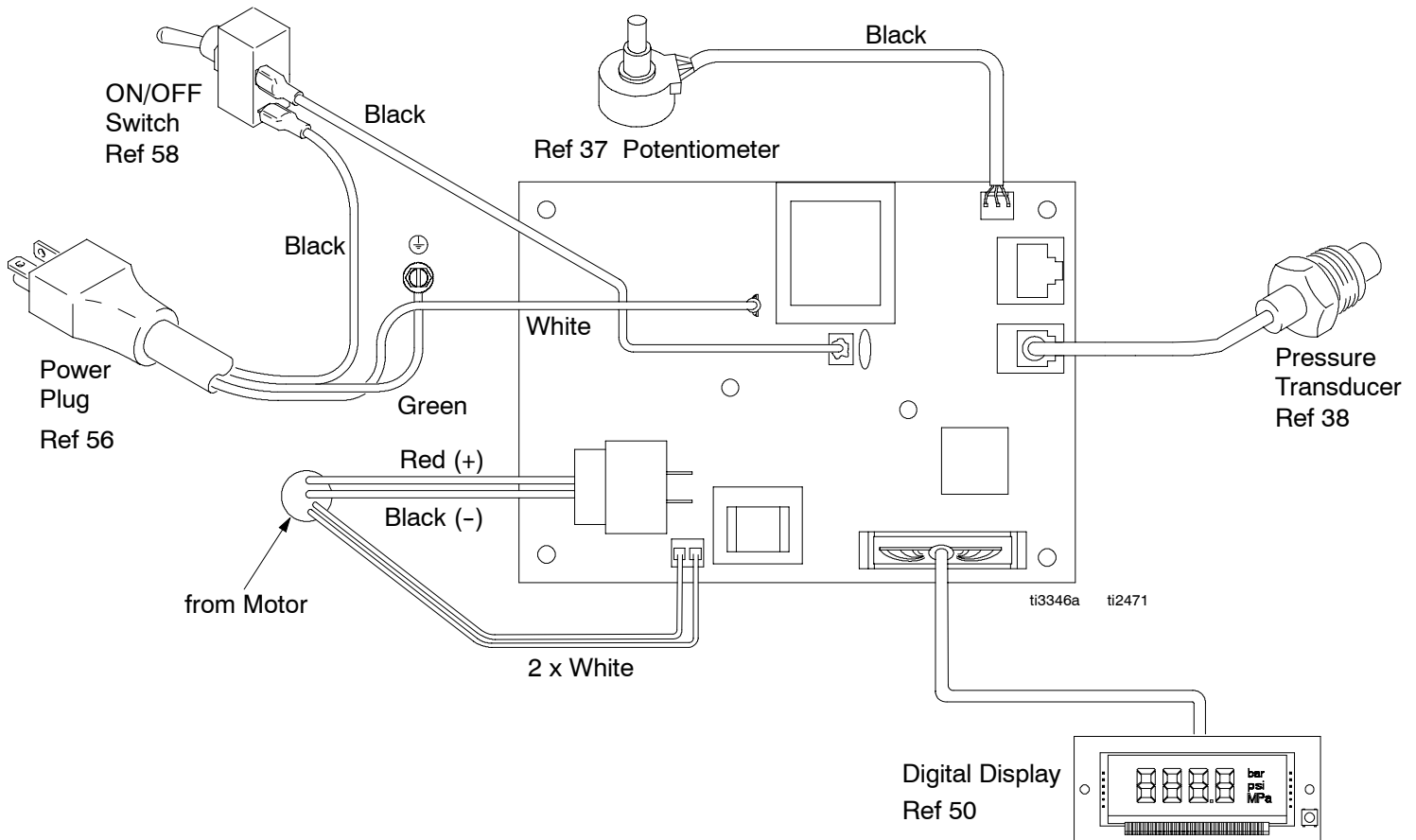


Parts List - Control Box and Board Ultra

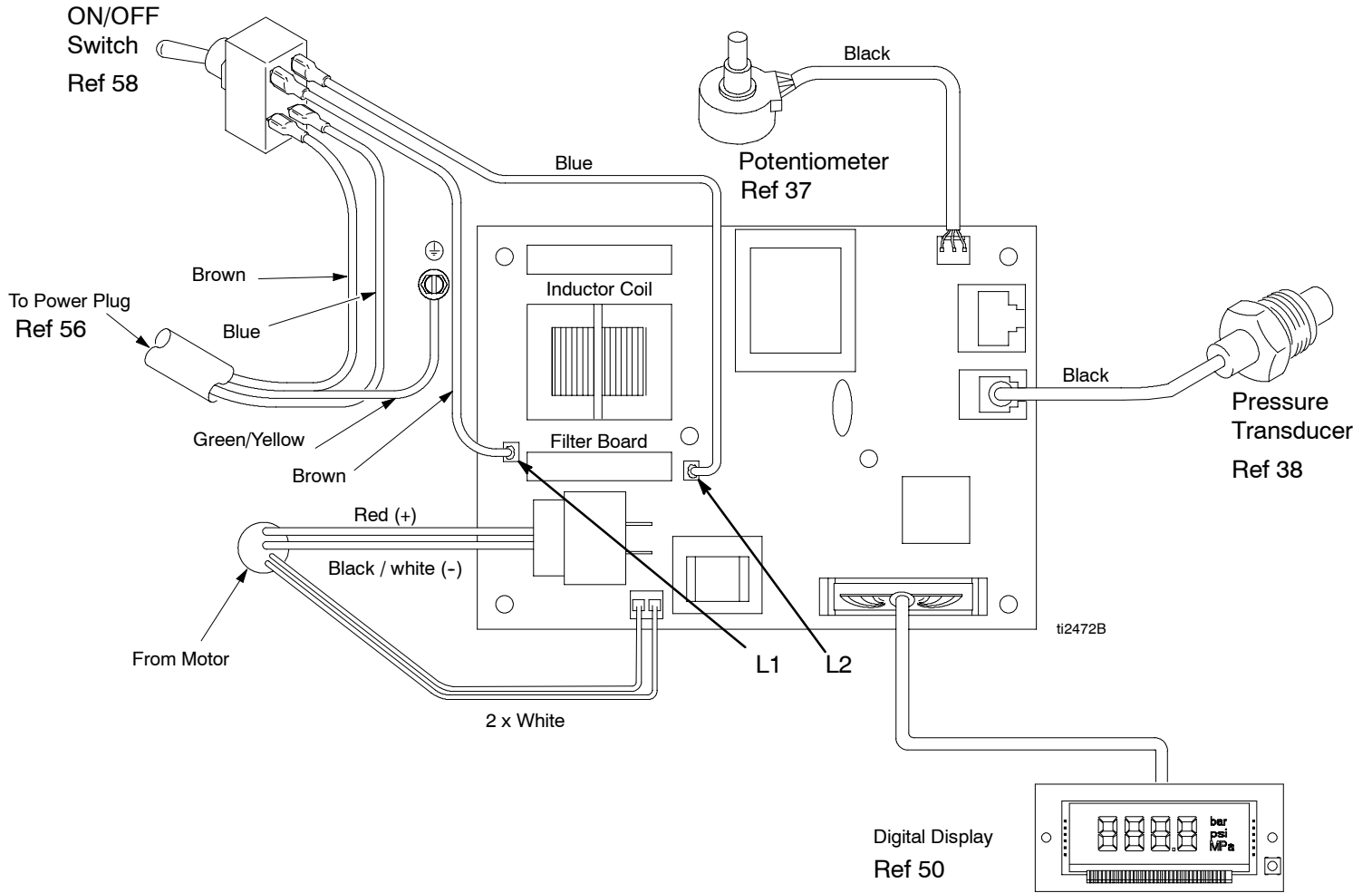


Ref.	Part	Description	Qty.	Ref.	Part	Description	Qty.
6	115494	SCREW, mach, phillps, pan hd	6	51	15C019	LABEL, control	1
7	115498	SCREW, mch, slot/hex, wash hd	1		15G344 (249589)		1
11	116167	KNOB, potentiometer	1	56		CORD, power	
12	117501	SCREW, mach, hex washer hd	4		15J743	110V	1
19	15B118	BUSHING, motor wire	1		15B471	230V	1
30	195428	BOOT, toggle	1	58		SWITCH, toggle	
37	256219	POTENTIOMETER, assembly	1		195429	110V	1
47	117493	SCREW, mach, hex washer hd	2		117492	230V	1
48	276868	BOX, control	1	90	195551	RETAINER, 230V	1
49		CONTROL BOARD		91		CORD	
	246379	495; 110V	1		242001	CEE 7/7	1
	246380	395/495; 230V	1		242005	AUSTRALIA	1
	287910	595; 230V	1	92	244285	ADAPTER	1
50	287098	DIGITAL DISPLAY	1				

110V Wiring Diagram Ultra

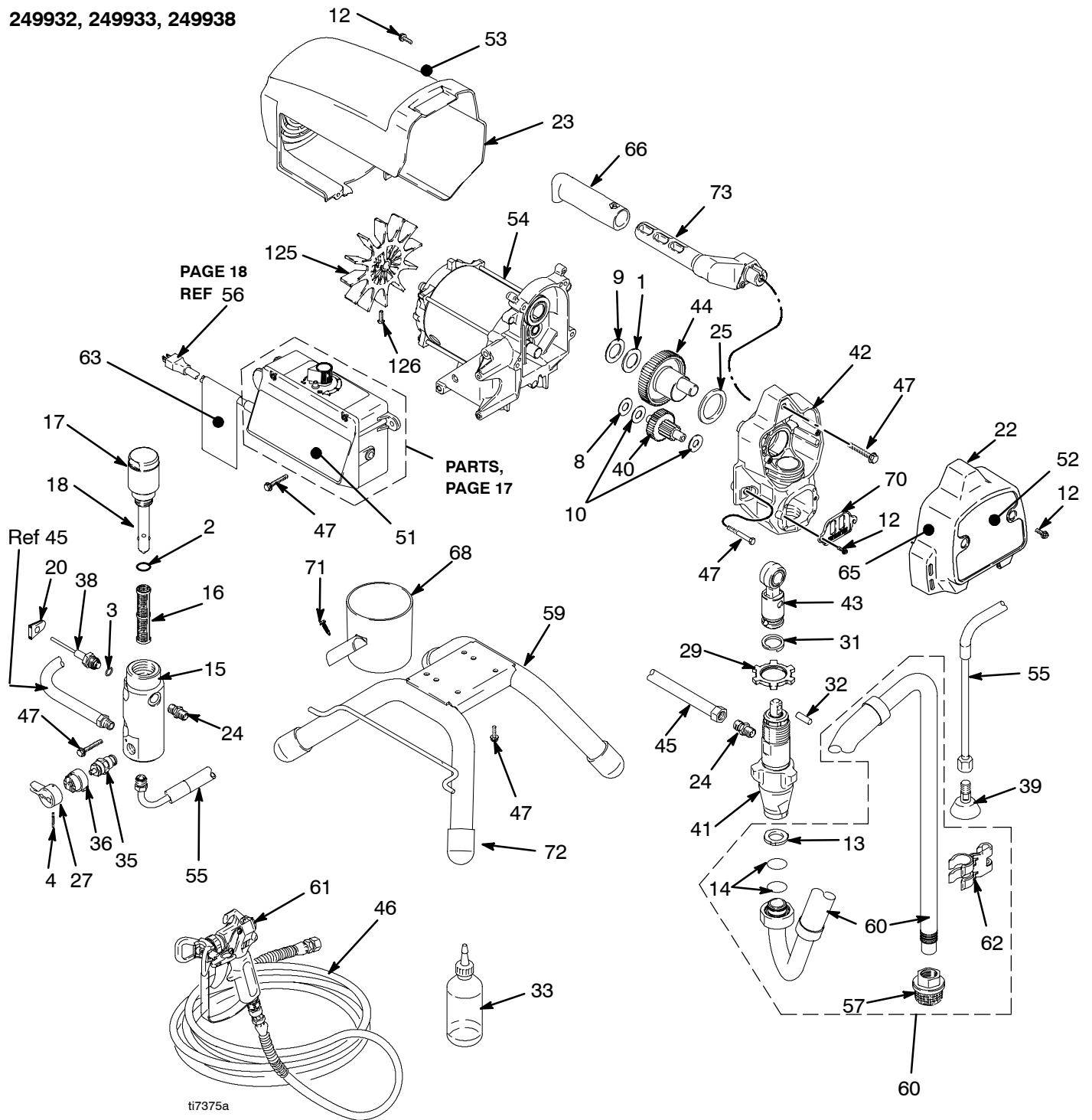


230V Wiring Diagram Ultra



Parts Drawing - Ultra Max II Stand Sprayers

249932, 249933, 249938



Parts List - Ultra Max II Stand Sprayers

249932, 249933, 249938

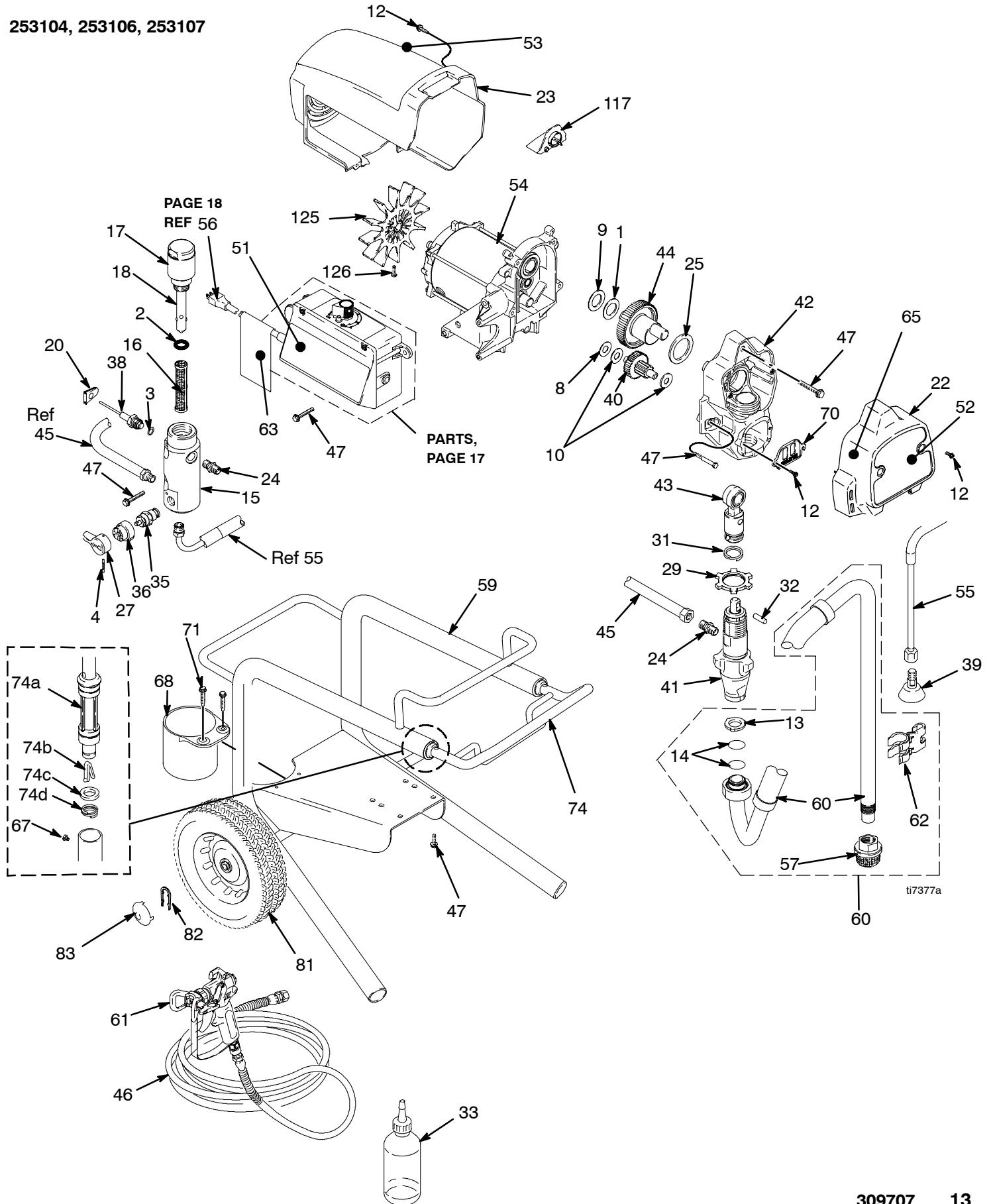
Ref.	Part	Description	Qty.	Ref.	Part	Description	Qty.
1	107434	BEARING, thrust	1	51	15K401	LABEL, Ultra Max II Smart Control	1
2	117828	PACKING, o-ring	1	52		LABEL, front, Graco	
3	111457	PACKING, o-ring	1		15K372	490	1
4	111600	PIN, grooved	1		15K371	495	1
8	116073	WASHER, thrust	1	53		LABEL, side, Graco	1
9	116074	WASHER, thrust	1		15K376	490	1
10	116079	BEARING, thrust	2		15K377	495	1
12	117501	SCREW, mach, hex washer hd	8	54		MOTOR KIT, 110V (includes 125, 126)	
13	115099	WASHER, garden hose	1		24R703	495 Series A and B (includes control box-not shown)	1
14	117559	O-RING	2		24S022	495 Series C	1
15	15G455	MANIFOLD, fluid	1			MOTOR KIT, 230V (includes 125, 126)	
16	246384†	FILTER, fluid, 60 mesh	1		24S015	490/495 Series A and B (includes control box-not shown)	1
17	15G456	CAP, manifold	1		24S022	490/495 Series C	1
18	287167	INSERT, filter	1	55	246381	HOSE, drain, stand includes 39, 62	1
20	15B120	GROMMET, transducer	1			STRAINER, 7/8-14 unf	1
22	287901	COVER, front, Graco, paint includes 12, 65	1	57	246385	FRAME, standmount	1
23	287900	SHIELD, motor, painted, includes 12	1	59	15E823	KIT, hose suction	1
24	162453	NIPPLE, (1/4 npsm x 1/4 npt)	2	60	246386	includes 13, 14, 57, 62	
25	180131	BEARING, thrust	1	61	288436	GUN, RAC 5, includes manuals 311861, 312287, 312288, 312289	1
27	187625	HANDLE, valve, drain	1		288427	GUN, RAC X, includes manuals 311861, 312287, 312288, 312289	1
29	195150	NUT, jam, pump	1	62	276888	CLIP, drain line	1
31	196750	SPRING, retaining	1	63▲	15H087	LABEL, danger (models 249932, 249933)	1
32	196762	PIN, straight	1		15H086	LABEL, danger (model 249938)	1
33	206994	FLUID, TSL	1	65▲	195792	LABEL, warning	1
34▲	222385	TAG Warning (not shown)	1	66	116139	GRIP, handle	1
35	239914	VALVE, drain	1	68	287903	CUP, suction/drain	1
36	224807	BASE, valve	1	70	15B589	COVER, pump rod	1
38	243222	TRANSDUCER, pressure control includes 3	1	71	122667	SCREW, drill, hex washer head	1
39	241920	DEFLECTOR, threaded	1	72	15G857	CAP, leg	4
40	244242	GEAR, reducer includes 8, 10	1	73	276864	HANDLE, sprayer includes 47, 66	1
41	246428	PUMP, displacement includes 32	1	125	15D088	FAN, motor	1
42	287899	HOUSING, drive includes 12, 70	1	126	115477	SCREW	1
43	287053	ROD, connecting includes 31, 32	1				
44	287054	GEAR, crankshaft includes 1, 9, 25	1				
45	287003	HOSE, cpld	1				
46	240794	HOSE, cpld, 1/4 in. x 50 ft	1				
47	117493	SCREW, mach, hex washer hd	13				

▲ Extra Danger and Warning tags and labels available free.

† Other filters available: 246382, 100 mesh; 246383, 200 mesh; 246425, 30 mesh

Parts Drawing - Ultra Max II Lo-Boy Sprayers

253104, 253106, 253107



Parts List - Ultra Max Lo-Boy II Sprayers

253104, 253106, 253107

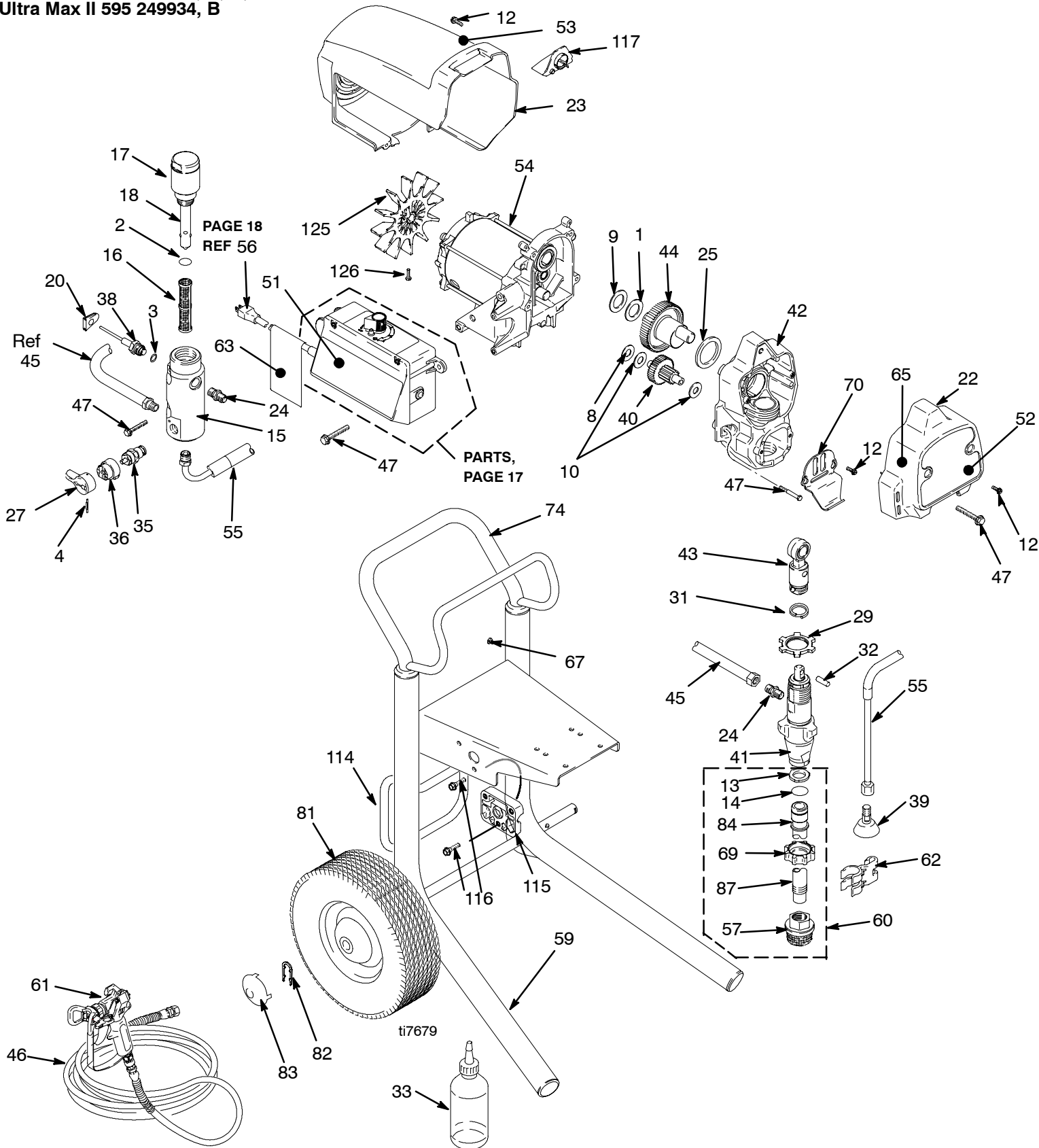
Ref.	Part	Description	Qty.	Ref.	Part	Description	Qty.
1	107434	BEARING, thrust	1	52		LABEL, front, Graco	
2	117828	PACKING, o-ring	1	15K371	495		1
3	111457	PACKING, o-ring	1	15K370	595		1
4	111600	PIN, grooved	1	53		LABEL, side, Graco	
8	116073	WASHER, thrust	1	15K377	495		1
9	116074	WASHER, thrust	1	15K378	595		1
10	116079	BEARING, thrust	2	54		MOTOR KIT 110V (includes 125, 126)	
12	117501	SCREW, mach, hex washer hd	8	24R703	490/495 Series A and B		1
13	115099	WASHER, garden hose	1		(includes control box-not shown)		
14	117559	O-RING	2	24S022	495 Series C		1
15	15G455	MANIFOLD, fluid	1		MOTOR KIT 230V (includes 126,126)		
16	246384†	FILTER, fluid, 60 mesh	1	24S015	495 Series A and B		1
17	15G456	CAP, manifold	1		(includes control box-not shown)		
18	287167	INSERT, filter	1	24S022	495 Series C		1
20	15B120	GROMMET, transducer	1	287807	595		1
22	287901	COVER, front, Graco, paint includes 12, 65	1	55	246381	HOSE, drain, stand includes 39, 62	1
23	287900	SHIELD, motor, painted includes 12	1	57	246385	STRAINER, 7/8-14 unf	1
24	162453	NIPPLE, (1/4 npsm x 1/4 npt)	2	59	246250	FRAME, cart, LO	1
25	180131	BEARING, thrust	1	60	246386	KIT, hose suction includes 13, 14, 57, 62	1
27	187625	HANDLE, valve, drain	1	61	288436	GUN, RAC 5, includes manuals 311861, 312287, 312288, 312289	1
29	195150	NUT, jam, pump	1				
31	196750	SPRING	1	288427	GUN, RAC X, includes manuals 311861, 312287, 312288, 312289		1
32	196762	PIN, straight	1	62	276888	CLIP, drain line	1
33	206994	FLUID, TSL	1	63▲	15H086	LABEL, danger (model 253106)	1
34▲	222385	TAG, warning (not shown)	1		15H087	LABEL, danger (models 253104, 243107)	1
35	239914	VALVE, drain	1	65▲	195792	LABEL, warning	1
36	224807	BASE, valve	1	67	109032	SCREW, pan hd	4
38	243222	TRANSDUCER, pressure control includes 3	1	68	15B870	CUP, suction/drain	1
39	241920	DEFLECTOR, threaded	1	70	15B589	COVER, pump rod	1
40	244242	GEAR, reducer includes 8, 10	1	71	122667	SCREW, drill	2
41	246428	PUMP, displacement	1	74	287488	HANDLE, assembly	1
42	287899	HOUSING, drive includes 12, 47, 76	1	74a	195501	SLEEVE, cart	2
43	287053	ROD, connecting includes 31, 32	1	74b	178565	BUTTON, snap	2
44		GEAR, crankshaft includes 1, 9, 25		74c	195673	WASHER	2
	287054	490/495	1	74d	103117	RING, retaining	2
	248231	595	1	81	195766	WHEEL, semi pneumatic	2
45	287003	HOSE, cpld	1	82	15B999	CLIP, retaining	2
46	240794	HOSE, cpld, 1/4 in. x 50 ft	1	83	104811	CAP, hub	2
47	117493	SCREW, mach, hex washer hd	12	117	15G447	PLUG, hole	1
51	15K401	LABEL, Ultra Max II Smart Control	1	125	15D088	FAN, motor	1
				126	115477	SCREW	1

▲ Extra Danger and Warning tags and labels available free.

† Other filters available: 246382, 100 mesh; 246383, 200 mesh; 246425, 30 mesh

Parts Drawing - Ultra Max Hi-Boy II Sprayers

Ultra Max II 495 253105, A, B, C
 Ultra Max II 595 249934, B



Parts List - Ultra Max II Hi-Boy Sprayers

Ultra Max II 495: 253105 A, B, C

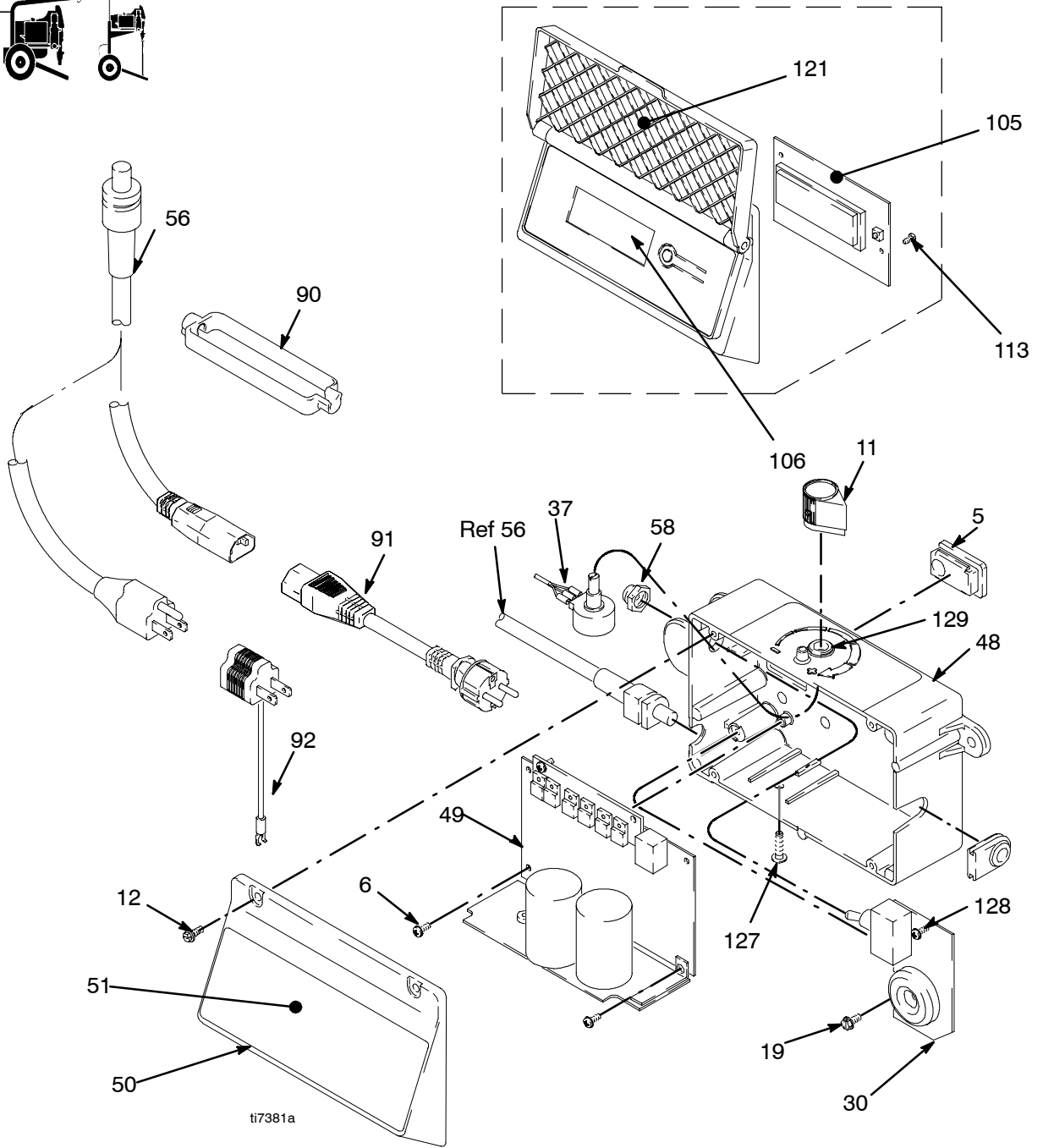
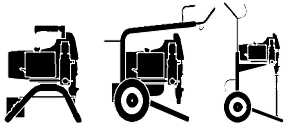
Ultra Max II 595: 249934, B

Ref.	Part	Description	Qty.	Ref.	Part	Description	Qty.
1	107434	BEARING, thrust	1	47	117493	SCREW, mach, hex washer hd	12
2	117828	PACKING, o-ring	1	51	15K401	LABEL, Ultra Max II Smart Control	1
3	111457	PACKING, o-ring	1	52		LABEL, front, Graco	
4	111600	PIN, grooved	1		15K371	495	1
8	116073	WASHER, thrust	1		15K370	595	1
9	116074	WASHER, thrust	1	53		LABEL, side, Graco	1
10	116079	BEARING, thrust	2		15K377	495	1
12	117501	SCREW, mach, hex washer hd	8		15K378	595	1
13	115099	WASHER, garden hose	1	54		MOTOR KIT, 230V (includes 125, 126)	
14	103413	O-RING	1		24S015	495 Series A and B (includes control box-not shown)	1
15	15G455	MANIFOLD, fluid	1		24S022	495 Series C	1
16	246384†	FILTER, fluid, 60 mesh	1		287807	595	1
17	15G456	CAP, manifold	1	55	243993	HOSE, drain	1
18	287167	INSERT, filter	1			includes 39	
20	15B120	GROMMET, transducer	1	57	246385	STRAINER, 7/8-14 unf	1
22	287901	COVER, front, Graco, paint	1	59	287779	FRAME, cart, HI	1
23	287900	SHIELD, motor, painted	1	60	246387	KIT, stinger, tube	1
		includes 12				includes 13, 14, 57, 69, 84, 87	
24	162453	NIPPLE, (1/4 npsm x 1/4 npt)	2	61	288436	GUN, RAC 5, includes manuals 311861, 312287, 312288, 312289	1
25	180131	BEARING, thrust	1		288427	GUN, RAC X, includes manuals 311861, 312287, 312288, 312289	1
27	187625	HANDLE, valve, drain	1	62	276888	CLIP, drain line	1
29	195150	NUT, jam, pump	1	63▲	15H087	LABEL, danger	1
31	196750	SPRING, retaining	1	65▲	195792	LABEL, warning	1
32	196762	PIN, straight	1	67	109032	SCREW, pan hd	4
33	206994	FLUID, TSL	1	69	15E813	NUT, jam	1
34▲	222385	TAG, warning (not shown)	1	70	15C146	HOOK, pail	1
35	239914	VALVE, drain	1	74	287489	HANDLE	1
36	224807	BASE, valve	1	81	106062	WHEEL	2
38	243222	TRANSDUCER, pressure control	1	82	15B999	CLIP, retaining	2
		includes 3		83	104811	CAP, hub	2
39	241920	DEFLECTOR, threaded	1	84	15B652	WASHER, suction	1
40	287057	GEAR, reducer	1	87	15B506	TUBE, suction	1
41	246428	PUMP, displacement	1	114	15D281	HANGER, stand	1
42	287899	HOUSING, drive	1	115	15C982	CAM, cart	2
		includes 12, 47		116	114531	SCREW, mch, hex	4
43	244242	ROD, connecting	1	117	15G447	PLUG, tubing	2
		includes 31, 32		125	15D088	FAN, motor	1
44		GEAR, crankshaft	1	126	115477	SCREW	1
		includes 1, 9, 25					
	287054	490/495	1				
	248231	595	1				
45	287003	HOSE, cpld	1				
46	240794	HOSE, cpld, 1/4 in. x 50 ft	1				

▲ Extra Danger and Warning tags and labels available free.

† Other filters available: 246382, 100 mesh; 246383, 200 mesh; 246425, 30 mesh

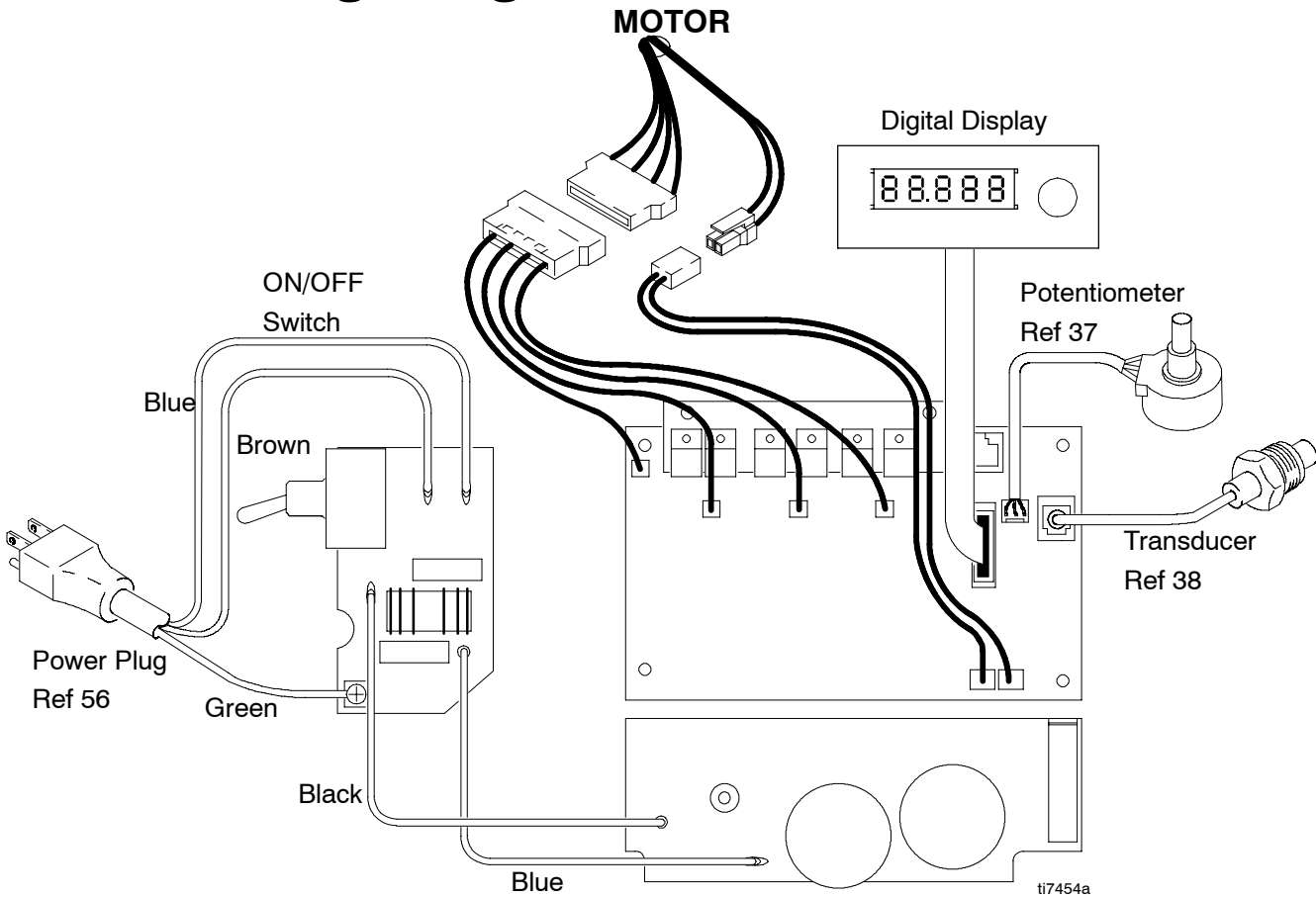
Parts Drawing - Control Box and Board Ultra Max II



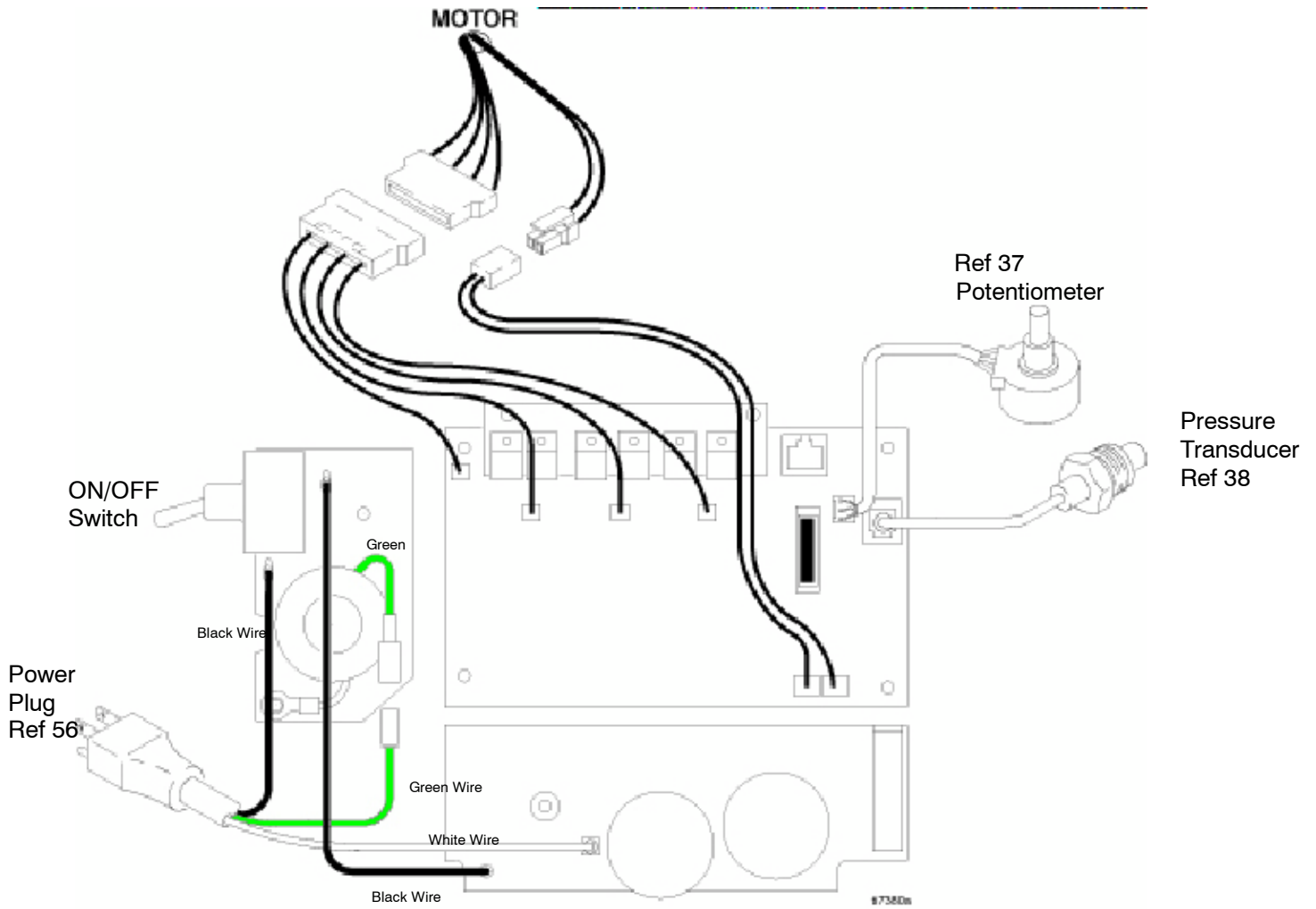
Parts List - Control Box and Board Ultra Max II

Ref.	Part	Description	Qty.	Ref.	Part	Description	Qty.
5	15G562	BUSHING, control box	1	56		CORD, power	1
6	115494	SCREW, mach, philips, pan hd	6	253372		110V, model 249938 only	1
11	116167	KNOB, potentiometer	1	253378		110 V, model 253106 only	1
12	117501	SCREW, mach, hex washer hd	4	253373		230V	1
19	115498	SCREW, mach, slot, hex, wash hd	1	58	195428	BOOT, toggle	1
30	287912	BOARD, filter, 110V	1	90	195551	RETAINER, 230V	1
	287913	BOARD, filter, 230V	1	91		CORD	
37	256219	POTENTIOMETER, adjust, pressure	1	242001		CEE 7/7	1
48	287907	BOX, control 230V models	1	242005		AUSTRALIA	1
	287908	BOX, control 110V models	1	92	244285	ADAPTER Japan	1
49	287909	BOARD, control 110V models	1	105	287904	BOARD, control LCD	1
	287910	BOARD, control 230V models	1	106	15G861	LABEL, smart control display	1
50	287789	COVER, control box	1	113	115522	SCREW, mch, pnh	1
51	15K401	LABEL, Ultra Max II Int'l.	1	121	15G588	LABEL, digital tracking	1
				127	120165	SCREW, mach, philips, pan hd	1
				128	120406	SCREW, mach, hex wash hd	1
				129	158674	O-RING, packing	1

230V Wiring Diagram - Ultra Max II



110V Wiring Diagram - Ultra Max II



TO PLACE AN ORDER OR FOR SERVICE, contact your Graco distributor, or call this number to identify the distributor near you: **1-800-690-2894 Toll Free**

All written and visual data contained in this document reflects the latest product information available at the time of publication. Graco reserves the right to make changes at any time without notice.

For patent information, see www.graco.com/patents.
Original instructions. This manual contains English mm 309707

Graco Headquarters: Minneapolis

International Offices: Belgium, Korea, China, Japan

GRACO INC. AND SUBSIDIARIES P.O. BOX 1441 MINNEAPOLIS, MN 55440-1441 USA
Copyright 2002, Graco Inc. All Graco manufacturing locations are registered to ISO 9001

<http://www.graco.com>

Revised December 2013