




Parts



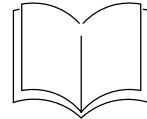
Ultra® 395/495/595 Ultra Max II 490/495/595

309707 rev.L

3300 psi (228 bar, 22.8 MPa) Maximum Working Pressure

Vac	Make	Model		*		*		*
230	Ultra	395	234180 249589	B				
	Ultra	495	234183	A	234181	A	234182	A
	Ultra	595			248660	A	234439	A
100	Ultra	495	234186	A	233974	A		
230	Ultra Max II	490	249932	B				
	Ultra Max II	495	249933	B	253104	B	253105	B
	Ultra Max II	595			253107	B	249934	A
100	Ultra Max II	495	249938	B	253106	B		
* Series								

Related manuals



..... [309725](#)



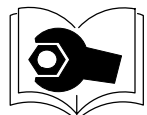
..... [309250](#)



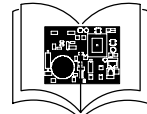
..... [309639](#)



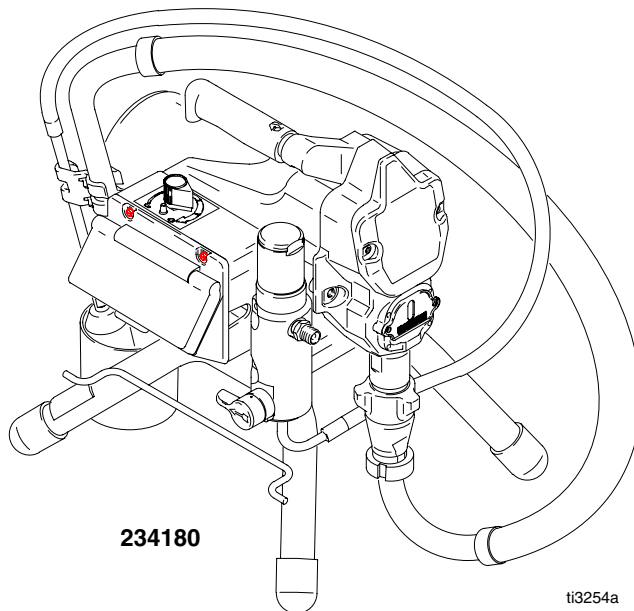
..... [309055](#)



..... [309674](#)



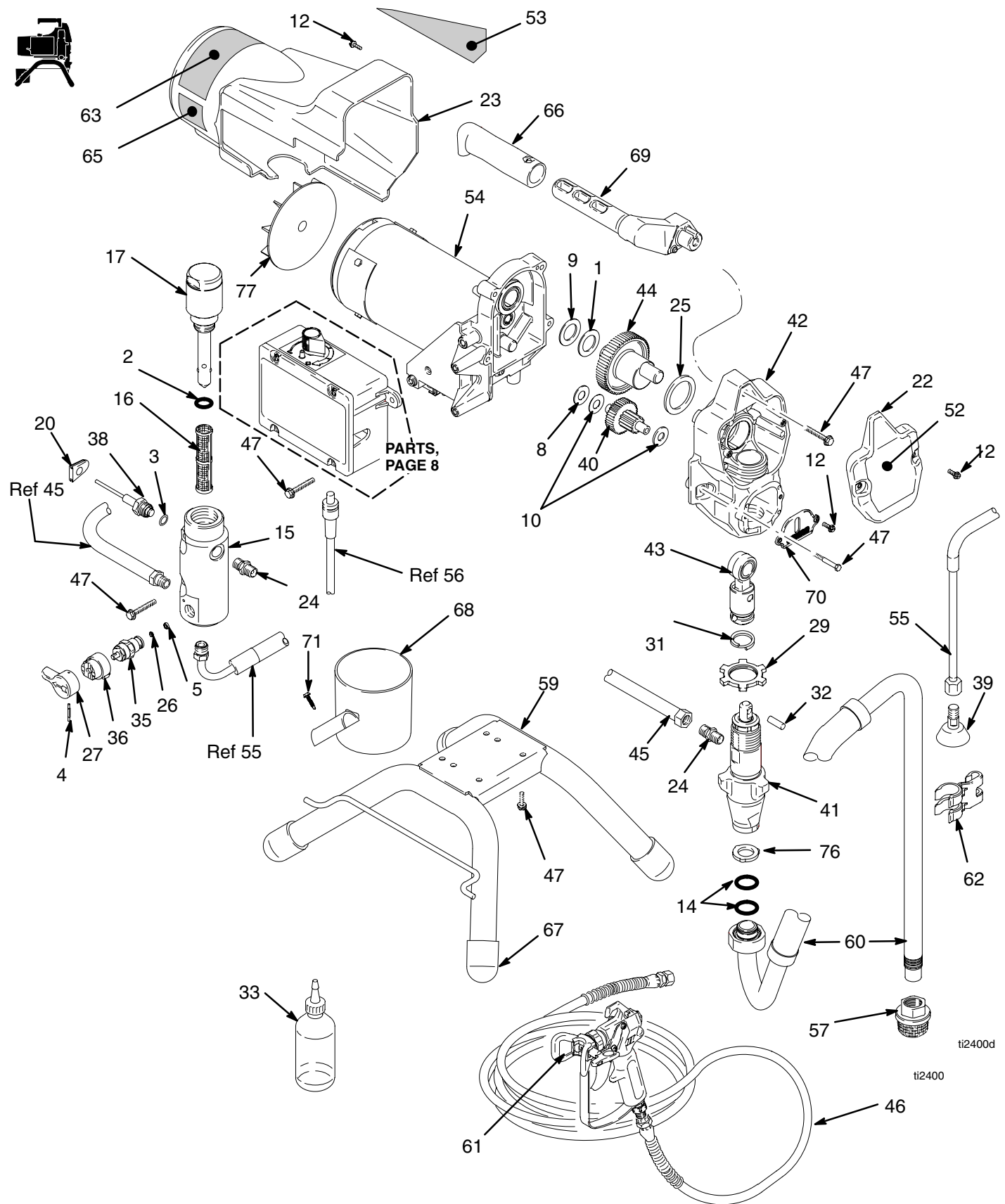
..... [309709](#)



PROVEN QUALITY. LEADING TECHNOLOGY.

GRACO INC. P.O. BOX 1441 MINNEAPOLIS, MN 55440-1441
Copyright 2003, Graco Inc. is registered to I.S. EN ISO 9001

Parts Drawing - Sprayer



Parts List - Sprayer



234180, 234183, 234186, 249589

Ref No.	Part No.	Description	Qty	Ref No.	Part No.	Description	Qty
1	107434	BEARING, thrust	1	46	240794	HOSE, cpld, 1/4 in. x 50 ft	1
2	117828	PACKING, o-ring	1	47	117493	SCREW, mach, hex washer hd	11
3	111457	PACKING, o-ring	1	52		LABEL, front, Graco	
4	111600	PIN, grooved	1		15B372	Ultra 395	1
5	111699	GASKET, seat, valve	1		15B255	Ultra 495	1
8	116073	WASHER, thrust	1		15G330	Ultra 395 (249589)	1
9	116074	WASHER, thrust	1	53		LABEL, side, Graco	1
10	116079	BEARING, thrust	2		15B847	Ultra 395	1
12	117501	SCREW, mach, hex washer hd	6		15B495	Ultra 495	1
14	117559	O-RING	2		15G343	Ultra 395 (249589)	1
15	15B067	MANIFOLD, ST Pro	1	54		MOTOR	
16	246384†	FILTER, fluid, 60 mesh	1		287060*‡	240V, Ultra 395; includes 77	1
17	287167	CAP, manifold	1		287061*	240V, Ultra 495; includes 77	1
20	15B120	GROMMET, transducer	1		287015*	100V, Ultra 495; includes 77	1
22	287058	COVER, front, Graco, paint	1	55	246381	HOSE, drain, ST stand	1
23	287056	SHIELD, motor, painted	1			includes 39, 62	
24	162453	NIPPLE, (1/4 npsm x 1/4 npt)	2	57	246385	STRAINER, 7/8-14 unf	1
25	180131	BEARING, thrust	1	59	15E823	FRAME, standmount	1
26	187615	SEAT, valve	1	60	246386	HOSE, s hose suction	1
27	187625	HANDLE, valve, drain	1			includes 14, 57, 62	
29	195150	NUT, jam, pump	1	61		GUN, includes Manual 309639	1
31	196750	SPRING, retaining	1		246540	240V Ultra 395/495	1
32	196762	PIN, straight	1		246233	100V Ultra 495	1
33	206994	FLUID, TSL	1	62	276888	CLIP, drain line	1
35	235014	VALVE, drain	1	63	15B517▲	LABEL, danger	1
		includes 5, 26		65	195792▲	LABEL, warning	1
36	224807	BASE, valve	1	66	116139	GRIP, handle	1
38	243222	TRANSDUCER, pressure control	1	67	15G857	CAP, leg	4
		includes 3		68	287903	CUP, suction/drain	1
39	241920	DEFLECTOR, threaded	1	69	287072	HANDLE, sprayer	1
40	287057	GEAR, reducer	1			includes 47, 66	
		includes 8, 10		70	15B589	COVER, pump rod	1
41	246428	PUMP, displacement, ST	1	71	115723	SCREW, drill, hex washer head	1
		includes 32		76	115099	WASHER, garden hose	1
42	287055	HOUSING, drive	1	77	239912	FAN, motor	1
		includes 12, 70					
43	287053	ROD, connecting	1				
		includes 31, 32					
44	287054	GEAR, crankshaft	1				
		includes 1, 9, 25					
45	287003	HOSE, cpld	1				

▲Extra Danger and Warning tags and labels available free.

* Motor Brush Kit 287016 is available for Series A

‡ Motor Brush Kit 287735 is available for Series B

† Other filters available: 246382, 100 mesh; 246383, 200 mesh; 246425, 30 mesh

Parts List - Sprayer



234181, 233974, 248660

Ref No.	Part No.	Description	Qty	Ref No.	Part No.	Description	Qty
1	107434	BEARING, thrust	1		15B255	Ultra 495	1
2	117828	PACKING, o-ring	1		15D161	Ultra 595	1
3	111457	PACKING, o-ring	1	53		LABEL, side, Graco	1
4	111600	PIN, grooved	1		15B847	Ultra 395	1
5	111699	GASKET, seat, valve	1		15B495	Ultra 495	1
8	116073	WASHER, thrust	1		15D165	Ultra 595	1
9	116074	WASHER, thrust	1	54		240V	
10	116079	BEARING, thrust	2		287061*	Ultra 495; includes 77	1
12	117501	SCREW, mach, hex washer hd	6		248185‡	Ultra 595; includes 77	1
14	117559	O-RING	2			100V	
15	15B067	MANIFOLD, ST Pro	1		287015*	Ultra 495; includes 77	1
16	246384†	FILTER, fluid, 60 mesh	1	55	246381	HOSE, drain, ST stand	1
17	287167	CAP, manifold	1			includes 39, 62	
18	287167	INSERT, filter	1	57	246385	STRAINER, 7/8-14 unf	1
20	15B120	GROMMET, transducer	1	59	246250	FRAME, cart, LO	1
22	287058	COVER, front, Graco, paint	1	60	246386	HOSE, s hose suction	1
23	287056	SHIELD, motor, painted	1			includes 14, 57, 62	
24	162453	NIPPLE, (1/4 npsm x 1/4 npt)	2	61		GUN, includes Manual 309639	1
25	180131	BEARING, thrust	1		246540	240V Ultra 395/495	1
26	187615	SEAT, valve	1		246233	100V Ultra 495	1
27	187625	HANDLE, valve, drain	1	62	276888	CLIP, drain line	1
29	195150	NUT, jam, pump	1	63	15B517▲	LABEL, danger	1
31	196750	SPRING, retaining	1	65	195972▲	LABEL, warning	1
32	196762	PIN, straight	1	66	15B999	CLIP, retaining	2
33	206994	FLUID, TSL	1	67	103117	RING, retaining	2
35	235014	VALVE, drain	1	68	104811	CAP, hub	2
		includes 5, 26		69	109032	SCREW, pan hd	4
36	224807	BASE, valve	1	70	178565	BUTTON, snap	2
38	243222	TRANSDUCER, pressure control	1	71	180656	PLUG, button	1
		includes 3		72	195501	SLEEVE, cart	2
39	241920	DEFLECTOR, threaded	1	73	195673	WASHER	2
40	287057	GEAR, reducer	1	74	195766	WHEEL, semi pneumatic	2
		includes 8, 10		75	243205	HANDLE, assembly	1
41	246428	PUMP, displacement, ST	1	76	15B589	COVER, pump rod	1
		includes 32		77	239912	FAN, motor	1
42	287055	HOUSING, drive	1	82	115723	SCREW, drill	2
		includes 12, 70		83	15B870	CUP, suction/drain	1
43	287053	ROD, connecting	1	85	115979	PLUG, hole	1
		includes 31, 32		86	115099	WASHER, garden hose	1
44	287054	GEAR, crankshaft	1				
		includes 1, 9, 25					
45	287003	HOSE, cpld	1				
46	240794	HOSE, cpld, 1/4 in. x 50 ft	1				
47	117493	SCREW, mach, hex washer hd	10				
52		LABEL, front, Graco					
	15B372	Ultra 395	1				

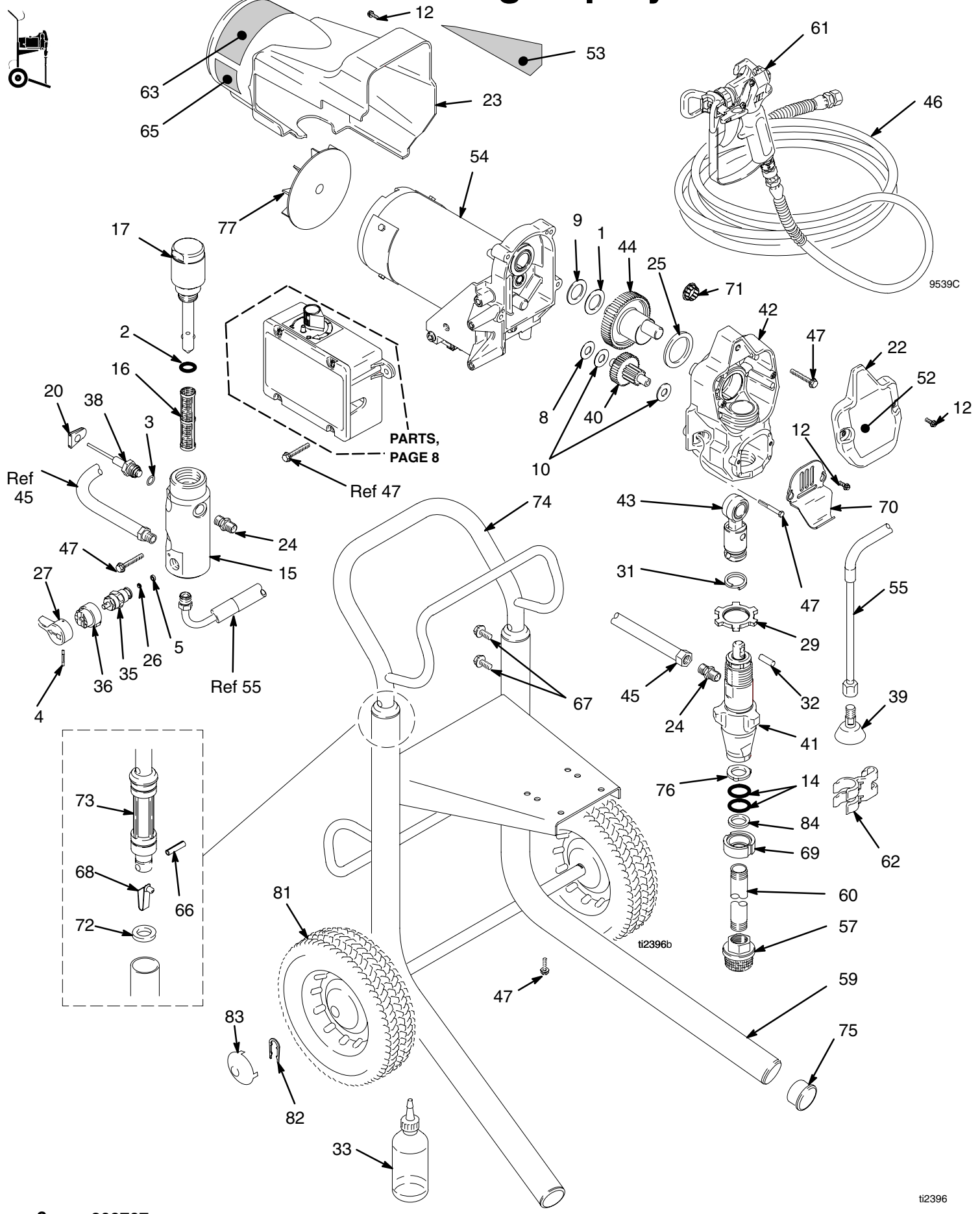
▲ Extra Danger and Warning tags and labels available free.

* Motor Brush Kit 287016 is available

Other filters available: 246382, 100 mesh; 246383, 200 mesh; 246425, 30 mesh

‡ Motor Brush Kit 248186 is available

Parts Drawing - Sprayer



Parts List - Sprayer



234182, 234439

Ref No.	Part No.	Description	Qty	Ref No.	Part No.	Description	Qty
1	107434	BEARING, thrust	1	52		LABEL, front, Graco	
2	117828	PACKING, o-ring	1		15B372	395	1
3	111457	PACKING, o-ring	1		15B255	495	1
4	111600	PIN, grooved	1		15D161	595	1
5	111699	GASKET, seat, valve	1	53		LABEL, side, Graco	
8	116073	WASHER, thrust	1		15B847	395	1
9	116074	WASHER, thrust	1		15B495	495	1
10	116079	BEARING, thrust	2		15D165	595	1
12	117501	SCREW, mach, hex washer hd	6	54		MOTOR, 240V; includes 77	
14	103413	O-RING	2		287061*	495	1
15	15B067	MANIFOLD, ST Pro	1		248185‡	595	1
16	246384†	FILTER, fluid, 60 mesh	1	55	244240	HOSE, drain; includes 39	1
17	287167	CAP, manifold	1	57	246385	STRAINER, 7/8-14 unf	1
20	15B120	GROMMET, transducer	1	59	245984	FRAME, cart, HI	1
22	287058	COVER, front, Graco, paint; includes 12	1	60	246387	TUBE, suction includes 14, 57, 69, 84	1
23	287056	SHIELD, motor, painted; includes 12, 63, 65	1	61	246540	GUN, includes Manual 309639	1
24	162453	NIPPLE, (1/4 npsm x 1/4 npt)	2	62	276888	CLIP, drain line	1
25	180131	BEARING, thrust	1	63	15B517▲	LABEL, danger	1
26	187615	SEAT, valve	1	65	195792▲	LABEL, warning	1
27	187625	HANDLE, valve, drain	1	66	108068	PIN	2
29	195150	NUT, jam, pump	1	67	109032	SCREW, pan hd	4
31	196750	SPRING, retaining	1	68	111590	BUTTON, snap	2
32	196762	PIN, straight	1	69	15B434	NUT, jam	1
33	206994	FLUID, TSL	1	70	15C146	HOOK, pail	1
35	235014	VALVE, drain includes 5, 26	1	71	115979	PLUG, hole	1
36	224807	BASE, valve	1	72	183350	WASHER	1
38	243222	TRANSDUCER, pressure control includes 3	1	73	192027	SLEEVE, cart	2
39	241920	DEFLECTOR, threaded	1	74	245245	HANDLE	1
40	287057	GEAR, reducer includes 8, 10	1	75	108691	PLUG, tubing	2
41	246428	PUMP, displacement, ST	1	76	115099	WASHER	1
42	287055	HOUSING, drive includes 12, 47	1	77		FAN, motor	
43	287053	ROD, connecting includes 31, 32	1		239912	495	1
44		GEAR, crankshaft; includes 1, 9, 25			248189	595	1
	287054	495	1	81	106062	WHEEL	2
	248231	595	1	82	15B999	CLIP, retaining	2
45	287003	HOSE, cpld	1	83	104811	CAP, hub	2
46	240794	HOSE, cpld, 1/4 in. x 50 ft, unpkg	1	84	15B652	WASHER, suction	1
47	117493	SCREW, mach, hex washer hd	10				

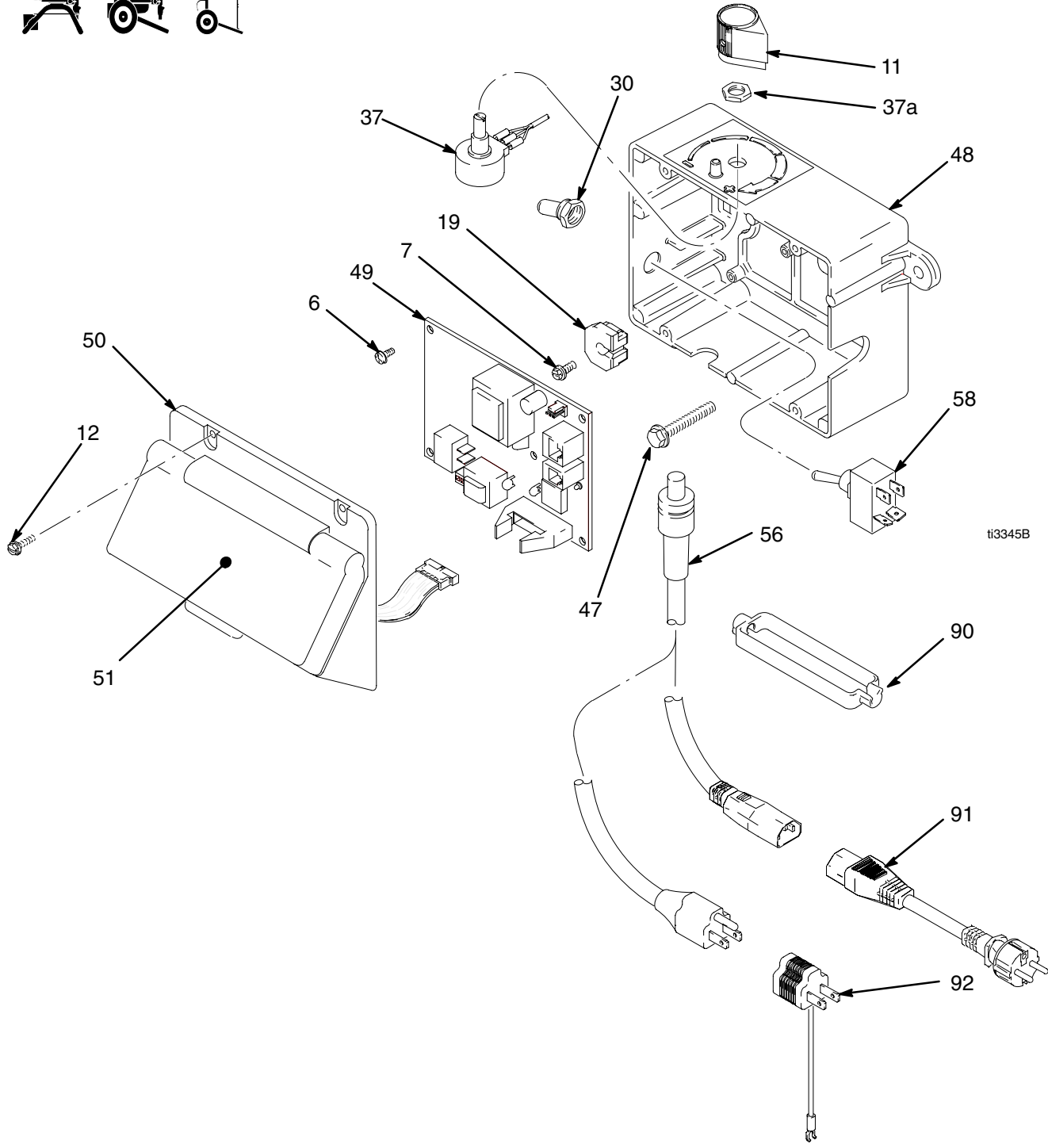
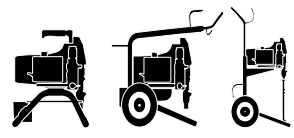
▲Extra Danger and Warning tags and labels available free.

* Motor Brush Kit 287016 is available

‡ Motor Brush Kit 248186 is available

† Other filters available: 246382, 100 mesh; 246383, 200 mesh; 246425, 30 mesh

Parts Drawing - Sprayer

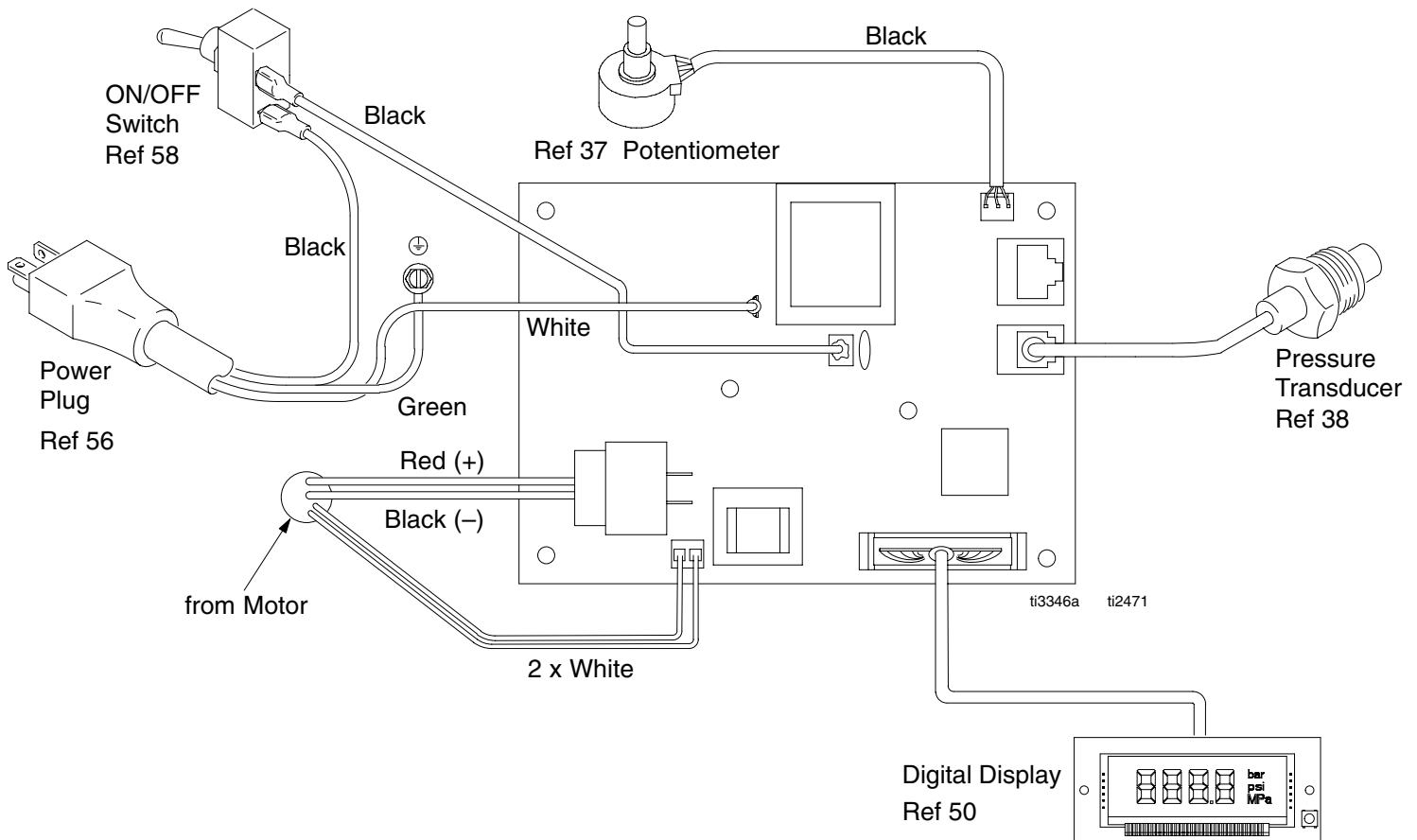


Parts List - Sprayer

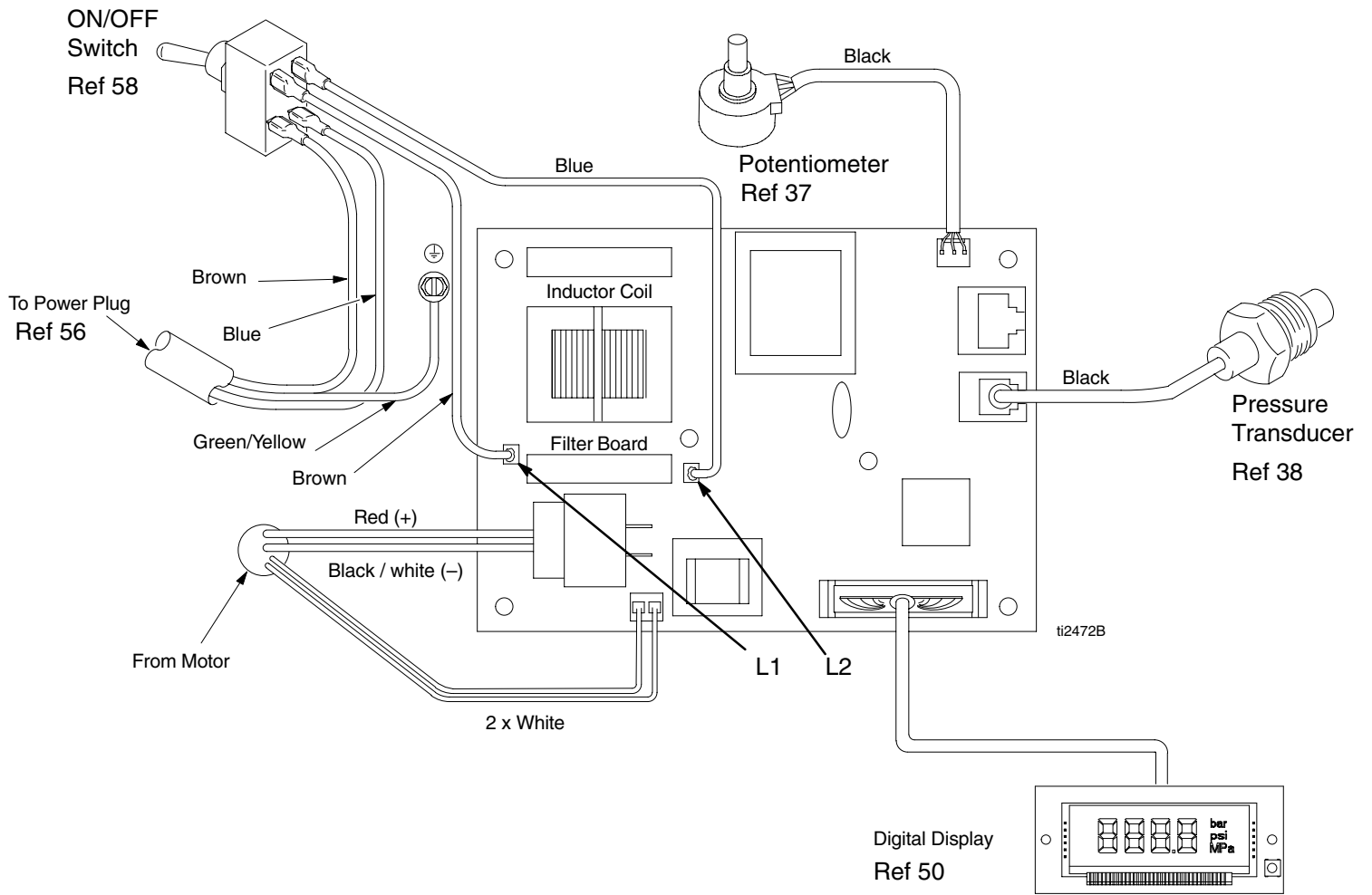


REF NO.	PART NO.	DESCRIPTION	QTY	REF NO.	PART NO.	DESCRIPTION	QTY
6	115494	SCREW, mach, phillps, pan hd	6	50	287098	DIGITAL DISPLAY	1
7	115498	SCREW, mch, slot/hex, wash hd	1	51	15C019	LABEL, control	1
11	116167	KNOB, potentiometer	1		15G344 (249589)		1
12	117501	SCREW, mach, hex washer hd	4	56		CORD, power	
19	15B118	BUSHING, motor wire	1		15B119	100V	1
30	195428	BOOT, toggle	1		15B471	240V	1
37	236352	POTENTIOMETER, adjust, pressure	1	58		SWITCH, toggle	
		includes 37a			195429	100V	1
37a	112382	NUT, potentiometer	1		117492	240V	1
47	117493	SCREW, mach, hex washer hd	2	90	195551	RETAINER, 240V	1
48	276868	BOX, control, ST	1	91		CORD	
49		CONTROL BOARD			242001	CEE 7/7	1
	246379	495; 100/120V	1		242005	AUSTRALIA	1
	246380	395/495; 240V	1	92	244285	ADAPTER	1
	248180	595; 240V	1				

100V Wiring Diagram

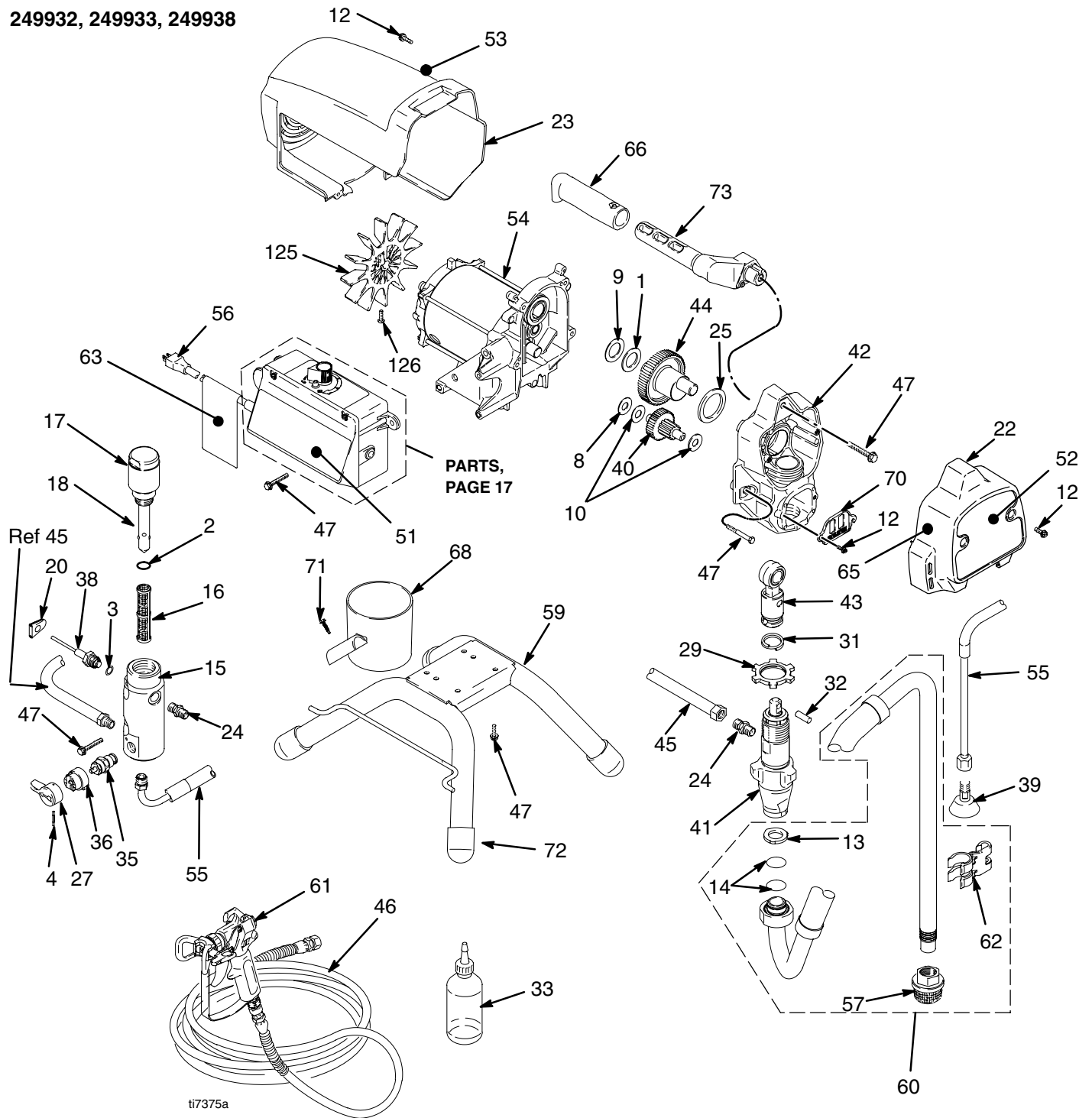


230V Wiring Diagram



Parts Drawing - Ultra Max II Sprayers

249932, 249933, 249938



Parts List - Sprayer

249932, 249933, 249938

Ref No.	Part No.	Description	Qty	Ref No.	Part No.	Description	Qty
1	107434	BEARING, thrust	1	45	287003	HOSE, cpld	1
2	117828	PACKING, o-ring	1	46	240794	HOSE, cpld, 1/4 in. x 50 ft	1
3	111457	PACKING, o-ring	1	47	117493	SCREW, mach, hex washer hd	13
4	111600	PIN, grooved	1	51	15G866	LABEL, Ultra Max II Smart Control	1
8	116073	WASHER, thrust	1	52		LABEL, front, Graco	
9	116074	WASHER, thrust	1		15G821	490	1
10	116079	BEARING, thrust	2		15G824	495	1
12	117501	SCREW, mach, hex washer hd	8	53		LABEL, side, Graco	1
13	115099	WASHER, garden hose	1		15G822	490	1
14	117559	O-RING	2		15G823	495	1
15	15G455	MANIFOLD, ST Pro	1	54	287805	MOTOR, 120V, includes 125, 126	1
16	246384†	FILTER, fluid, 60 mesh	1	55	246381	HOSE, drain, ST stand	1
17	15G456	CAP, manifold	1			includes 39, 62	
18	287167	INSERT, filter	1	57	246385	STRAINER, 7/8-14 unf	1
20	15B120	GROMMET, transducer	1	59	15E823	FRAME, standmount	1
22	287901	COVER, front, Graco, paint	1	60	246386	KIT, hose suction	1
		includes 12, 65				includes 13, 14, 57, 62	
23	287900	SHIELD, motor, painted, includes 12	1	61	246540	GUN, RAC 5, includes manual 309639	1
24	162453	NIPPLE, (1/4 npsm x 1/4 npt)	2		246233	GUN, RAC X, includes manual 309639	1
25	180131	BEARING, thrust	1	62	276888	CLIP, drain line	1
27	187625	HANDLE, valve, drain	1	63	15H087▲	LABEL, danger (models 249932, 249933)	1
29	195150	NUT, jam, pump	1		15H086▲	LABEL, danger (model 249938)	1
31	196750	SPRING, retaining	1		195792▲	LABEL, warning	1
32	196762	PIN, straight	1	65			
33	206994	FLUID, TSL	1	66	116139	GRIP, handle	1
34▲	222385	TAG Warning (not shown)	1	68	287903	CUP, suction/drain	1
35	235014	VALVE, drain	1	70	15B589	COVER, pump rod	1
		includes 5, 26		71	115723	SCREW, drill, hex washer head	1
36	224807	BASE, valve	1	72	15G857	CAP, leg	4
38	243222	TRANSDUCER, pressure control	1	73	276864	HANDLE, sprayer	1
		includes 3				includes 47, 66	
39	241920	DEFLECTOR, threaded	1	105	287904	BOARD, control	1
40	287057	GEAR, reducer	1	106	15G861▲	LABEL, smart control	1
		includes 8, 10		125	15D088	FAN, motor	1
41	246428	PUMP, displacement, ST	1	126	115477	SCREW	1
		includes 32					
42	287899	HOUSING, drive	1				
		includes 12, 70					
43	287053	ROD, connecting	1				
		includes 31, 32					
44	287054	GEAR, crankshaft	1				
		includes 1, 9, 25					

▲ Extra Danger and Warning tags and labels available free.

† Other filters available: 246382, 100 mesh; 246383, 200 mesh; 246425, 30 mesh

Parts List - Sprayer

253104, 253106, 253107

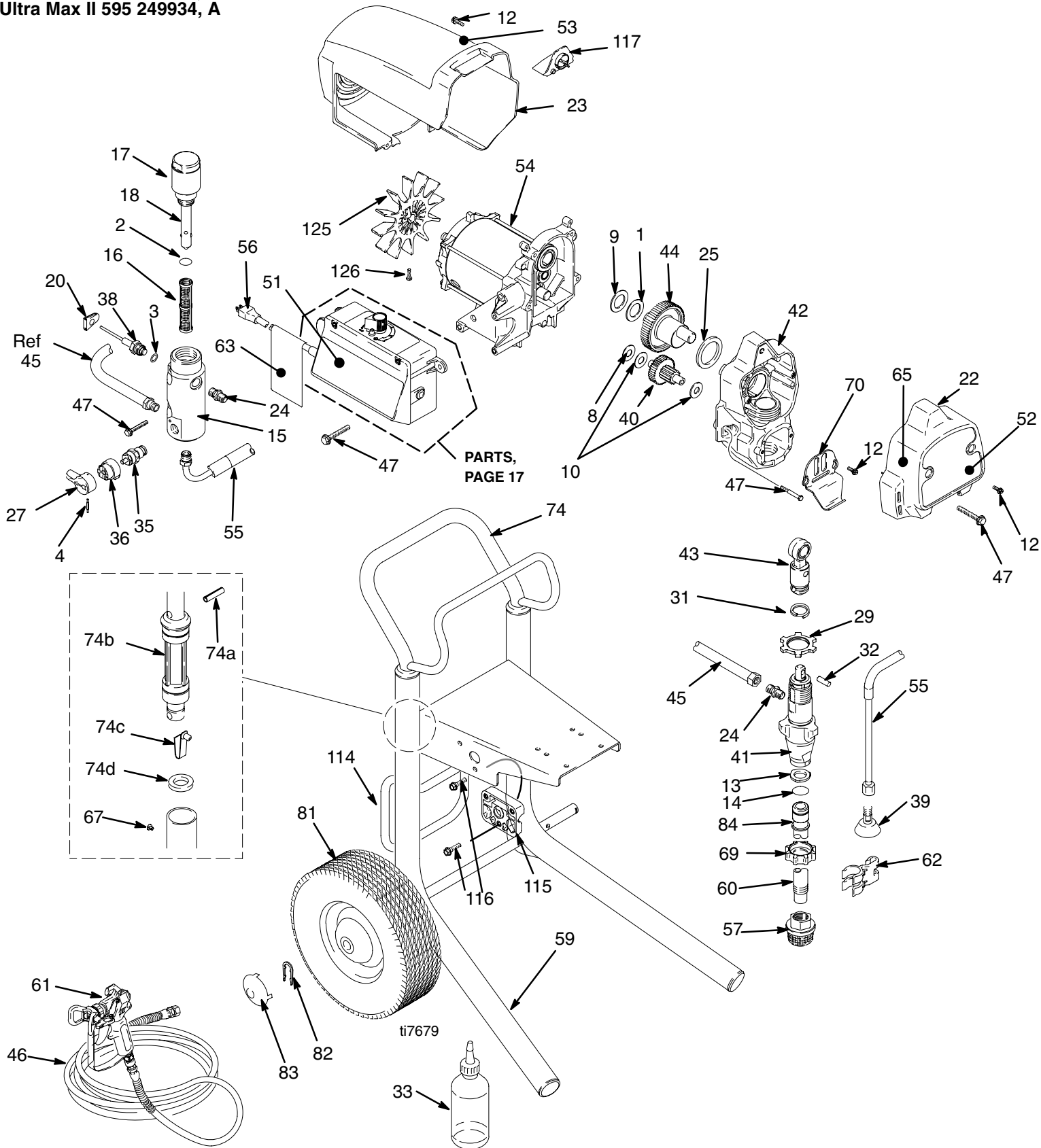
Ref No.	Part No.	Description	Qty	Ref No.	Part No.	Description	Qty
1	107434	BEARING, thrust	1	52		LABEL, front, Graco	
2	117828	PACKING, o-ring	1		15G824	495	1
3	111457	PACKING, o-ring	1		15G825	595	1
4	111600	PIN, grooved	1	53		LABEL, side, Graco	
8	116073	WASHER, thrust	1		15G823	495	1
9	116074	WASHER, thrust	1		15G826	595	1
10	116079	BEARING, thrust	2	54		MOTOR, includes 125, 126	
12	117501	SCREW, mach, hex washer hd	8		287805	495	1
13	115099	WASHER, garden hose	1		287807	595	1
14	117559	O-RING	2	55	246381	HOSE, drain, ST stand	1
15	15G455	MANIFOLD, ST Pro	1			includes 39, 62	
16	246384†	FILTER, fluid, 60 mesh	1	57	246385	STRAINER, 7/8-14 unf	1
17	15G456	CAP, manifold	1	59	246250	FRAME, cart, LO	1
18	287167	INSERT, filter	1	60	246386	KIT, hose suction	1
20	15B120	GROMMET, transducer	1			includes 14, 57, 62, 13	
22	287901	COVER, front, Graco, paint	1	61	246540	GUN, RAC 5, includes manual 309639	1
		includes 12, 65			246233	GUN, RAC X, includes manual 309639	1
23	287900	SHIELD, motor, painted	1	62	276888	CLIP, drain line	1
		includes 12		63▲	15H086	LABEL, danger (model 253106)	1
24	162453	NIPPLE, (1/4 npsm x 1/4 npt)	2		15H087	LABEL, danger (models 253104, 243107)	1
25	180131	BEARING, thrust	1				
27	187625	HANDLE, valve, drain	1	65▲	195793	LABEL, warning	1
29	195150	NUT, jam, pump	1	67	109032	SCREW, pan hd	4
31	196750	SPRING	1	68	15B870	CUP, suction/drain	1
32	196762	PIN, straight	1	70	15B589	COVER, pump rod	1
33	206994	FLUID, TSL	1	71	115723	SCREW, drill	2
34▲	222385	TAG, warning (not shown)	1	74	287488	HANDLE, assembly	1
35	235014	VALVE, drain	1	74a	195501	SLEEVE, cart	2
		includes 5, 26		74b	178565	BUTTON, snap	2
36	224807	BASE, valve	1	74c	195673	WASHER	2
38	243222	TRANSDUCER, pressure control	1	74d	103117	RING, retaining	2
		includes 3		81	195766	WHEEL, semi pneumatic	2
39	241920	DEFLECTOR, threaded	1	82	15B999	CLIP, retaining	2
40	287057	GEAR, reducer	1	83	104811	CAP, hub	2
		includes 8, 10		105	287904	BOARD, control	1
41	246428	PUMP, displacement, ST	1	106	15G861▲	LABEL, smart control	1
42	287899	HOUSING, drive	1	117	15G447	PLUG, hole	1
		includes 12, 47, 76		125	15D088	FAN, motor	1
43	287053	ROD, connecting	1	126	115477	SCREW	1
		includes 31, 32					
44		GEAR, crankshaft					
		includes 1, 9, 25					
	287054	490/495	1				
	248231	595	1				
45	287003	HOSE, cpld	1				
46	240794	HOSE, cpld, 1/4 in. x 50 ft	1				
47	117493	SCREW, mach, hex washer hd	12				
51	15G866	LABEL, Ultra Max II Smart Control	1				

▲ Extra Danger and Warning tags and labels available free.

† Other filters available: 246382, 100 mesh; 246383, 200 mesh; 246425, 30 mesh

Parts Drawing - Sprayer

Ultra Max II 495 253105, A
 Ultra Max II 595 249934, A



PARTS,
 PAGE 17

ti7679

Parts List - Sprayer

Ultra Max II 495: 253105 A

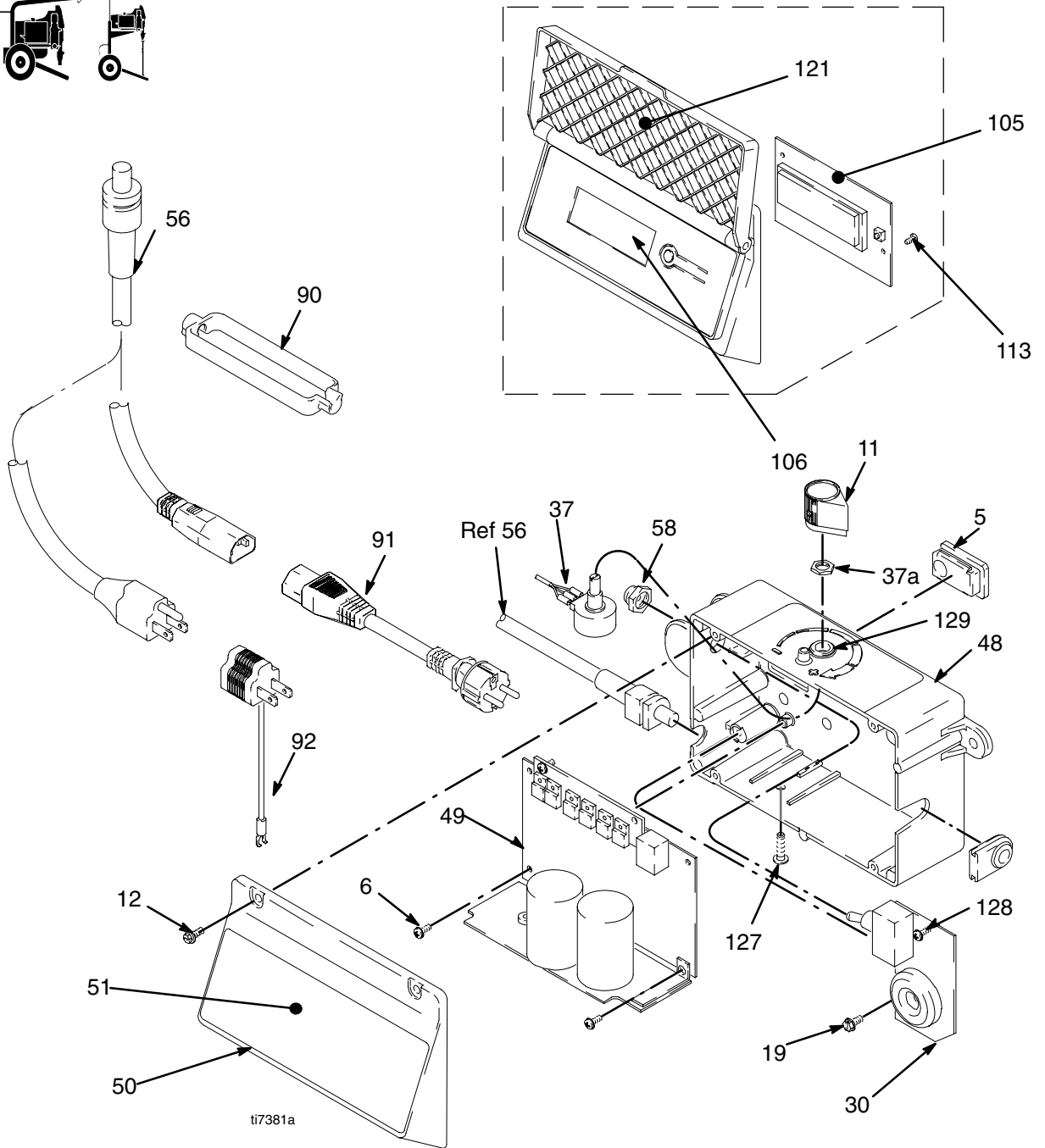
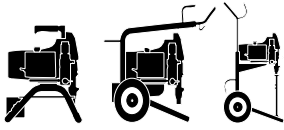
Ultra Max II 595: 249934, A

Ref No.	Part No.	Description	Qty	Ref No.	Part No.	Description	Qty
1	107434	BEARING, thrust	1	47	117493	SCREW, mach, hex washer hd	12
2	117828	PACKING, o-ring	1	51▲	15G866	LABEL, Ultra Max II Smart Control	1
3	111457	PACKING, o-ring	1	52		LABEL, front, Graco	
4	111600	PIN, grooved	1		15G824	495	1
8	116073	WASHER, thrust	1		15G825	595	1
9	116074	WASHER, thrust	1	53		LABEL, side, Graco	1
10	116079	BEARING, thrust	2		15G823	495	1
12	117501	SCREW, mach, hex washer hd	8		15G826	595	1
13	115099	WASHER, garden hose	1	54		MOTOR, includes 125, 126	
14	103413	O-RING	1		287805	495	1
15	15G455	MANIFOLD, ST Pro	1		287807	595	1
16	246384†	FILTER, fluid, 60 mesh	1	55	243993	HOSE, drain	1
17	15G456	CAP, manifold	1			includes 39	
18	287167	INSERT, filter	1	56	15B258	CORD, power, 490/495 (Lo/Hi Boy)	1
20	15B120	GROMMET, transducer	1		15D029	CORD, power, 595	1
22	287901	COVER, front, Graco, paint	1	57	246385	STRAINER, 7/8-14 unf	1
		includes 12, 65		59	287779	FRAME, cart, HI	1
23	287900	SHIELD, motor, painted	1	60	15B506	TUBE, suction	1
		includes 12				includes 14, 57, 69, 84	
24	162453	NIPPLE, (1/4 npsm x 1/4 npt)	2	61	246540	GUN, RAC 5, includes manual 309639	1
25	180131	BEARING, thrust	1		246233	GUN, RAC X, includes manual 309639	1
27	187625	HANDLE, valve, drain	1	62	276888	CLIP, drain line	1
29	195150	NUT, jam, pump	1	63▲	15H087	LABEL, danger	1
31	196750	SPRING, retaining	1	65▲	195792	LABEL, warning	1
32	196762	PIN, straight	1	67	109032	SCREW, pan hd	4
33	206994	FLUID, TSL	1	69	15E813	NUT, jam	1
34▲	222385	TAG, warning (not shown)	1	70	15C146	HOOK, pail	1
35	235014	VALVE, drain	1	74	287489	HANDLE	1
		includes 5, 26		74a	108068	PIN, spring, straight	2
36	224807	BASE, valve	1	74b	192027	SLEEVE, cart	2
38	243222	TRANSDUCER, pressure control	1	74c	111590	BUTTON, snap	2
		includes 3		74d	183350	WASHER	2
39	241920	DEFLECTOR, threaded	1	81	106062	WHEEL	2
40	287057	GEAR, reducer	1	82	15B999	CLIP, retaining	2
		includes 8, 10		83	104811	CAP, hub	2
41	246428	PUMP, displacement, ST	1	84	15B652	WASHER, suction	1
42	287899	HOUSING, drive	1	114	15D281	HANGER, stand	1
		includes 12, 47		115	15C982	CAM, cart	2
43	287053	ROD, connecting	1	116	114531	SCREW, mch, hex	4
		includes 31, 32		117	15G447	PLUG, tubing	2
44		GEAR, crankshaft	1	125	15D088	FAN, motor	1
		includes 1, 9, 25		126	115477	SCREW	1
	287054	490/495	1				
	248231	595	1				
45	287003	HOSE, cpld	1				
46	240794	HOSE, cpld, 1/4 in. x 50 ft	1				

▲ Extra Danger and Warning tags and labels available free.

† Other filters available: 246382, 100 mesh; 246383, 200 mesh; 246425, 30 mesh

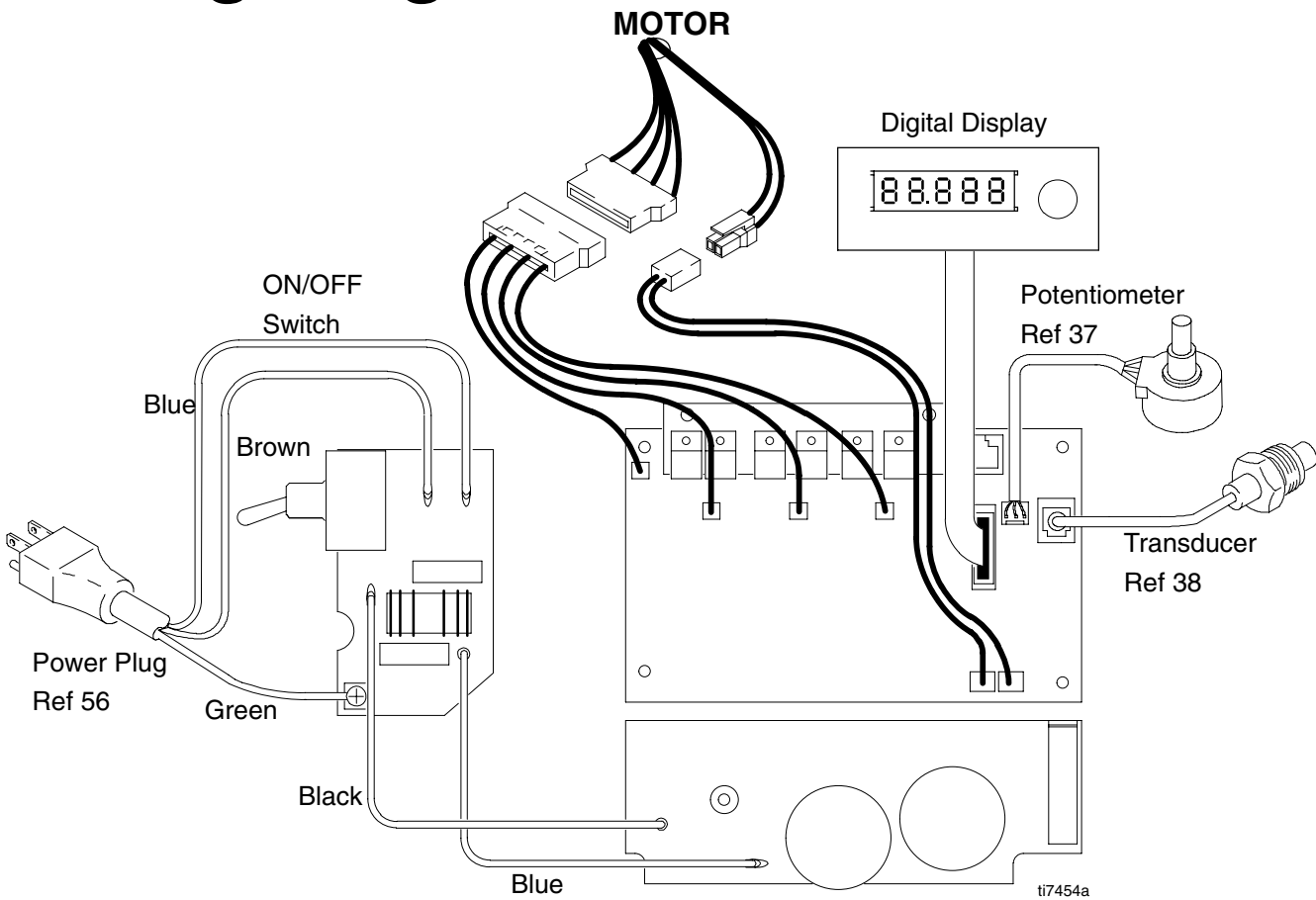
Parts Drawing - Sprayer



Parts List - Sprayer

REF NO.	PART NO.	DESCRIPTION	QTY	REF NO.	PART NO.	DESCRIPTION	QTY
5	15G562	BUSHING, control box	1	56		CORD, power	1
6	115494	SCREW, mach, philips, pan hd	6	56	253372	100V, model 249938 only	1
11	116167	KNOB, potentiometer	1		253378	100 V, model 253106 only	1
12	117501	SCREW, mach, hex washer hd	4		253373	230V	1
19	115498	SCREW, mach, slot, hex, wash hd	1	58	195428	BOOT, toggle	1
30	287912	BOARD, filter, 100V	1	90	195551	RETAINER, 230V	1
	287913	BOARD, filter, 230V	1	91		CORD	
37	236352	POTENTIOMETER, adjust, pressure includes 37a	1		242001	CEE 7/7	1
					242005	AUSTRALIA	1
37a	112382	NUT, potentiometer	1	92	244285	ADAPTER Japan	1
48	287907	BOX, control 100V models	1	105	287904	BOARD, control LCD	1
	287908	BOX, control 230V models	1	106	15G861	LABEL, smart control display	1
49	287909	BOARD, control 100V models	1	113	115522	SCREW, mch, pnh	1
	287910	BOARD, control 230V models	1	121	15G588▲	LABEL, digital tracking	1
50	287789	COVER, control box	1	129	158674	O-RING, packing	1
51▲	15G866	LABEL, Ultra Max II Int'l.	1				

Wiring Diagram



TO PLACE AN ORDER OR FOR SERVICE, contact your Graco distributor, or call this number to identify the distributor near you: **1-800-690-2894 Toll Free**

All written and visual data contained in this document reflects the latest product information available at the time of publication. Graco reserves the right to make changes at any time without notice.

This manual contains English mm 309707

Graco Headquarters: Minneapolis

International Offices: Belgium, Korea, China, Japan

GRACO INC. P.O. BOX 1441 MINNEAPOLIS, MN 55440-1441

<http://www.graco.com>

Written in USA 11/2002, Rev 12/2006