

Repair

MAGNUM™
by GRACO®



Interior Texture Sprayers **TexFinish™**

U.S. patent D526,045

309797 rev.P

For Water-Based Materials Only

Models: 246185, 246186, 249175, 249176

55 psi (3.79 bar) Maximum Fluid Working Pressure



Read warnings and instructions.

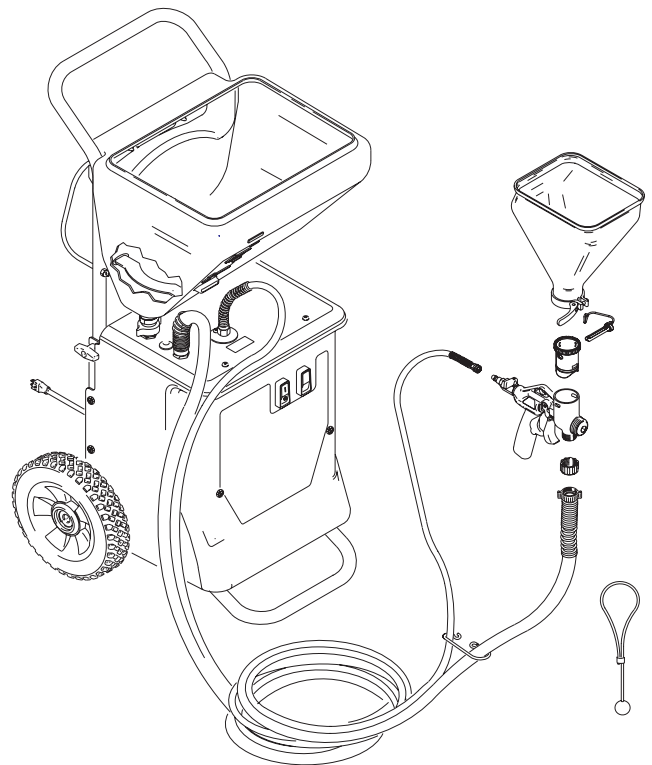
Related Manuals



[309584](#)



[309796](#)



ti3157b

Graco Inc. P.O. Box 1441 Minneapolis, MN 55440-1441

www.graco.com



Copyright 2003




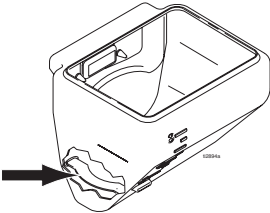

Graco Inc. is registered to I.S. EN ISO 9001


PROVEN QUALITY. LEADING TECHNOLOGY.



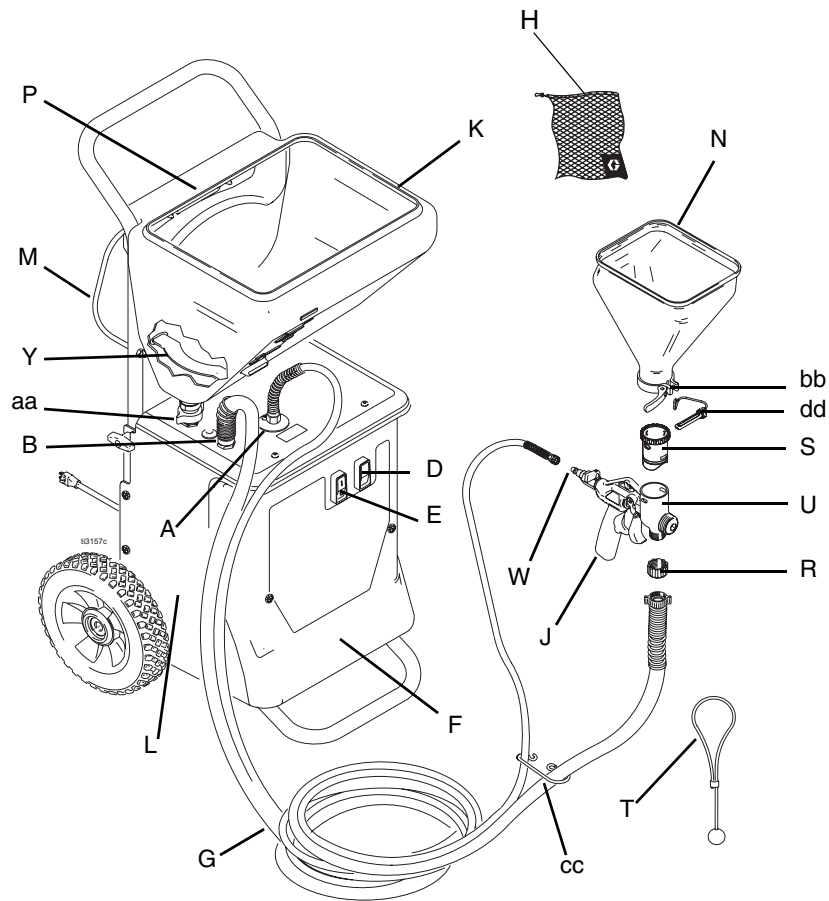
Conforms to ANSI/UL
standard 1450

WARNINGS	
	<p>Fire and Explosion Hazard Improper grounding, poor ventilation, open flames or sparks can cause a hazardous condition and result in fire or explosion and serious injury.</p> <ul style="list-style-type: none"> • The system is for use with water-based materials only. Only use fluids compatible with the equipment. Refer to Technical Data of all equipment manuals. Read fluid and solvent manufacturers warnings. • Ground the equipment. See Grounding and Electrical Requirements, page 5. • If there is any static sparking or you feel an electric shock while using this equipment, stop spraying immediately. Do not use the equipment until you identify and correct the equipment until you identify and correct the problem. • Keep work area free of debris, including solvent, rags and gasoline. • Comply with all applicable state and national fire, electrical and safety regulations.
	<p>Equipment Misuse Hazard Equipment misuse can cause equipment to rupture, malfunction, or start unexpectedly and cause serious injury.</p> <ul style="list-style-type: none"> • Before operating this equipment, read all manuals, tags, and labels, including material labels and instructions. • Do not expose system to rain. Always store system indoors. • Do not alter or modify equipment. • Do not spray cementitious materials. • Do not exceed maximum working pressure of lowest rated component in your system. • Check equipment daily. Repair or replace worn or damaged parts immediately. • To reduce risk of serious injury, including electric shock and splashing fluid in eyes, follow Pressure Relief Procedure on page 5 before servicing the unit. • Do not use hoses to pull equipment. • Route hoses away from traffic areas, sharp edges, moving parts and hot surfaces. Do not expose Graco hoses to temperatures above 130 F (55 C) or below -35 F (-37 C). • Air hoses at the compressor end, can get very hot! Allow sprayer to cool down 15 minutes before removing air hose. • Store hazardous fluid in an approved container. Dispose of hazardous fluid according to all local, state and national guidelines. • Never directly inhale compressed air. Compressed air may contain toxic vapors.

WARNINGS	
 	<p>Electric Shock Hazard To reduce the risk of electric shock:</p> <ul style="list-style-type: none"> • Be sure sprayer is adequately grounded through electrical outlet, page 5. • Use only 3-wire, extension cords. • Make sure ground prongs are intact on sprayer and extension cords. • Do not operate with cover removed. • Turn off sprayer. Follow Pressure Relief procedure, page 5, and unplug unit, before removing any parts.
	<p>Pressurized Equipment Hazard Fluid from gun, leaks or ruptured components can splash in the eyes or on skin and cause serious injury.</p> <ul style="list-style-type: none"> • Follow Pressure Relief Procedure, page 5 when you stop spraying and before cleaning, checking or servicing. • Do not point spray gun at anyone; put hand, fingers or rag over nozzle, or stop or deflect leaks with your hand, body, glove, or rag. • Wear protective clothing, gloves, and eyewear. <div style="display: flex; align-items: flex-start;"> <div style="flex: 1;">  </div> <div style="flex: 2;"> <ul style="list-style-type: none"> • Before adding material to hopper, install burp guard. When only a small amount of material remains in the hopper, the burp guard prevents material from shooting out when the unit is turned off. This material could splash in the operator's eyes or on skin, or into the air. </div> </div>
	<p>Cleaning Solvent Hazard with Plastic Parts Use only compatible water-based solvents to clean plastic structural or pressure-containing parts. Many solvents can degrade plastic parts to the point where they could fail. Such failure could cause serious injury or property damage. See Technical Data on page 25 of this instruction manual and in all other equipment manuals. Read fluid and solvent manufacturer's warnings.</p>

	<p>CAUTION</p> <p>Water or material remaining in unit when temperatures are below freezing can damage motor and/or delay pump startup.</p> <p>To insure water and material are completely drained out of unit:</p> <ol style="list-style-type: none"> 1. Remove material line from sprayer. 2. Tip sprayer up as shown. <p>Before adding material or starting unit in cold weather, run warm water through pump.</p>
---	---

Component Identification



t3157b

Item	Component	Item	Component
A	Air hose outlet	P	Nozzle storage
B	Material hose outlet	R	Hose plug
D	Hopper gun/spray gun selector switch	S	Gun plug
E	ON/OFF switch	T	Material thickness gauge
F	Air Compressor (inside)	U	Nozzle
G	Material/air hose	W	Gun air valve
H	Mesh nozzle holding bag	Y	Burp guard
J	Texture spray gun (manual 309584)	aa	Hopper fitting (fluid inlet)
K	Material Hopper	bb	Hopper clamp
L	Graco RotoFlex™ pump (inside)	cc	Hose clip
M	Hose rack/cord wrap	dd	Gun plug clip
N	Touch-up hopper (3/4 gallon)		

Preparation

Pressure Relief



To reduce risk of injury, follow this procedure whenever you see this symbol throughout this manual, Also, perform this procedure whenever you:

- stop spraying.
- check or repair any part of this system.
- install or clean spray nozzle.

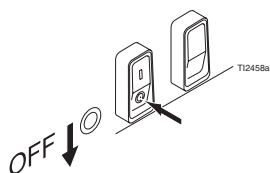


WARNING

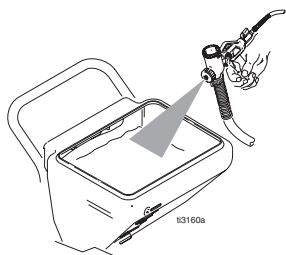


page 2

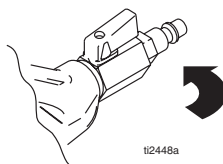
1. Turn Power Switch OFF.



2. Trigger gun into material hopper.



3. Open gun air valve.



Grounding and Electrical Requirements

This sprayer must be grounded. Grounding reduces the risk of electrical shock by providing an escape wire for the electrical current. The sprayer cord includes a grounding wire with an appropriate grounding plug. The plug must be plugged into an outlet that is properly installed and grounded in accordance with all local codes and ordinances.

Check with a qualified electrician or serviceman if grounding instructions are not completely understood, or if in doubt as to whether the product is properly grounded. Do not modify plug provided; if it will not fit the outlet, have proper outlet installed by a qualified electrician.



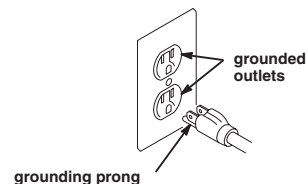
WARNING



page 2

120V AC Systems

- This equipment requires a 120V AC, 60 Hz, 15A circuit with a grounding receptacle. Do not use an adapter with this product.



Extension Cords

- Use only an extension cord with an undamaged, 3-prong plug.
- For 25 to 50 ft (7.6 to 15.2 m) cords, use 3-wire, 14 AWG (1.5 mm²) minimum.
- For up to 100 ft. (30.48 m) cord, use 3-wire, 12 AWG (2.5 mm²) minimum.

Auxiliary Air Compressor

Do not use an auxiliary air compressor with this spray system.

Generator Requirements

3500 W (3.5 KW) minimum.

Hose Size and Length

The system comes with a hose set consisting of a 3/4 in. ID x 25 ft (25 mm x 7.6 m) material hose and a 3/8 in-ID air hose.

Do not use more than 25 ft. (7.6 m) of material hose.



WARNING



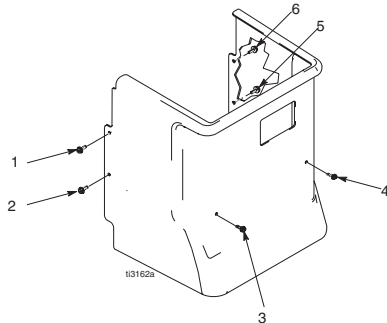
page 2

RotoFlex™ Pump

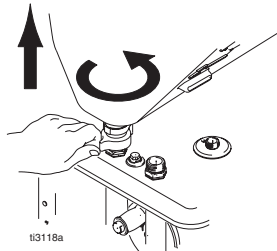
Use RotoFlex Pump Kit 234156.

Disassembly

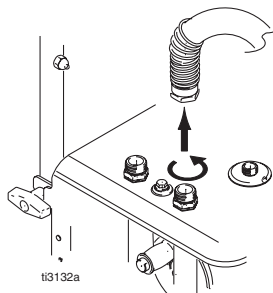
1. **Relieve Pressure**, page 5.
2. Unplug sprayer from outlet.
3. Remove shroud (6 bolts).



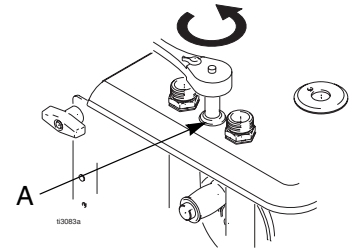
4. Remove hopper by loosening bottom fitting and then lifting hopper straight up, off unit.



5. Remove material hose.

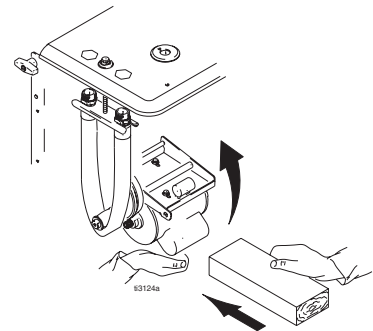


6. Loosen bolt (A) located between air and material hose outlets. Unscrew bolt to lower plate, leaving about 4-5 threads on bolt.

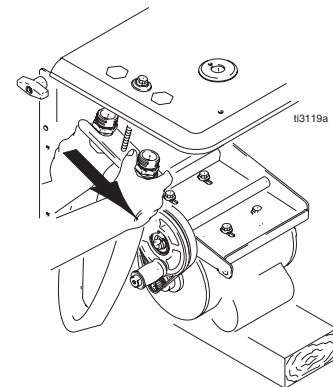


DO NOT REMOVE BOLT COMPLETELY.

7. Slide a 2 x 4 under motor for support.



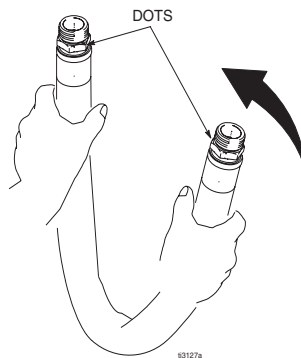
8. Rotate plate. Slide hose off by pushing outward on hose fitting.



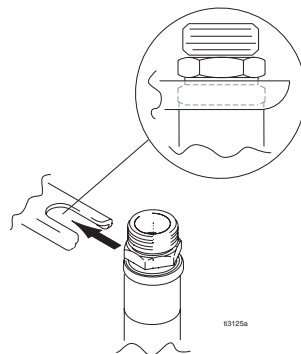
Reassembly

Reinstall RotoFlex Pump hose on plate.

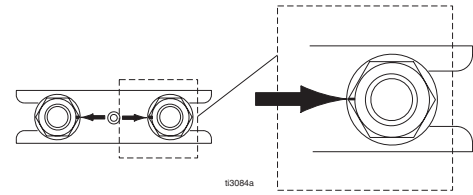
1. Kink hose as shown, making sure dots located on hose fitting face each other.



2. Slide hose onto plate as shown below, making sure plate slides into slot between hex fitting on end of hose.



3. Align dots located on hose fitting, making sure they are facing each other at all times to ensure the hose does not twist during reinstallation.



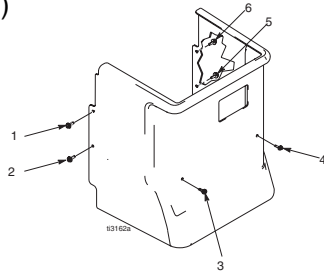
4. Reposition plate, aligning hex fittings with enclosure openings.
5. Remove 2 x 4 support under motor.
6. Tighten bolt. As bolt is tightened the plate will snug back into place.
7. Replace shroud (6 bolts).
8. Replace hopper.
9. Break in new pump by running dry or with warm water for 3-5 minutes.

Compressor Repair

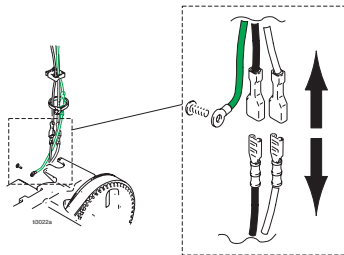
Use Compressor Repair Kit, 234211.

Disassembly

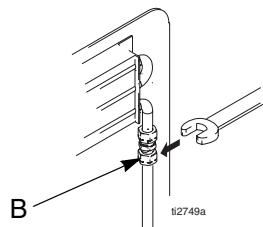
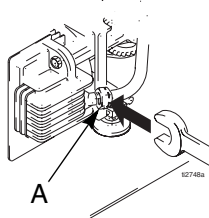
1. Relieve Pressure, page 5.
2. Unplug sprayer.
3. Remove shroud (6 bolts)



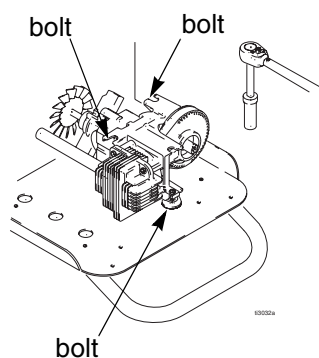
4. Remove green ground wire and black, and white wires to compressor.



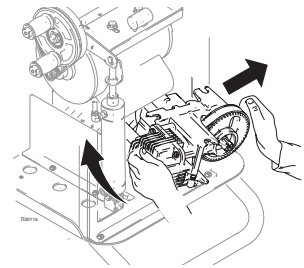
5. Loosen fittings (A and B) and remove air line.



6. Using a socket wrench with extension, loosen bolts (3).



7. Tilt compressor forward and remove from housing.



CAUTION

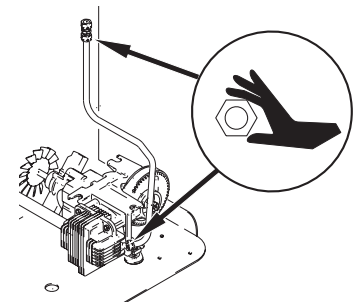
Fan blades are very delicate and can be damaged very easily. When removing or replacing compressor, do not bump or jar shroud or fan blades.

8. Thoroughly clean inside housing, removing dust and debris.

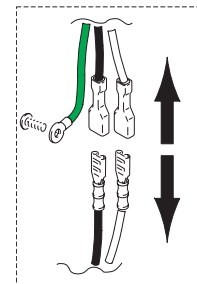
Reassembly

1. Carefully position compressor in housing.
2. Replace bolts using socket wrench to tighten. Torque to 85 in. lbs.

3. Reattach air lines to compressor. Finger tighten plus one full turn, fittings (A and B).



4. Reattach 3 wires to compressor matching green to green, black to black and white to white.



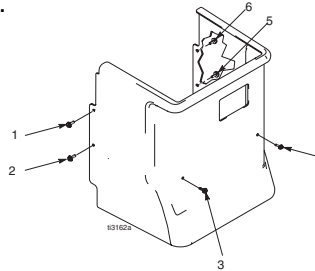
5. Replace shroud. Tighten bolts (6).

Roller Replacement

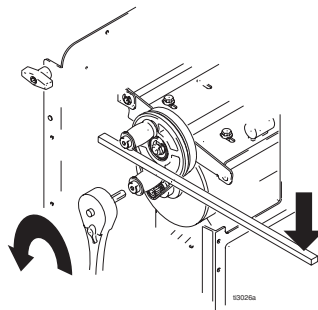
Use Roller Repair Kit 234214.

Disassembly

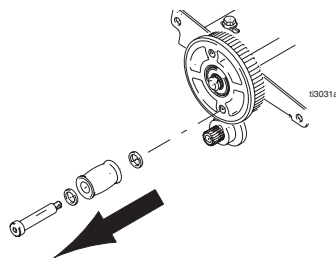
1. **Relieve Pressure**, page 5.
2. Unplug sprayer from outlet
3. Remove shroud (6 bolts).



4. Remove RotoFlex Pump, page 6.
5. Using a crow bar as a wedge to keep rollers from moving, loosen shoulder bolt.



6. Remove rollers.

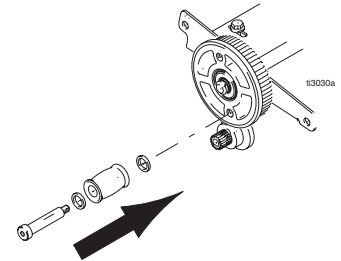


Reassembly

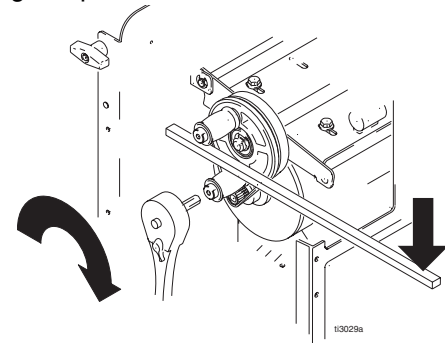
CAUTION

When installing bolt through roller, keep nylon washer on shoulder of bolt.

1. Replace rollers.



2. Using a crow bar as a wedge to keep rollers from moving, torque bolts to 40 ft. lbs.



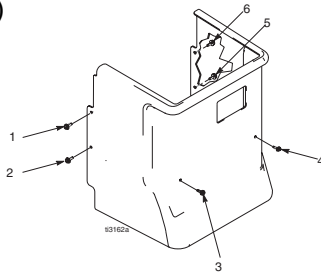
3. Reinstall RotoFlex Pump hose on plate, page 6.
4. Replace shroud. Tighten bolts (6).

Cylinder

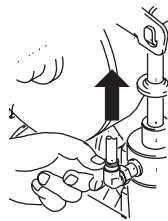
Use Cylinder Repair Kit 246574.

Disassembly

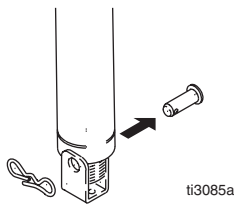
1. **Relieve Pressure**, page 5.
2. Unplug sprayer from outlet.
3. Remove shroud (6 bolts)



4. Disconnect air hose at quick disconnect fitting.

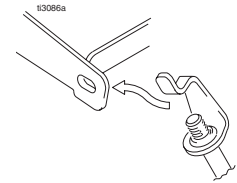


5. Remove clip.
6. Remove pin.



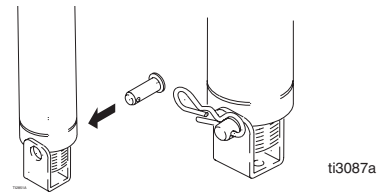
Reassembly

1. Insert swing arm through hole.



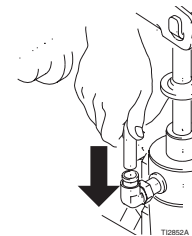
2. Align hole in bottom of cylinder with holes in bottom bracket.

3. Feed pin through.



4. Replace clip.

5. Reattach air hose to quick disconnect fitting.



6. Replace shroud. Tighten bolts (6).

7. Pull swing arm out of opening.

Capacitor Replacement

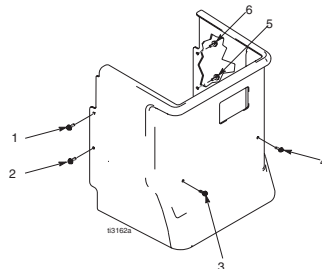
Use Capacitor Replacement Kit 246683.

⚠ WARNING

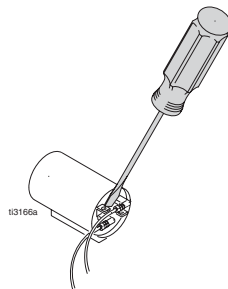
page 2

Disassembly

1. **Relieve Pressure**, page 5.
2. Unplug sprayer.
3. Remove shroud, (6 bolts).



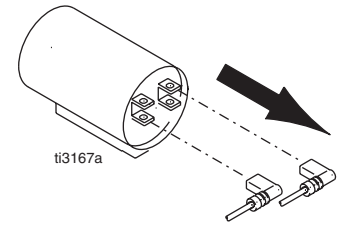
4. Capacitors can hold a charge. To prevent electric shock, use a flat bladed screw driver as a conductive device to short out the terminals. To do this, touch the blade of the flat screw driver between two terminal posts on the capacitor.



⚠ CAUTION

Do not touch metal part of screw driver when shorting out capacitor.

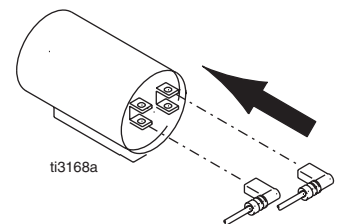
5. Cut strap.
6. Unplug capacitor and remove.



7. Clean surface to remove dirt and any remaining adhesive.

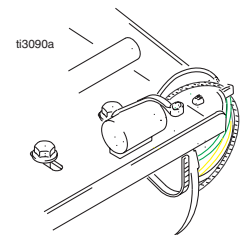
Reassembly

1. Remove backing from one side of two-sided tape provided in kit and apply to bottom of capacitor.
2. Plug in new capacitor.



Wires are not polarized. It does not matter which wires are connected together between capacitor and motor.

3. Remove backing from bottom of two sided tape. Attach capacitor to plate, pressing taped side firmly into position. Secure using a wire tie.
4. Replace shroud. Tighten bolts (6).

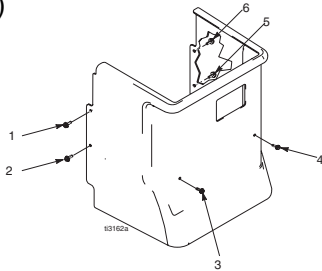


Motor Repair

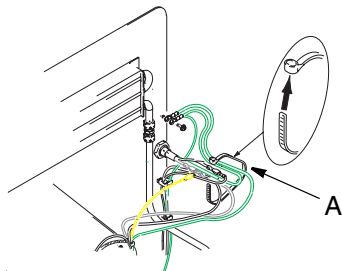
Use Motor Repair Kit 246572.

Disassembly

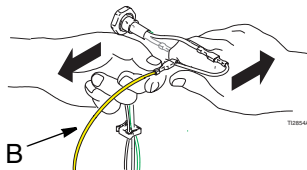
1. Relieve Pressure, page 5.
2. Unplug sprayer from outlet.
3. Remove shroud (6 bolts)



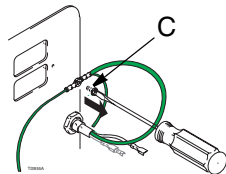
4. Remove RotoFlex Pump hose; page 6.
5. Remove Air Cylinder; page 10.
6. Cut wire tie (A).



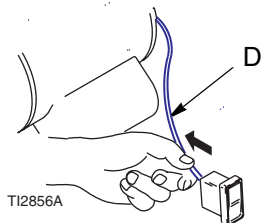
7. Remove yellow wire (B).



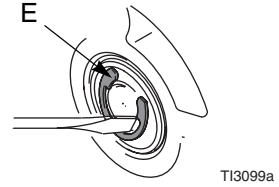
8. Remove ground nut (C).



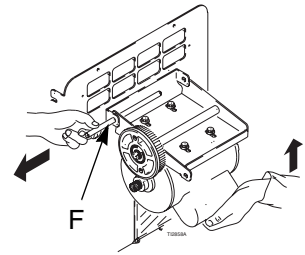
9. Remove blue wire to switch (D).



10. Using a flat screw driver, remove c-clip (E).

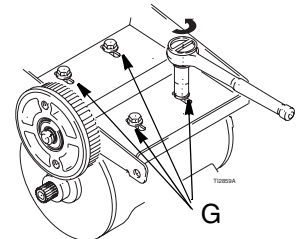


11. Using your hand to support the motor, carefully pull rod (F) out through back.

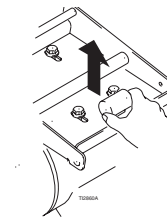


12. Bring motor to work-bench.

13. Remove 4 bolts (G) holding motor to bracket.



14. Cut wire tie. Remove capacitor from plate, page 11.

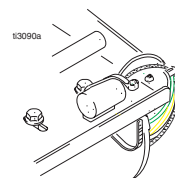


Reassembly

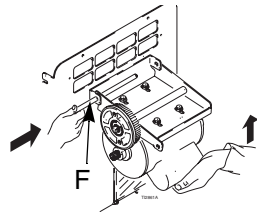
1. Reposition motor in housing, keeping motor square and aligned to pulley.
2. Keeping tension on belt, tighten 4 bolts (G). Torque to 15 ft-lbs.

The motor will have a tendency to move when bolts are being tightened. Hold it securely in place, square and aligned to pulley.

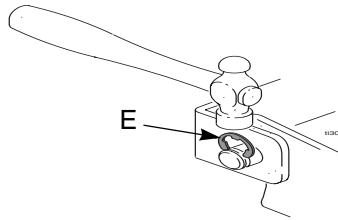
3. Secure new capacitor to plate, page 11.



- Using one hand to support motor, slide rod (F) through motor bracket.



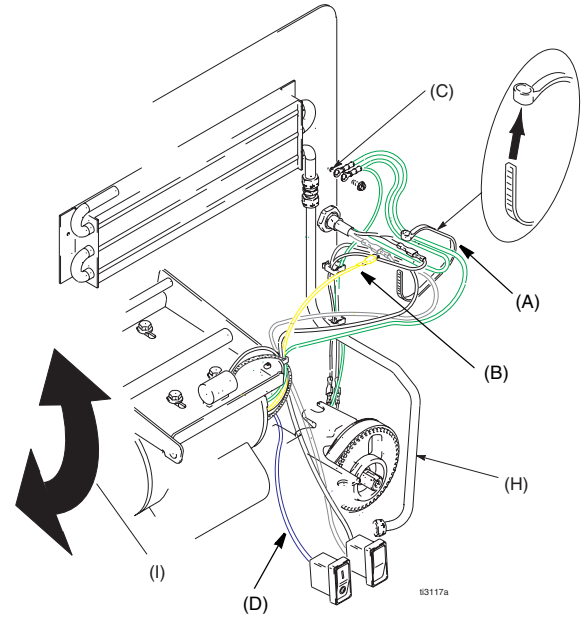
- Replace c-clip (E).



For steps 6-9 refer to illustration below Step 9.

- Reattach blue wire to switch (D).
- Replace ground nut (C).

- Reattach yellow wire (B).
- Secure all wires together with wire tie (A), making sure the wires do not touch air line (H) and the motor can swing the full travel (I) without stressing wires.



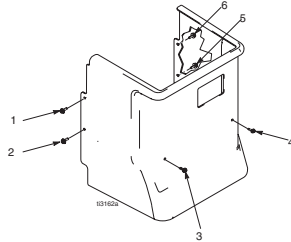
- Reconnect RotoFlex Pump hose, page 6.
- Replace shroud. Tighten bolts (6).

Cooler Repair

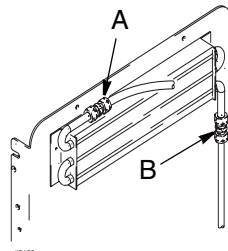
Use Cooler Repair Kit 246578.

Disassembly

1. **Relieve Pressure**, page 5.
2. Unplug sprayer.
3. Remove shroud (6 bolts).

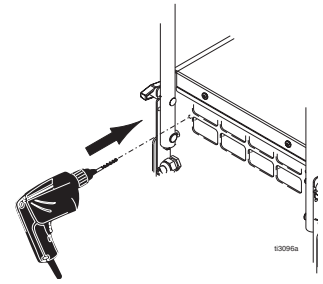


4. Loosen nuts (A and B).



5. Disconnect air hose at fitting.

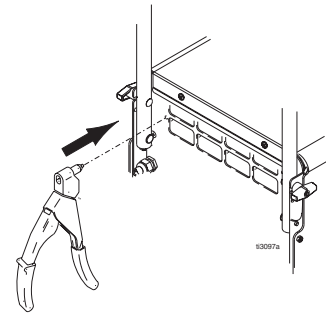
6. Carefully drill out rivets.



7. Pull cooler out of housing.

Reassembly

1. Install cooler in housing.
2. Rivet (or use fasteners) in place.



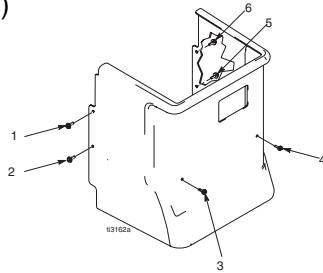
3. Reconnect tubing.
Torque nuts (A and B) one full turn beyond hand tight.
4. Replace shroud. Tighten bolts (6).

Relief Valve Replacement

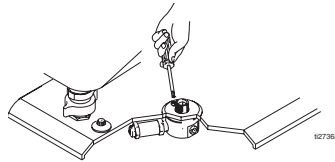
Use Air Relief Valve Kit 246580.

Disassembly

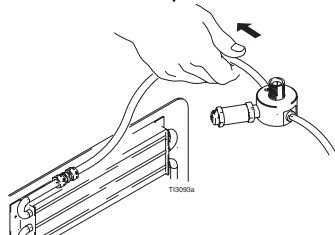
1. **Relieve Pressure**, page 5.
2. Unplug sprayer.
3. Remove shroud (6 bolts)



4. Remove screw on top of unit.
5. Remove air lines.

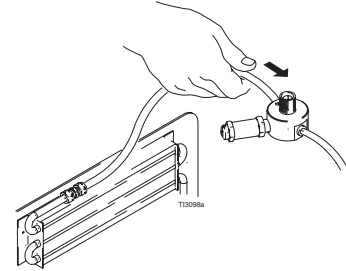


6. Pull air manifold down through inside of housing.
7. Disconnect air hose at quick disconnect fitting.

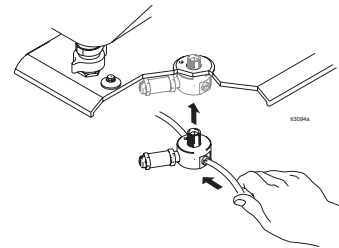


Reassembly

1. Reattach air hoses at quick disconnect fitting.



2. Slide air manifold back into position inside housing.



3. Replace screw on top of unit - torque to 30 in. lbs.
4. Replace shroud. Tighten bolts (6).

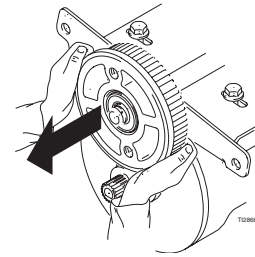
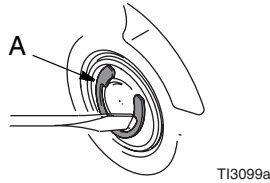
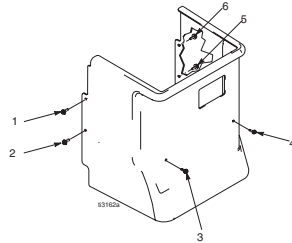
Rotor Replacement

Use Rotor Kit 246585 (includes Roller Kit 234214)

7. Remove rotor.

Disassembly

1. **Relieve Pressure**, page 5.
2. Unplug sprayer.
3. Remove shroud (6 bolts).
4. Remove RotoFlex pump hose, page 6, Disassembly, steps 4-8.
5. Remove rollers, page 9, Disassembly.
6. Using a flat screwdriver, remove c-clip (A).



Reassembly

1. Install rotor with flange facing outward.
2. Replace c-clip (A).
3. Install rollers, page 9, Reassembly.
4. Install RotoFlex Pump hose and shroud, page 7, Reassembly.

Troubleshooting

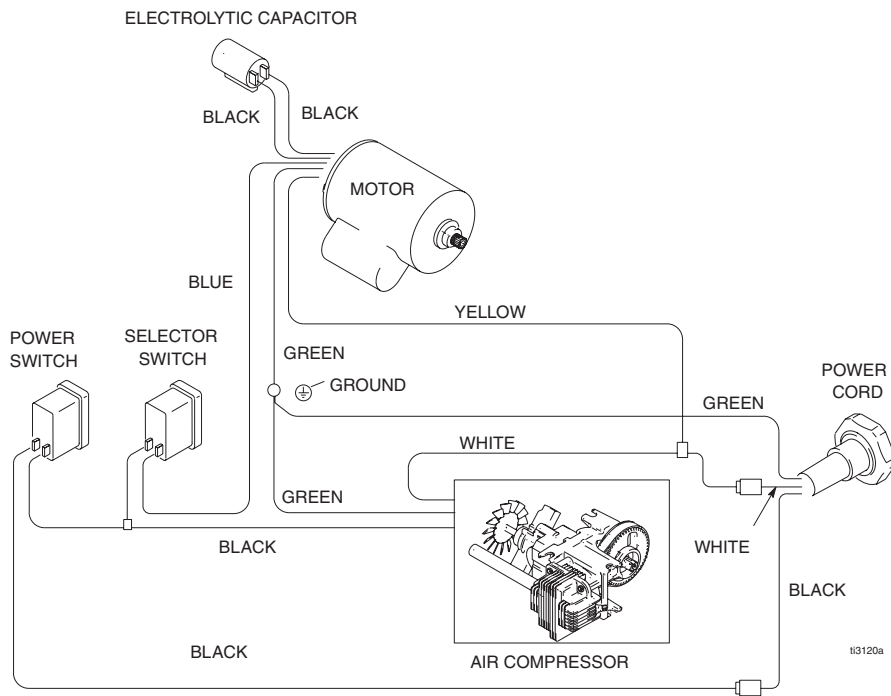


Pressure Relief, page 5

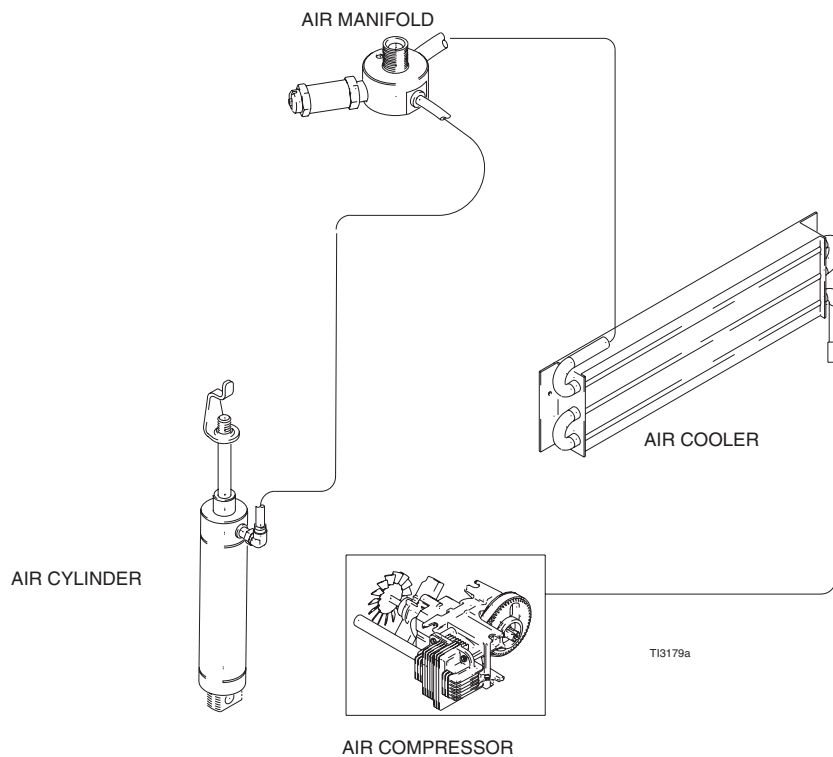
Problem	Cause	Solution
Sprayer won't run	Power switch not on	Turn switch on.
	No power at wall outlet	Check outlet by plugging in another appliance. If appliance does not work, try another outlet.
	Wrong size generator	Use a 3500 watt or larger generator. Refer to Generator Requirements, page 5
	Too many items on same circuit	Unplug other items from circuit
	Extension cord too long or wrong gauge	Use a different extension cord. Refer to Grounding and Electric Requirements, page 5
	Breaker tripped	Reset breaker
Pump won't pump material	Selector switch in wrong position	Move selector switch to correct position for application
	Air lock	Open air valve on gun
	Mix too thick	Add water to thin material. Use Material Thickness Gauge.
	Loose fittings	Check and retighten all fittings
	Plugged gun	Relieve Pressure , page 5. Remove gun from hose. Clean gun.
	RotoFlex pump worn out	Replace hose. Recommended hose replacement - once a year or every 3000 gallons.
	Pump cold or material frozen in pump	Move pump to warm room and allow it to warm up or run hot water through sprayer.
	Motor start capacitor failure	Replace capacitor and restart
Material runs out of bottom of sprayer	RotoFlex pump worn out	Replace hose
	Loose fittings	Check and retighten all fittings
No air from compressor	Gun air valve closed	Open gun air valve
	Low voltage	Check extension cord length and gauge. Replace if different than recommended. Refer to Grounding and Electrical Requirements, page 5.
	Gun needle plugged	Clean needle and retry.
	Lines not connected	Check all quick disconnect connections to gun and hoses
	Damaged hose	Replace hose
	Worn compressor	Replace compressor. Contact a qualified Graco Service Center.

Problem	Cause	Solution
Speed of application too slow	Material too thick	Thin material.
	Nozzle too small	Change nozzles to a larger size. See Operation Manual, Recommended Nozzle Selection Chart, page 10.
	Too much air being used.	Partially close gun air valve to reduce air flow.
	Plugged or dirty gun	Relieve Pressure , page 5. Clean gun.
	Kinked hose	Unkink hose.
	Gun fluid flow adjustment set too low	Increase flow adjustment with flow adjustment nut.
	RotoFlex pump worn	Replace hose.
Intermittent flow/sputtering	Hopper connection not tight	Check gasket. Tighten connection.
	Debris in system	Clean
Quick disconnect does not stay connected.	Dirty or corroded fitting	Clean thoroughly. Soak in oil. Apply a few drops of light oil.
Gun will not shut off	Worn nozzle or needle.	Relieve Pressure , page 5. Replace worn parts.
	Debris in needle passage	Relieve Pressure , page 5. Clean.
Fluid leaking at Flow Adjustment Nut	Damaged seal.	Relieve Pressure , page 5. Replace seal.
Fluid leaking out of either plug	Missing or damaged o-rings	Relieve Pressure , page 5. Replace o-rings.
	Gun damaged	Replace gun
Needle adjustment won't adjust	Dirty threads	Clean threads
	Nozzle not on gun	Put nozzle on gun

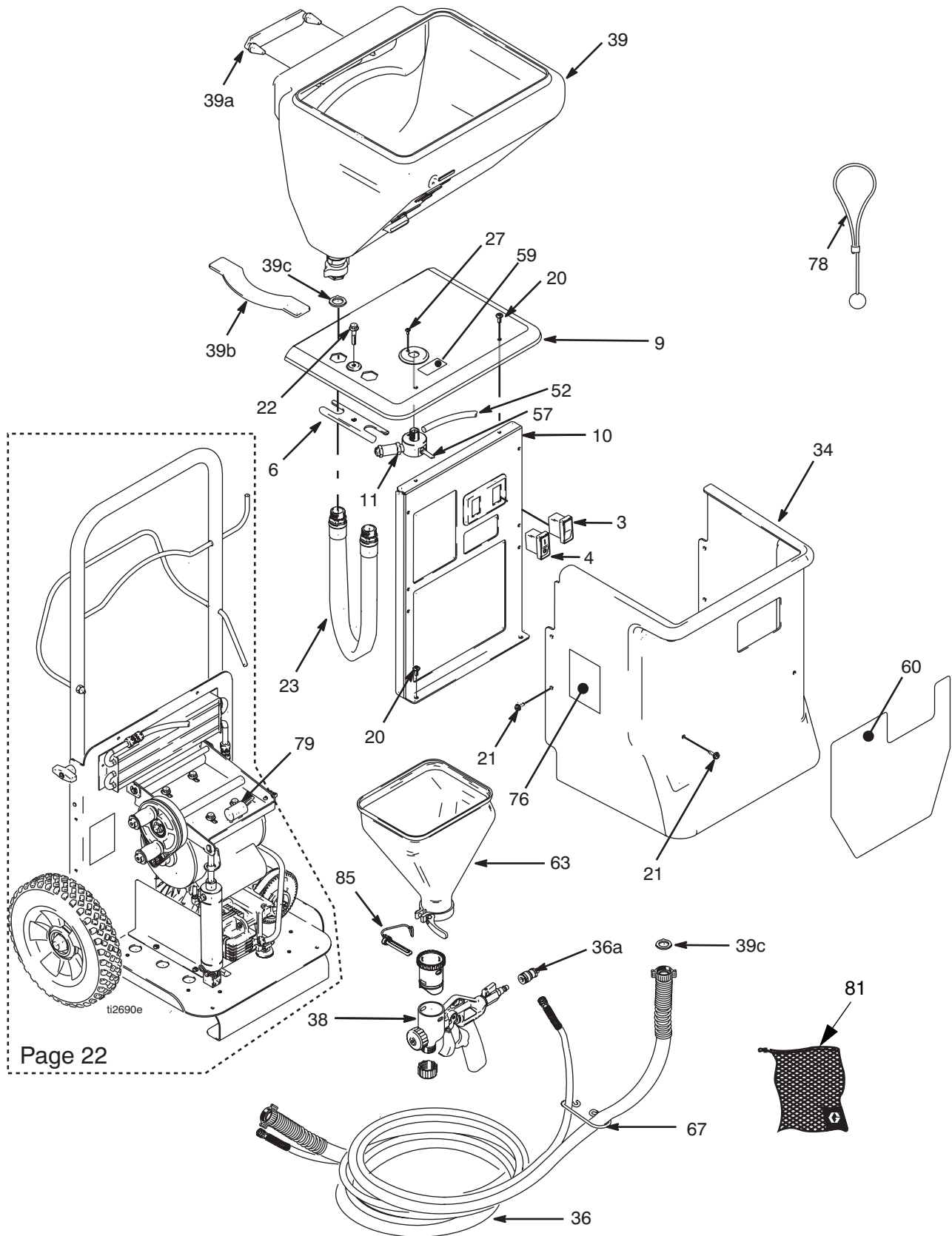
Wiring Diagram



Air Diagram



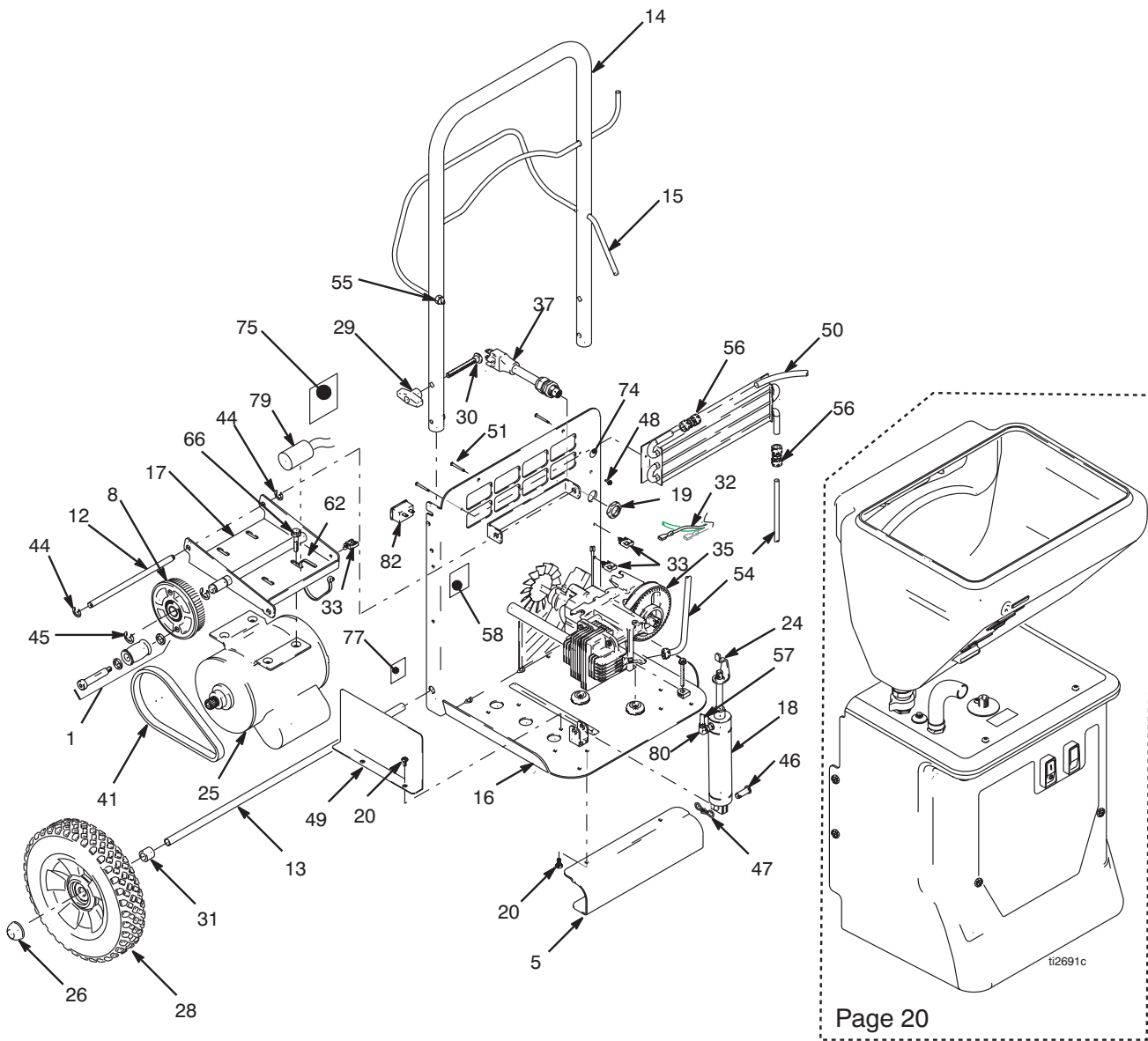
Parts



Ref No.	Part No.	Description
3	117563	SWITCH, selector
4	117693	SWITCH, on/off
6	15A903	PLATE, hose
9	15C087	PLATE, frame, top
10	15B873	SUPPORT, front, frame
11	246580	KIT, manifold, air, includes 19
20	117630	SCREW, torx, tri-lob
21	117633	SCREW, slot, hex wash hd
22	117636	SCREW, hex hd, flanged
23	234157	KIT, RotoFlex pump
27	113415	SCREW, mach, torx pan hd
34	15B865	SHIELD
36	234148	KIT, hose
36a	248930	KIT, quick disconnect
38	234217	GUN, texture, manual 309584
39	246316	HOPPER, 6-gallon

Ref No.	Part No.	Description	Qty
39a	15B676	STORAGE, nozzle	1
39b	15B990	GUARD, burp	1
39c	115099	GASKET	1
52	15B823	TUBE, air	1
57	15B822	TUBE, air	1
59▲	290228	LABEL, caution	1
60▲	15B889	LABEL	1
63	234222	HOPPER, texture, .75 gal	1
67	15B986	CLIP, spring	1
76▲	15C128	LABEL, danger	1
78	15C090	GAUGE, material thickness	1
79	246683	KIT, capacitor	1
81	15H240	BAG, mesh	1
85	287967	CLIP, plug, gun	1

▲ Replacement Danger and Warning labels, tags and cards are available at no cost.



Page 20

Ref No.	Part No.	Description	Qty	Ref No.	Part No.	Description	Qty
1	234214	KIT, roller	1	37	15B507	CORD set, power, model 246185, 246186	1
5	15B858	LEG, frame	1		15F404	CORD set, power, model 249175, 249176	
8	246585	KIT, pulley, includes 1, 2, 41	1	41	117672	BELT, GT2, 3mm	1
12	15B439	SHAFT, pivot, motor tray	1	44	101134	RING, retaining, ext.	1
13	15B530	ROD, axle	1	45	101242	RING, retaining, ext	2
14	15B861	HANDLE,	1	46	117671	PIN, clevis	1
15	15B543	RACK, hose	1	47	117668	PIN, cotter, bow tie	1
16	15B857	FRAME, bottom, model 246185, 246186	1	48	115498	SCREW, mch, hx wash hd	1
	249204	FRAME, bottom model 249175, 249176	1	49	15B783	SHIELD, spray	1
17	246189	TRAY, motor	1	50	246578	KIT, cooler, air, includes 51, 54, 56	1
18	246574	KIT, cylinder, air, includes 24, 46, 47	1	51	113084	RIVET, blind	2
19	117625	NUT, locking, model 246185, 246186	1	54	15B818	TUBE, air	1
	15F408	NUT, locking, model 249175, 249176	1	55	115651	NUT, hex, acorn, 5/16-18	1
20	117630	SCREW, torx, tri-lob	8	56	117728	FITTING, compression, union	2
24	15B529	ARM, cylinder	1	57	15B822	TUBE, air	1
25	246572	KIT, motor, AC, includes 41, 66, 79	1	58▲	198492	LABEL, warning	1
26	112612	CAP, hub	2	62	103473	STRAP, tie, wire	2
28	115095	WHEEL, 9"	2	63	234222	HOPPER, texture, .75 gal	1
29	115480	KNOB, t-handle	2	66	117791	SCREW, cap, tri-lobe	4
30	116630	SCREW, carriage	2	74▲	186620	LABEL, symbol, ground	1
31	195367	SPACER	2	75▲	15C127	LABEL, instruction	1
32	15B585	HARNESS, wiring	1	77▲	291292	LABEL, identification	1
33	117727	CLIP, wire	3	79	246683	KIT, capacitor	1
35	234211	KIT, compressor, air, includes 54	1	80	*113318	ELBOW	1
					*104172	FITTING	1
				82	117472	METER, hour	1

* When repairing elbow, order both part numbers for 80



A series of 20 horizontal lines spanning the width of the page, providing a template for writing.

Technical Data

Main unit power requirements	120 Vac, 60 Hz, 15A, 1 phase
Maximum fluid working pressure	55 psi, (3.8 bar)
Maximum air working pressure	38 psi (2.6 bar)
Compressor specifications	Universal motor thermally protected, oil-less
Compressor air displacement	4.5 displacement scfm at 30 psi
Generator required	3500 W minimum
Electric Motor	
Material pump motor	Capacitor start 1/3 hp AC, 2.8A open frame
Compressor motor	Universal AC 10.5A
Power Cord	14 AWG, 3-wire, 25 ft (model 249175, 249176) 16 AWG, 3-wire, 25 ft (model 246185, 246186)
Material hopper capacity	6 gallons Gun material hopper: 3/4 gallon
Maximum delivery with texture	0.75 gpm (2.8 lpm)
Dimensions:	
Length	23 in. (584 mm) with handle
Width	23 in. (584 mm)
Height	39 in. (991 mm)
Weight	
Without hoses or gun	75 lb (34 kg)
Wetted parts	brass, aluminum, plastic
Sound data	
Sound pressure level*	83.2 dB(A)
Sound power level**	97.5 dB(A)
Storage Temperature Range	35°F - 160°F (1.6°C - 71°C)
Operating Temperature Range	40°F - 115°F (4°C - 46°C)
Gun:	
Maximum Working Pressure	60 psi (4.137 bar)
Air Maximum Working Pressure	100 psi (6.895 bar)
CFM Rating	3.5 - 11 CFM
Weight	1.1 lb (500 g)

* Measured while spraying at 1 m.

** Measured per ISO-3744

Limited Warranty

Graco warrants to the original purchaser (other than for purposes of resale or rental) all equipment manufactured by Graco and bearing its name to be free from defects in material and workmanship if operated in accordance with Graco's printed recommendations and instructions. This warranty applies for one year from the date of purchase.

This warranty does not cover and Graco shall not be liable for general wear and tear, or any malfunction, damage, or wear caused by improper use, accidents, user negligence, use of non-Graco component parts or service or repair performed by anyone other than a Graco authorized service center.

IMPLIED WARRANTIES, INCLUDING THOSE OF MERCHANTABILITY AND FITNESS FOR A PARTICULAR PURPOSE, ARE LIMITED TO ONE YEAR FROM THE DATE OF ORIGINAL PURCHASE.

GRACO SHALL NOT IN ANY EVENT BE LIABLE FOR INCIDENTAL, INDIRECT, OR CONSEQUENTIAL LOSS, DAMAGE OR EXPENSE OF ANY KIND, WHETHER FROM BREACH OF THIS WARRANTY OR ANY OTHER REASON. Some states do not allow the exclusion or limitation of incidental or consequential damages, so the above limitation or exclusion may not apply to you.

To make a claim under this warranty, return the product with proof of purchase, transportation prepaid, to any Authorized Graco Service Center. Graco's Authorized Service Center, at its option, will either repair or replace the product and return it to you, postage, prepaid. To find the nearest Graco Authorized Service Center call 1-888-541-9788 or visit our website at www.Graco.com

This warranty gives you specific legal rights and you may also have other rights which may vary from state to state.

All written and visual data contained in this document reflects the latest product information available at the time of publication. Graco reserves the right to make changes at any time without notice.

This Manual contains English: MM 309797

Sales Office: Minneapolis
International Offices: Belgium, Korea, China, Japan
Written in USA 1/2003, Rev. 9/2006