

# FinishPro™ 390/395 Airless/Air-Assisted Sprayer

312100 rev.A

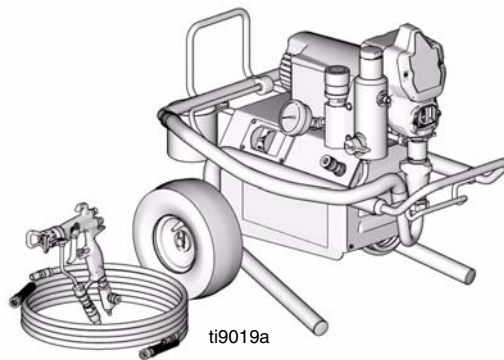
**- For the application of architectural paint and coatings -**

*Maximum Working Pressure Airless Spraying: 3300 psi (227 bar, 22.7 MPa)  
Maximum Working Air Pressure: 35 psi (2.4 bar, 0.24 bar)*

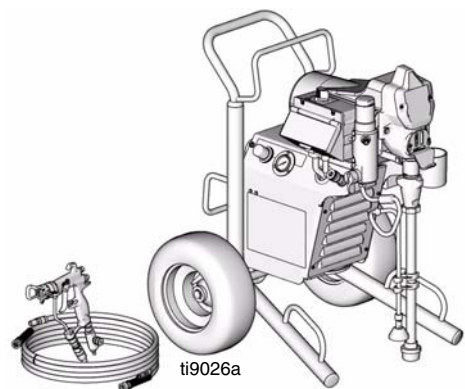
**Models:**

Region	FinishPro 390	FinishPro 395
US	249690	249691
Europe CEE 7/7	255110	255111
Europe Multi Cord	255112	255113
UK	255114	255115
Asia/Australia	255116	255117

**FinishPro 390**



**FinishPro 395**



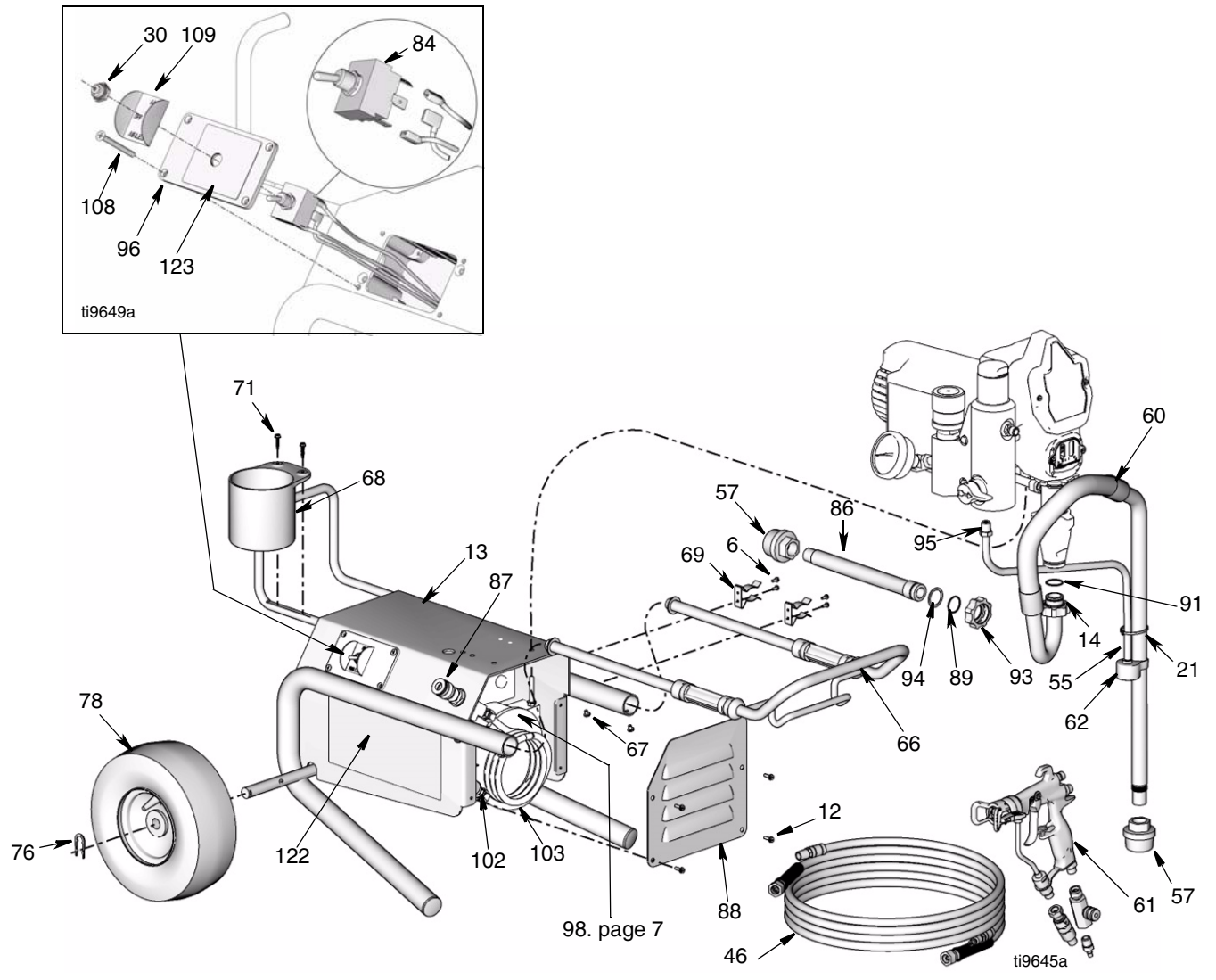
This manual contains English, French, Spanish, Italian, Dutch

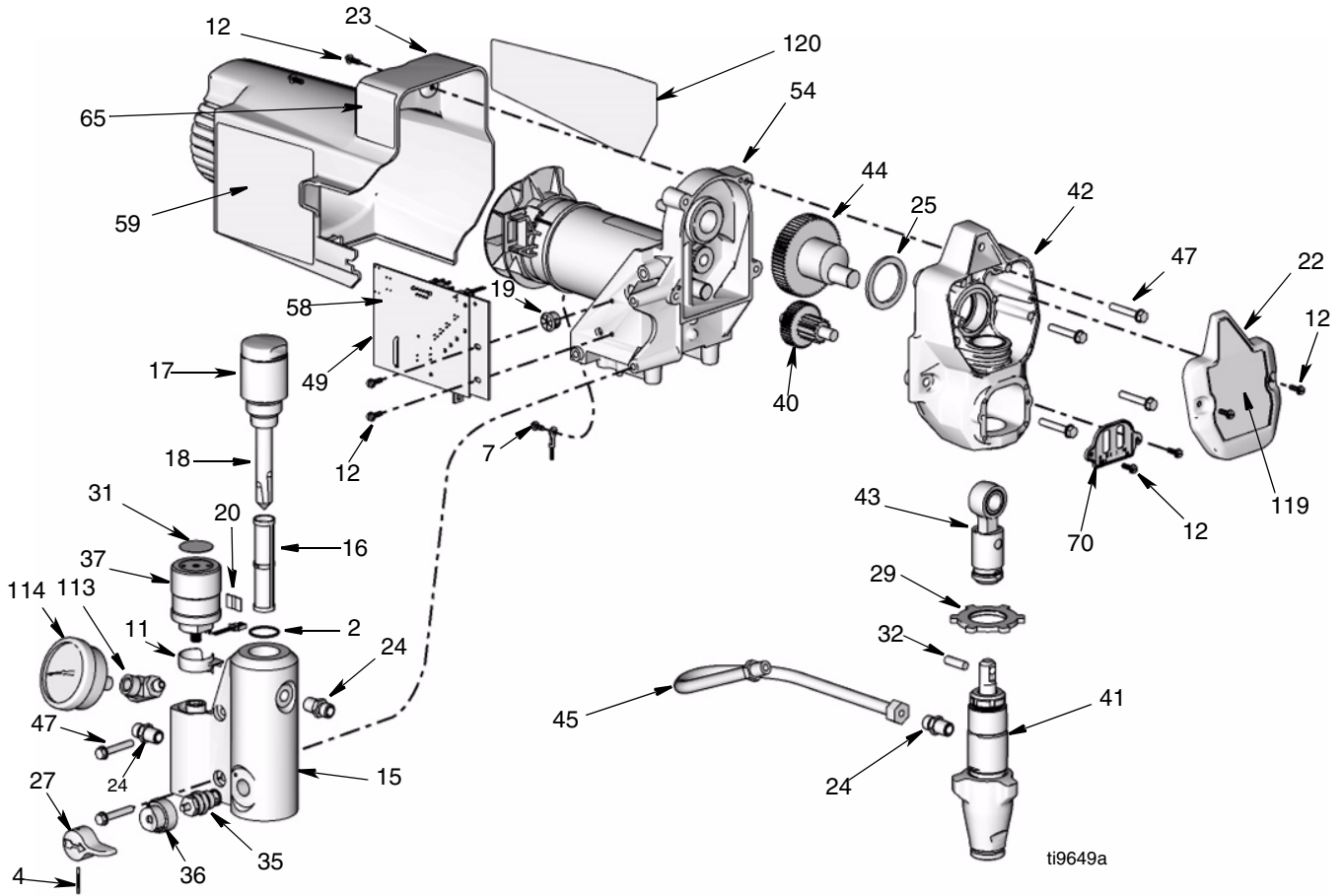
PROVEN QUALITY. LEADING TECHNOLOGY.

# FinishPro 390 Sprayers

Ref	Part	Description	Qty	Ref	Part	Description	Qty
2	117828	O-RING,teflon encapsulated	1	67	109032	SCREW,mach,pnh	4
4	111600	PIN,grooved	1	68	15B870	CUP,suction/drain	1
6	115494	SCREW,mach,phillips pan hd	4	69	120595	CLIP,tool	2
7	115498	SCREW,mach,slot hex wash hd	1	70	15B589	COVER,pump rod	1
11	15E794	CAP,wire, control, pressure	1	71	115723	SCREW,drill,hex washer head	2
12	117501	SCREW,mach,slot hex wash hd	13	76	15B999	CLIP,retaining	2
13	288233	FRAME,cart, lo	1	78	120701	WHEEL	2
14	117559	O-RING	2	79	104641	FITTING,bulkhead	1
15	15H977	MANIFOLD,filter	1	82	117633	SCREW,slot hex wash hd	4
16	246382	FILTER,fluid,100 mesh	1	84	120544	SWITCH,toggle	1
17	287902	CAP,filter, includes 18	1	85	15H899	HOSE,whip (not shown)	1
18	15B071	INSERT,filter	1	86	15J356	TUBE,suction, intake, 1 gal	1
19	115756	BUSHING,universal	1	87	120963	COUPLER,quick disconnect	1
20	119723	TAPE,foam, 1/2 wide	1	88	15K054	PLATE,front, painted	1
21	114958	STRAP,tie	1	89	103413	PACKING,o-ring	1
22	287058	COVER,front, Graco, paint, includes 12	1	91	115099	WASHER,garden hose	1
23	288838	SHIELD,motor, painted, includes 12, 59, 65, 120	1	93	15E813	NUT,jam	1
24	162453	FITTING,(1/4 npsm x 1/4 npt)	3	94	15B652	WASHER,suction	1
25	180131	BEARING,thrust	1	95	M70809	FITTING,barbed,hose	1
27	187625	HANDLE, valve, drain	1	96	15K041	BOX,control	1
29	195150	NUT,jam, pump	1	98	288719	COMPRESSOR,air, 120v, 390	1
30	195428	BOOT,toggle	1	99	187357	ELBOW,street	1
31▲	15F399	LABEL,pressure control knob	1	100	15K299	FITTING,tee,street	1
32	196762	PIN,straight	1	101	120686	VALVE	1
33	238049	FLUID,TSL,4 oz (not shown)	1	102	120732	FITTING	2
35	235014	VALVE,drain	1	103	15K148	TUBE,heat exchanger, 390	1
36	224807	BASE, valve	1	104	109575	SCREW,threadforming,hexhead	2
37	249005	CONTROL,pressure, 120v, includes 11, 19, 20, 31	1	108	120728	SCREW,fhcs, 10-24 x 2.50	2
40	249194	GEAR,assembly, combination	1	109	15J988	PLATE,switch	1
41	255198	PUMP,displacement, st, includes 24	1	110	15K212	SOLENOID	1
42	249049	HOUSING,drive, includes 12, 47, 70	1	113	119783	FITTING,tee, swivel	1
43	287053	ROD,connecting	1	114	115523	GAUGE,pressure, fluid	1
44	249195	GEAR,crankshaft, includes 25	1	115	114271	STRAP,retaining (not shown)	1
45	287003	HOSE,cpld	1	116	15B822	TUBE,air	1
46	288620	HOSE, includes 85	1	117	15D029	CORD, power (not shown)	1
47	117493	SCREW,mach,hex washer hd	11	119	15K455	LABEL,Brand, FinishPro 390, Frn	1
49	288841	CONTROL,board, 390 switchless	1	120	15K456	LABEL,brand, FinishPro 390, sid	1
54	249040	MOTOR,electric, 120v, 390	1	121	15K416	CORD, power	1
55	249051	TUBE,drain, includes 21, 62, 95	1	122▲	15K466	LABEL, instruction	1
57	246385	STRAINER,7/8-14 unf	2	123▲	15K469	LABEL	1
58▲	189930	LABEL,caution	1	126	120851	CONDUCTOR, terminal block (not shown)	1
59▲	15E936	LABEL,safety	1	127	114689	BUSHING, strain relief	1
60	287416	HOSE,suction	1	132	597151	FITTING, elbow	1
61	288513	GUN,ASSY, G40, RAC tip	1				
62	244035	DEFLECTOR,barbed	1				
65▲	195793	LABEL,warning	1				
66	287488	HANDLE,assy, lo cart	1				

▲ Replacement Danger and Warning labels, tags and cards are available at no cost.





# Notes



---

---

---

---

---

---

---

---

---

---

---

---

---

---

---

---

---

---

---

---

---

---

---

---

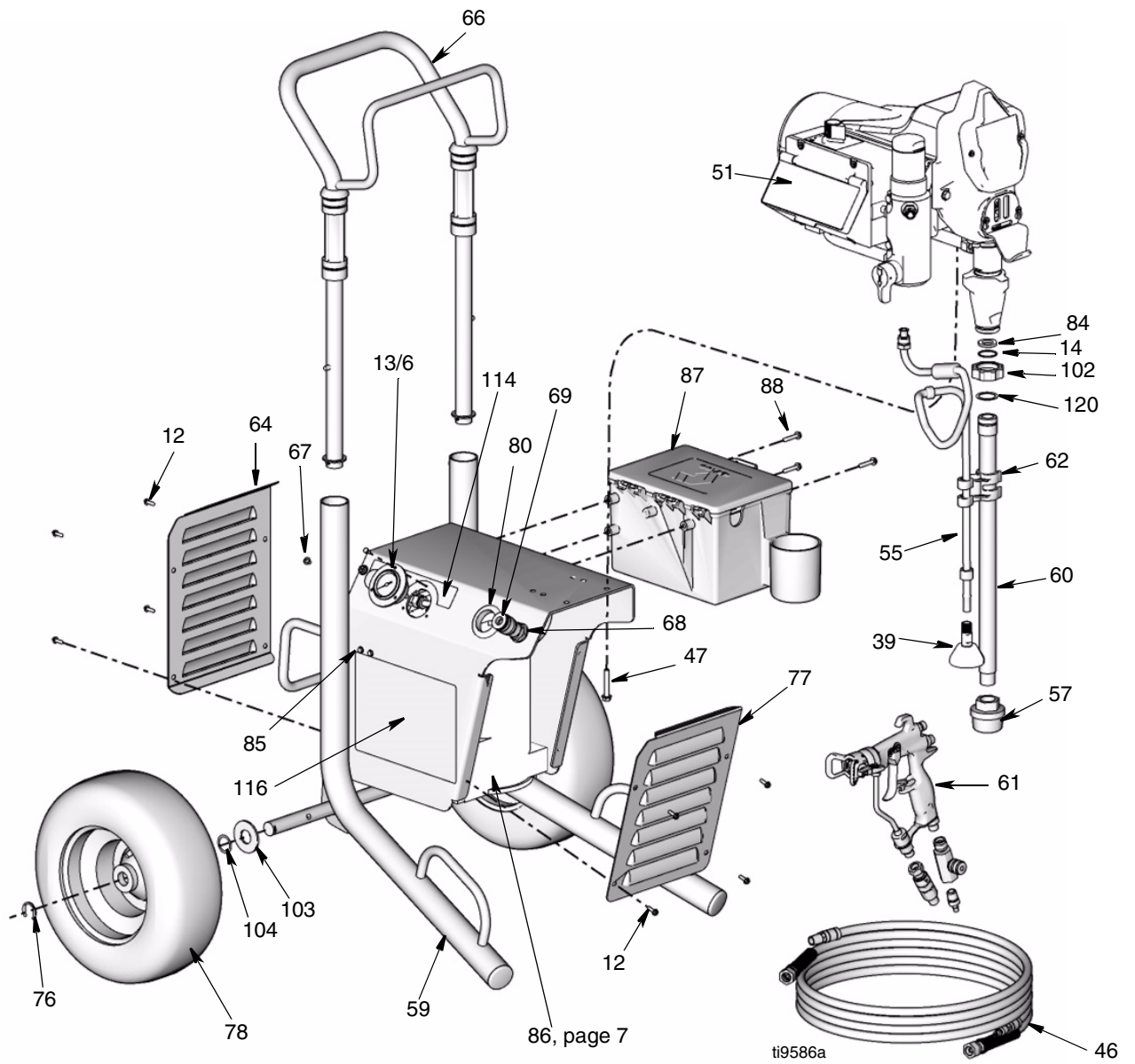
---

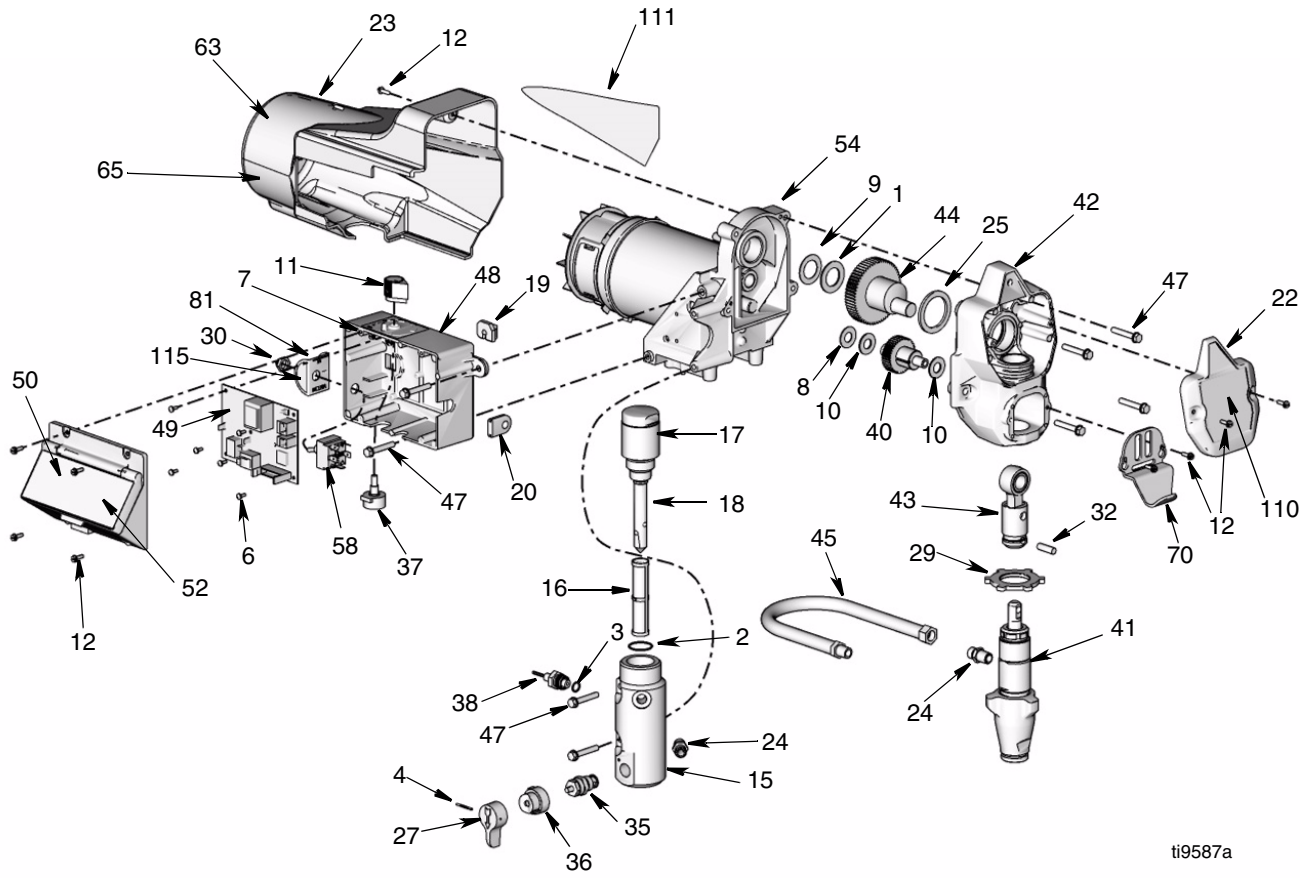
---

# FinishPro 395 Sprayers

Ref	Part	Description	Qty	Ref	Part	Description	Qty
1	107434	BEARING,thrust	1	59	288416	FRAME,cart, hi	1
2	117828	O-RING,teflon encapsulated	1	60	246387	TUBE,suction, includes 14, 57, 102, 120	1
3	111457	PACKING,o-ring	1	61	288513	GUN,ASSY, G40, RAC TIP	1
4	111600	PIN,grooved	1	62	276888	CLIP,drain line	1
5	115522	SCREW,mach,pnh (not shown)	2	63▲	15B516	LABEL,danger	1
6	115494	SCREW,mach,phillips pan hd	9	64	15K053	PLATE,rear, painted	1
7	115498	SCREW, ground, mach,slot hex wash hd	1	65▲	195793	LABEL,warning	1
8	116073	WASHER,thrust	1	66	287489	HANDLE,assy, hi cart	1
9	116074	WASHER,thrust	1	67	109032	SCREW,mach,pnh	4
10	116079	BEARING,thrust	2	68	104641	FITTING,Bulkhead	1
11	116167	KNOB,potentimeter	1	69	120963	COUPLER,quick disconnect	1
12	117501	SCREW,mach,slot hex wash hd	18	70	15C146	HOOK,pail	1
13	120643	GAUGE	1	76	15E891	CLIP,retaining	2
14	103413	PACKING,o-ring	1	77	15K052	PLATE,front, painted	1
15	15G455	MANIFOLD,fluid	1	78	119420	WHEEL,pneumatic	2
16	246382	FILTER,fluid,100 mesh	1	79	15H899	HOSE,whip (not shown)	1
17	287902	CAP,filter, includes 18	1	80	120685	GROMMET	1
18	15B071	INSERT,filter	1	81	15J988	PLATE,switch	1
19	15B118	BUSHING,motor wire	1	82	120686	VALVE	1
20	15B120	GROMMET,transducer	1	84	115099	WASHER,garden hose	1
21	120584	REGULATOR	1	85	109575	SCREW,threadforming,hexhead	2
22	287058	COVER,front, Graco, paint, includes 12	1	86	288720	COMPRESSOR,AIR, 120V, 395	1
23	287056	SHIELD,motor, painted, includes 12, 63, 65	1	87	287253	TOOL BOX, includes 88	1
24	162453	FITTING,(1/4 npsm x 1/4 npt)	2	88	118852	SCREW,thd forming,hex washer hd	3
25	180131	BEARING,thrust	1	89	116716	FITTING,elbow,90 degree	1
26	113491	CLAMP,wire	1	90	106228	FITTING,tee,street	1
27	187625	HANDLE,valve,drain	1	91	187357	ELBOW,street	1
29	195150	NUT,jam, pump	1	92	15K149	TUBE	1
30	195428	BOOT,toggle	1	93	15K212	SOLENOID	1
31	117633	SCREW,slot hex wash hd	5	94	15K040	NUT,regulator	1
32	196762	PIN,straight	1	95	120732	FITTING	2
33	238049	FLUID,TSL,4 oz (not shown)	1	96	100015	NUT,hex mscr	1
35	235014	VALVE,drain	1	102	15E813	NUT,jam	1
36	224807	BASE,valve	1	103	156306	WASHER,flat	2
37	236352	POTENTIOMETR,adjustment,pressure	1	104	116038	WASHER,wave spring	2
38	241732	TRANSDUCER,pressure control	1	105	120653	FITTING,push to connect,90	1
39	241920	DEFLECTOR,threaded	1	106	120753	FITTING,push to connect elbow	1
40	287057	GEAR,reducer, includes 8, 10	1	107	15K391	TUBE,air	1
41	255198	PUMP,displacement	1	108	15B822	TUBE,air	2
42	287055	HOUSING,drive, includes 12, 47	1	109	15D029	CORD	1
43	287053	ROD,connecting, includes 32	1	110	15K457	LABEL,brand, FinishPro 395, Fro	1
44	287054	GEAR,crankshaft, includes 1, 9, 25	1	111	15K458	LABEL,brand, FinishPro 395, sid	1
45	287003	HOSE,cpld	1	112	195551	RETAINER,plug,adapter	1
46	288620	HOSE, includes 79	1	113	15K413	CORD,pwr,395,compressor	1
47	117493	SCREW,mach,hex washer hd	12	114▲	15K468	LABEL	1
48	15J469	BOX,control, machined	1	115▲	15K470	LABEL	1
49	288840	CONTROL,board, 120v	1	116▲	15K465	LABEL	1
50	287098	COVER,display, includes 5, 51, 52	1	120	15B652	WASHER	1
51	15K400	LABEL,controL	1				
52	15B461	LABEL,display	1				
54	288859	MOTOR,395 120v	1				
55	244240	HOSE, includes 39	1				
57	246385	STRAINER,7/8-14 unf	1				
58	120544	SWITCH	1				

▲ Replacement Danger and Warning labels, tags and cards are available at no cost.



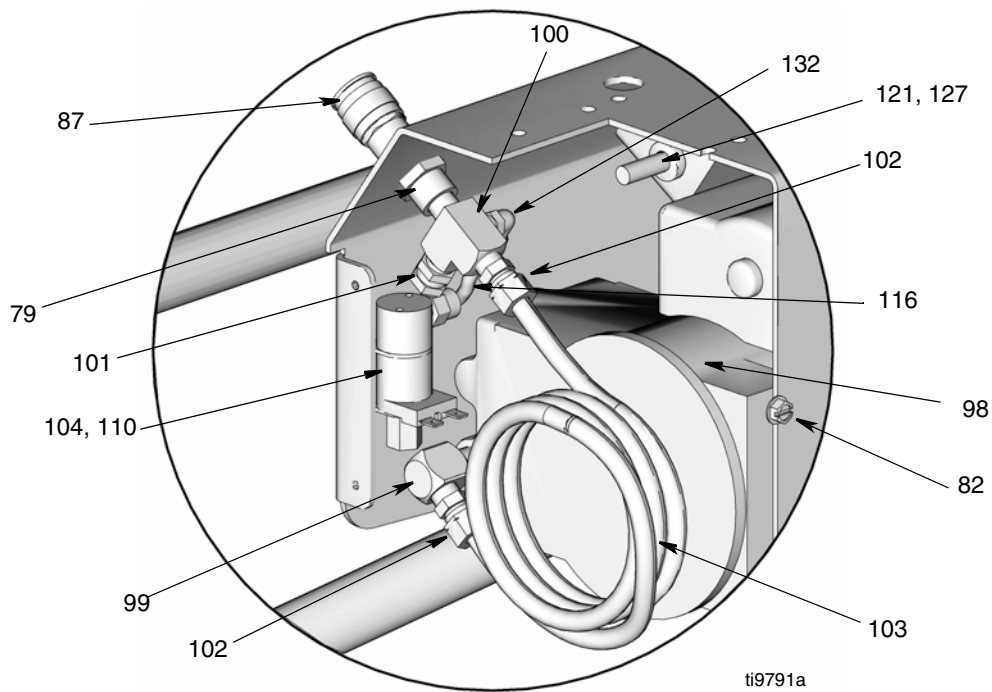


ti9587a

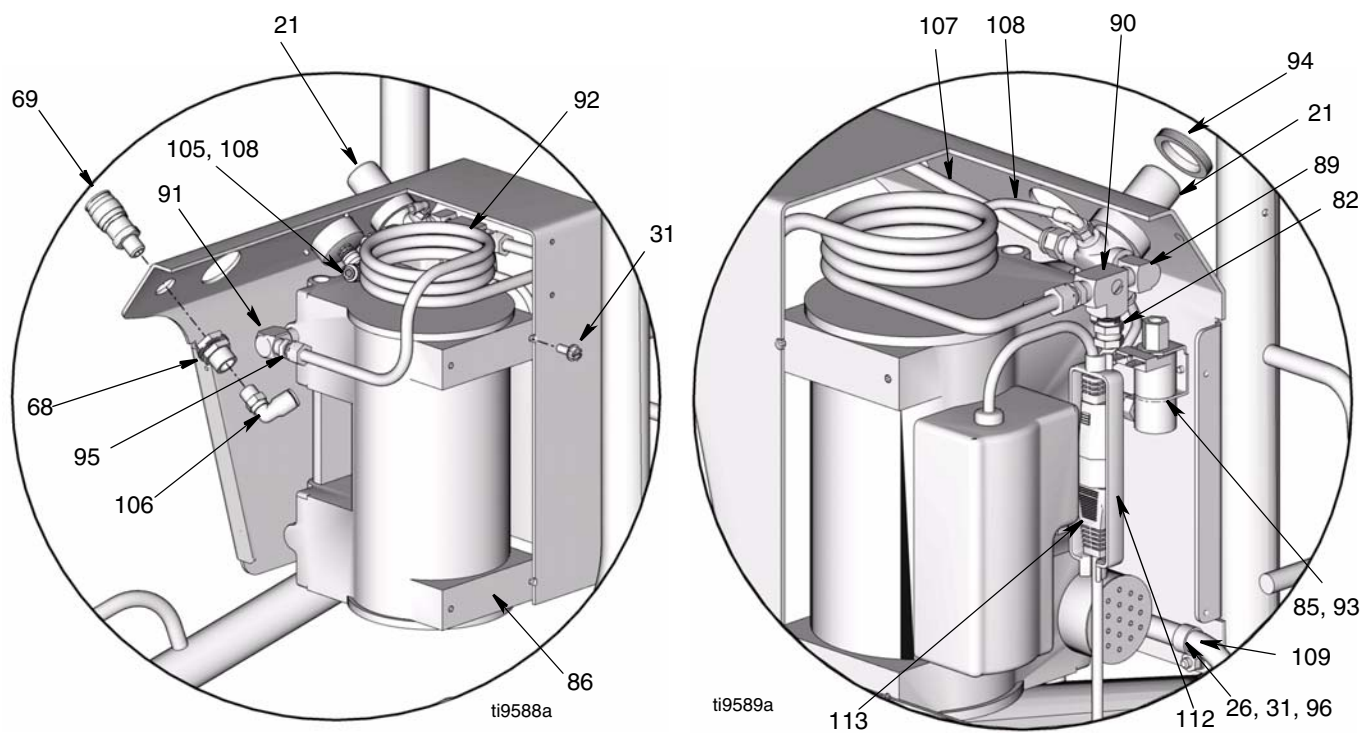


# Compressor

## FinishPro 390



## FinishPro 395



# Graco Standard Warranty

Graco warrants all equipment referenced in this document which is manufactured by Graco and bearing its name to be free from defects in material and workmanship on the date of sale to the original purchaser for use. With the exception of any special, extended, or limited warranty published by Graco, Graco will, for a period of twelve months from the date of sale, repair or replace any part of the equipment determined by Graco to be defective. This warranty applies only when the equipment is installed, operated and maintained in accordance with Graco's written recommendations.

This warranty does not cover, and Graco shall not be liable for general wear and tear, or any malfunction, damage or wear caused by faulty installation, misapplication, abrasion, corrosion, inadequate or improper maintenance, negligence, accident, tampering, or substitution of non-Graco component parts. Nor shall Graco be liable for malfunction, damage or wear caused by the incompatibility of Graco equipment with structures, accessories, equipment or materials not supplied by Graco, or the improper design, manufacture, installation, operation or maintenance of structures, accessories, equipment or materials not supplied by Graco.

This warranty is conditioned upon the prepaid return of the equipment claimed to be defective to an authorized Graco distributor for verification of the claimed defect. If the claimed defect is verified, Graco will repair or replace free of charge any defective parts. The equipment will be returned to the original purchaser transportation prepaid. If inspection of the equipment does not disclose any defect in material or workmanship, repairs will be made at a reasonable charge, which charges may include the costs of parts, labor, and transportation.

**THIS WARRANTY IS EXCLUSIVE, AND IS IN LIEU OF ANY OTHER WARRANTIES, EXPRESS OR IMPLIED, INCLUDING BUT NOT LIMITED TO WARRANTY OF MERCHANTABILITY OR WARRANTY OF FITNESS FOR A PARTICULAR PURPOSE.**

Graco's sole obligation and buyer's sole remedy for any breach of warranty shall be as set forth above. The buyer agrees that no other remedy (including, but not limited to, incidental or consequential damages for lost profits, lost sales, injury to person or property, or any other incidental or consequential loss) shall be available. Any action for breach of warranty must be brought within two (2) years of the date of sale.

**GRACO MAKES NO WARRANTY, AND DISCLAIMS ALL IMPLIED WARRANTIES OF MERCHANTABILITY AND FITNESS FOR A PARTICULAR PURPOSE, IN CONNECTION WITH ACCESSORIES, EQUIPMENT, MATERIALS OR COMPONENTS SOLD BUT NOT MANUFACTURED BY GRACO.** These items sold, but not manufactured by Graco (such as electric motors, switches, hose, etc.), are subject to the warranty, if any, of their manufacturer. Graco will provide purchaser with reasonable assistance in making any claim for breach of these warranties.

In no event will Graco be liable for indirect, incidental, special or consequential damages resulting from Graco supplying equipment hereunder, or the furnishing, performance, or use of any products or other goods sold hereto, whether due to a breach of contract, breach of warranty, the negligence of Graco, or otherwise.

## **FOR GRACO CANADA CUSTOMERS**

The Parties acknowledge that they have required that the present document, as well as all documents, notices and legal proceedings entered into, given or instituted pursuant hereto or relating directly or indirectly hereto, be drawn up in English. Les parties reconnaissent avoir convenu que la rédaction du présente document sera en Anglais, ainsi que tous documents, avis et procédures judiciaires exécutés, donnés ou intentés, à la suite de ou en rapport, directement ou indirectement, avec les procédures concernées.

*TO PLACE AN ORDER*, contact your Graco distributor, or call **1-800-690-2894** to identify the nearest distributor.

All written and visual data contained in this document reflects the latest product information available at the time of publication. Graco reserves the right to make changes at any time without notice.

MM: 312001

This manual contains: English  
**Graco Headquarters:** Minneapolis  
**International Offices:** Belgium, Korea, China, Japan

**GRACO INC. P.O. BOX 1441 MINNEAPOLIS, MN 55440-1441**  
<http://www.graco.com>  
2/2007