

Repair



EHTM 200 HDI Hydraulic Sprayer

312159 rev.A

- Use with Architectural Coatings and Paints -

230 Vac, 50 Hz, 14A

3300 psi (2.8 MPa, 230 bar) Maximum Working Pressure

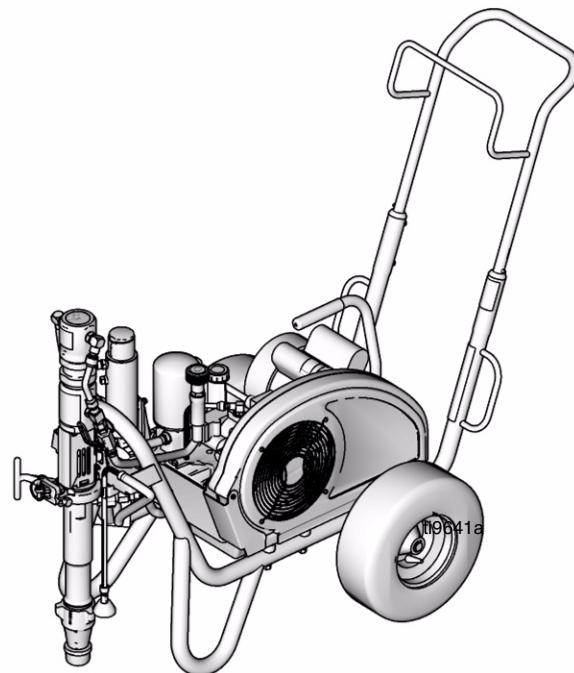
Model: 253581 Sprayer

Model: 255094 Sprayer, Spray Gun and Hoses, Gauge



Important Safety Instructions.

Read all warnings and instructions in this manual. Save these instructions.



ti9641a

English






Graco Inc. P.O. Box 1441 Minneapolis, MN 55440-1441
Copyright 2006, Graco Inc. is registered to I.S. EN ISO 9001

PROVEN QUALITY. LEADING TECHNOLOGY










Warnings



The following Warnings are for the setup, use, grounding, maintenance and repair of this equipment. The exclamation point symbol alerts you to a general warning and the hazard symbols refer to procedure-specific risks. Refer back to these Warnings. Additional, product-specific warnings may be found throughout the body of this manual where applicable.

 WARNING	
	<p>FIRE AND EXPLOSION HAZARD</p> <p>Flammable fumes, such as solvent and paint fumes, in work area can ignite or explode. To help prevent fire and explosion:</p> <ul style="list-style-type: none"> • Use equipment only in well ventilated area. • Eliminate all ignition sources; such as pilot lights, cigarettes, portable electric lamps, and plastic drop cloths (potential static arc). • Keep work area free of debris, including solvent, rags and gasoline. • Do not plug or unplug power cords, or turn power or light switches on or off when flammable fumes are present. • Ground all equipment in the work area. See Grounding instructions. • Use only grounded hoses. • Hold gun firmly to side of grounded pail when triggering into pail. • If there is static sparking or you feel a shock, stop operation immediately. Do not use equipment until you identify and correct the problem. • Keep a working fire extinguisher in the work area.
	<p>SKIN INJECTION HAZARD</p> <p>High-pressure fluid from gun, hose leaks, or ruptured components will pierce skin. This may look like just a cut, but it is a serious injury that can result in amputation. Get immediate surgical treatment.</p> <ul style="list-style-type: none"> • Do not point gun at anyone or at any part of the body. • Do not put your hand over the spray tip. • Do not stop or deflect leaks with your hand, body, glove, or rag. • Do not spray without tip guard and trigger guard installed. • Engage trigger lock when not spraying. • Follow Pressure Relief Procedure in this manual, when you stop spraying and before cleaning, checking, or servicing equipment.
	<p>PRESSURIZED EQUIPMENT HAZARD</p> <p>Fluid from the gun/dispense valve, leaks, or ruptured components can splash in the eyes or on skin and cause serious injury.</p> <ul style="list-style-type: none"> • Follow Pressure Relief Procedure in this manual, when you stop spraying and before cleaning, checking, or servicing equipment. • Tighten all fluid connections before operating the equipment. • Check hoses, tubes, and couplings daily. Replace worn or damaged parts immediately.
	<p>ELECTRIC SHOCK HAZARD</p> <p>Improper grounding, setup, or usage of the system can cause electric shock.</p> <ul style="list-style-type: none"> • Turn off and disconnect power cord before servicing equipment. • Use only grounded electrical outlets. • Use only 3-wire extension cords. • Ensure ground prongs are intact on sprayer and extension cords. • Do not expose to rain. Store indoors.




 **WARNING**

	<p>MOVING PARTS HAZARD</p> <p>Moving parts can pinch or amputate fingers and other body parts.</p> <ul style="list-style-type: none"> • Keep clear of moving parts. • Do not operate equipment with protective guards or covers removed. • Pressurized equipment can start without warning. Before checking, moving, or servicing equipment, follow the Pressure Relief Procedure in this manual. Disconnect power or air supply.
	<p>EQUIPMENT MISUSE HAZARD</p> <p>Misuse can cause death or serious injury.</p> <ul style="list-style-type: none"> • Do not exceed the maximum working pressure or temperature rating of the lowest rated system component. See Technical Data in all equipment manuals. • Use fluids and solvents that are compatible with equipment wetted parts. See Technical Data in all equipment manuals. Read fluid and solvent manufacturer's warnings. • Check equipment daily. Repair or replace worn or damaged parts immediately. • Do not alter or modify equipment. • For professional use only. • Use equipment only for its intended purpose. Call your Graco distributor for information. • Route hoses and cables away from traffic areas, sharp edges, moving parts, and hot surfaces. • Do not use hoses to pull equipment. • Comply with all applicable safety regulations.
	<p>PRESSURIZED ALUMINUM PARTS HAZARD</p> <p>Do not use 1,1,1-trichloroethane, methylene chloride, other halogenated hydrocarbon solvents or fluids containing such solvents in pressurized aluminum equipment. Such use can cause serious chemical reaction and equipment rupture, and result in death, serious injury, and property damage.</p>
	<p>SUCTION HAZARD</p> <p>Never place hands near the pump fluid inlet when pump is operating or pressurized. Powerful suction could cause serious injury.</p>
	<p>TOXIC FLUID OR FUMES HAZARD</p> <p>Toxic fluids or fumes can cause serious injury or death if splashed in the eyes or on skin, inhaled, or swallowed.</p> <ul style="list-style-type: none"> • Read MSDS's to know the specific hazards of the fluids you are using. • Store hazardous fluid in approved containers, and dispose of it according to applicable guidelines.
	<p>BURN HAZARD</p> <p>Equipment surfaces and fluid that's heated can become very hot during operation. To avoid severe burns, do not touch hot fluid or equipment. Wait until equipment/fluid has cooled completely.</p>
	<p>PERSONAL PROTECTIVE EQUIPMENT</p> <p>You must wear appropriate protective equipment when operating, servicing, or when in the operating area of the equipment to help protect you from serious injury, including eye injury, inhalation of toxic fumes, burns, and hearing loss. This equipment includes but is not limited to:</p> <ul style="list-style-type: none"> • Protective eyewear • Clothing and respirator as recommended by the fluid and solvent manufacturer • Gloves • Hearing protection

General Repair Information

						
<p>To reduce risk of serious injury, do not touch moving parts with fingers or tools while testing repair. Shut off sprayer when repairing. Install all covers, gaskets, screws and washers before operating sprayer</p>						

1. Keep all screws, nuts, washers, gaskets, and electrical fittings removed during repair procedures. These parts are not normally provided with replacement assemblies.
2. Test repair after problem is corrected.
3. If sprayer does not operate properly, review repair procedure to verify procedure was done correctly. If necessary, see Troubleshooting Guide, page 7, for other possible solutions.

						
---	---	---	--	--	--	--

4. Install belt guard before operation of sprayer and replace if damaged. Belt guard reduces risk of pinching and loss of fingers; see preceding WARNING.

Grounding

Ground sprayer with grounding clamp to earth ground for safe sprayer operation. FIG. 1.

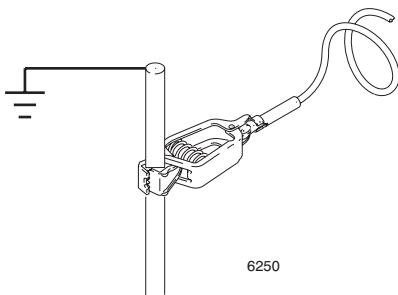
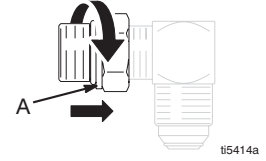


FIG. 1

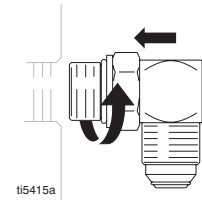
SAE O-Ring Installation

1. Unscrew lock nut to touch fitting.

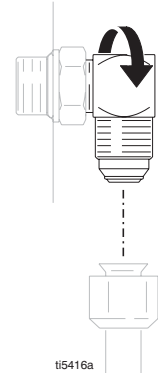


2. Lubricate o-ring (A).

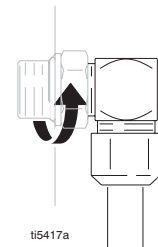
3. Screw in fitting hand tight.



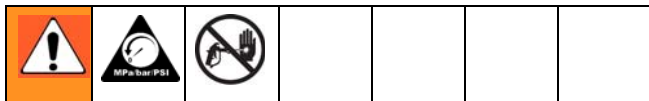
4. Unscrew fitting until oriented properly.



5. Tighten lock nut to indicated torque. (Make sure washer is seated properly without pinching o-ring).



Maintenance



Pressure Relief Procedure

The system pressure must be manually relieved to prevent the system from starting or spraying accidentally. Fluid under high pressure can be injected through the skin and cause serious injury. To reduce the risk of an injury from injection, splashing fluid, or moving parts, follow the Pressure Relief Procedure whenever you:

- are instructed to relieve the pressure,
- stop spraying,
- check or service any of the system equipment,
- or install or clean the spray tip.

1. Lock gun trigger safety.
2. Turn engine ON/OFF switch to OFF.
3. Move pump valve to OFF (down) and turn pressure control knob fully counter clockwise.
4. Unlock trigger safety. Hold metal part of gun firmly to side of grounded metal pail, and trigger gun to relieve pressure.
5. Lock gun trigger safety.
6. Open pressure drain valve. Leave valve open until ready to spray again.

If you suspect that the spray tip or hose is completely clogged, or that pressure has not been fully relieved after following the steps above, VERY SLOWLY loosen tip guard retaining nut or hose end coupling to relieve pressure gradually, then loosen completely. Now clear

tip or hose.

DAILY: Check hydraulic oil level and fill as necessary.

DAILY: Check hose for wear and damage.

DAILY: Check gun safety for proper operation.

DAILY: Check pressure drain valve for proper operation.

DAILY: Check that displacement pump is tight.

DAILY: Check level of Throat Seal Liquid (TSL) in displacement pump packing nut. Fill nut, if necessary. Keep TSL in nut to help prevent fluid buildup on piston rod and premature wear of packings and pump corrosion.

WEEKLY/DAILY: Remove any debris or media from hydraulic rod.

SEMI-ANNUALLY:

Check belt wear, page 10; replace if necessary.

YEARLY OR 2000 HOURS:

Replace hydraulic oil and filter with Graco hydraulic oil 169236 (5 gallon/20 liter) or 207428 (1 gallon/3.8 liter) and filter 116909.

Replace belt.

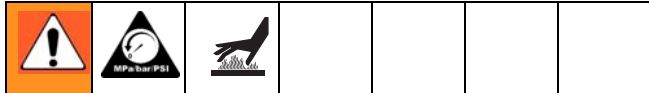
Troubleshooting

PROBLEM	CAUSE	SOLUTION
Motor won't start	Hydraulic pressure is too high	Turn hydraulic pressure knob counter clockwise to lowest setting.
	Check power main.	Correct any fault
	Check that the motor is plugged in	Plug in motor
Motor doesn't work properly	Faulty motor	Consult engine manual, supplied.
Motor operates, but displacement pump doesn't operate	Hydraulic pump valve is OFF	Set hydraulic pump valve ON.
	Pressure setting too low	Increase pressure.
	Displacement pump outlet filter (if used) is dirty or clogged	Clean the filter.
	Tip or tip filter (if used) is clogged	Remove tip and/or filter and clean.
	Hydraulic fluid too low	Shut off sprayer. Add fluid*.
	Belt worn or broken or off	Replace, page 9.
	Hydraulic pump worn or damaged	Bring sprayer to Graco distributor for repair.
	Dried paint seized paint pump rod	Service pump. See manual 311845.
	Hydraulic motor not shifting	Set pump valve OFF. Turn pressure down. Turn engine OFF. Pry rod up or down until hydraulic motor shifts .
Displacement pump operates, but output is low on upstroke	Piston ball check not seating properly	Service piston ball check. See manual 311845.
	Piston packings worn or damaged	Replace packings. See manual 311845.
Displacement pump operates but output is low on downstroke and/or on both strokes	Piston packings worn or damaged	Tighten packing nut or replace packings. See manual 311845.
	Intake valve ball check not seating properly	Service intake valve ball check. See manual 311845.
Paint leaks and runs over side of wetcup	Loosen wet-cup	Tighten wet-cup enough to stop leakage.
	Throat packings worn or damaged	Replace packings. See manual 311845.
Excessive leakage around hydraulic motor piston rod wiper	Piston rod seal worn or damaged	Replace these parts.
Fluid delivery is low	Pressure setting too low	Increase pressure.
	Displacement pump outlet filter (if used) is dirty or clogged	Clean filter.
	Intake line to pump inlet is not tight	Tighten.
	Hydraulic motor is worn or damaged	Bring sprayer to Graco distributor for repair.
	Large pressure drop in fluid hose	Use larger diameter or shorter hose.
The sprayer overheats	Paint buildup on hydraulic components	Clean.
Spitting from gun	Air in fluid pump or hose	Check for loose connections on siphon assembly, tighten, then reprime pump.
	Loose intake suction	Tighten.
	Fluid supply is low or empty	Refill supply container.
Excessive hydraulic pump noise	Low hydraulic fluid level	Turn sprayer OFF. Add fluid*.
Electric motor does not operate	Power switch is not ON	Turn power switch to ON.
	Tripped circuit breaker	Check circuit breaker at power source. Reset motor switch.

*Check hydraulic fluid level often. Do not allow fluid level to become too low. Use only Graco approved hydraulic fluid.

Hydraulic Pump

Removal



Let hydraulic system cool before beginning service.

1. **Relieve pressure**, page 5.
2. (FIG. 2) Place drip pan or rags under sprayer to catch hydraulic oil that leaks out during repair.
3. Remove drain plug (202) and oil filter (227) and allow hydraulic oil to drain.
4. Remove screw (172), nut (173) and belt guard (117).
5. Raise motor and remove belt (44).
6. Remove two set screws (197) and fan pulley (96).
7. Remove case drain tube (225).
8. Remove elbow (221).
9. Remove hose (276) from elbow (226). Remove elbow (226) from hydraulic pump (220).
10. Remove hydraulic hose (288) from reservoir cover (209).
11. Remove eight screws (212) reservoir cover (209) filter assembly (206) and gasket (203).
12. Remove four screws (277) and hydraulic pump (220) from reservoir cover (209).

Installation

1. Install hydraulic pump (220) to reservoir cover (209) with four screws (277) (ensure o-rings 210 and 211 are in place); torque 90 - 110 in-lb (10 - 12 N·m).
2. Install gasket (203) filter assembly (206) and reservoir cover (209) with eight screws (212); torque 110 - 120 in-lb (12 - 14 N·m).
3. Install hydraulic hose (288) to reservoir cover (209).
4. Install elbow (226) in hydraulic pump (220). Install hose (276) in elbow (226). Torque to 15 ft-lb (20.3 N·m).
5. Install elbow (221); torque to 15 ft-lb (20.3 N·m).
6. Install case drain tube (225); torque to 15 ft-lb (20.3 N·m).
7. Install fan pulley (96) with two set screws (197).
8. Raise motor and install belt (44).
9. Install belt guard (117) with screw (172) and nut (173).
10. Install drain plug (202). Install oil filter (227); tighten 3/4 turn after gasket contacts base. Fill hydraulic pump with Graco hydraulic oil, page 6, through elbow (221) port until full. Fill reservoir with remaining hydraulic oil.
11. Start up and allow pump to operate at low pressure for approximately 5 minutes to purge all air.
12. Check oil hydraulic oil and top off, if required.

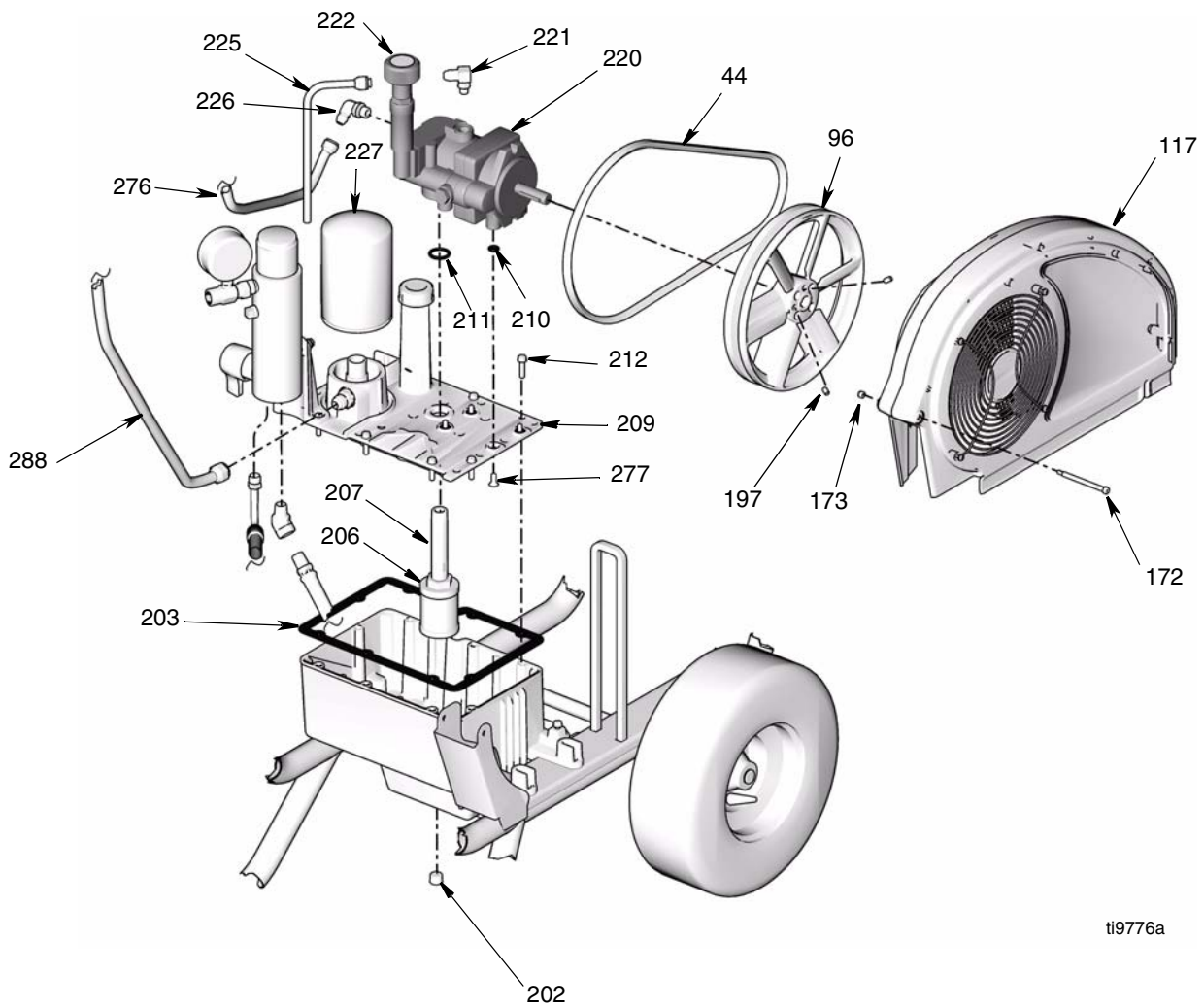
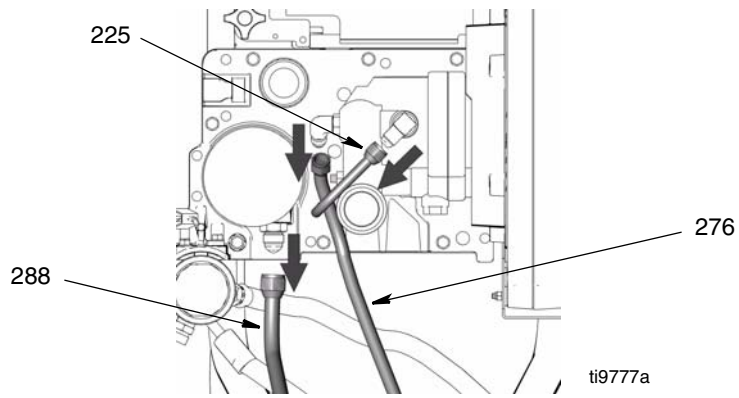


FIG. 2

Fan Belt

Removal



1. **Relieve pressure**, page 5.
2. (Fig. 3) Loosen belt guard knob (55).
3. Rotate belt guard (117) up.
4. Lift motor (119) up to remove tension on belt (44).
5. Remove belt from pulley (43) and fan pulley (96).

Installation

1. Thread belt (44) around drive pulley (43) and fan pulley (96).
2. Let motor (119) down to put tension on belt.
3. Rotate belt guard (117) down.
4. Tighten belt guard knob (55).

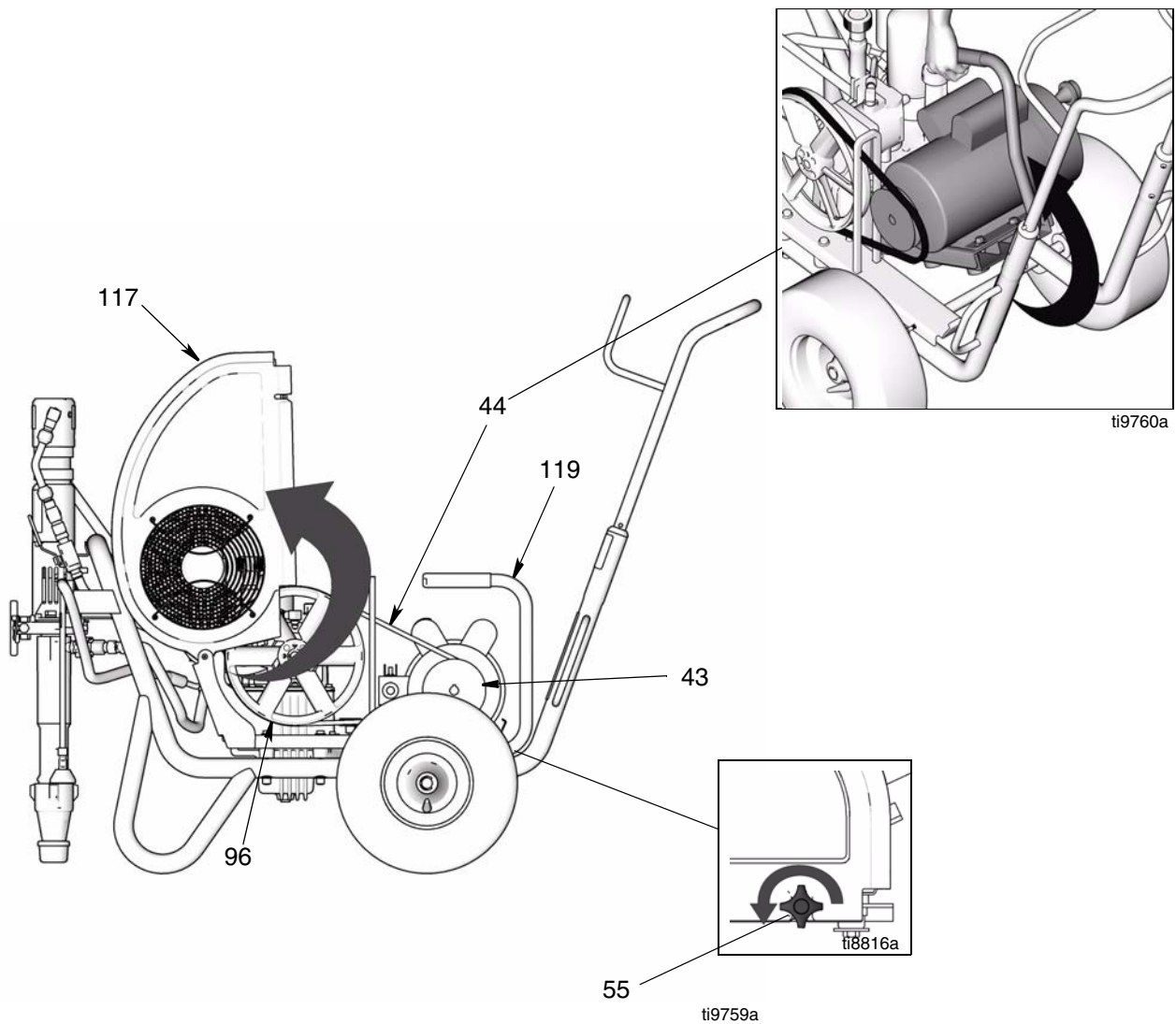


FIG. 3

Electric Motor

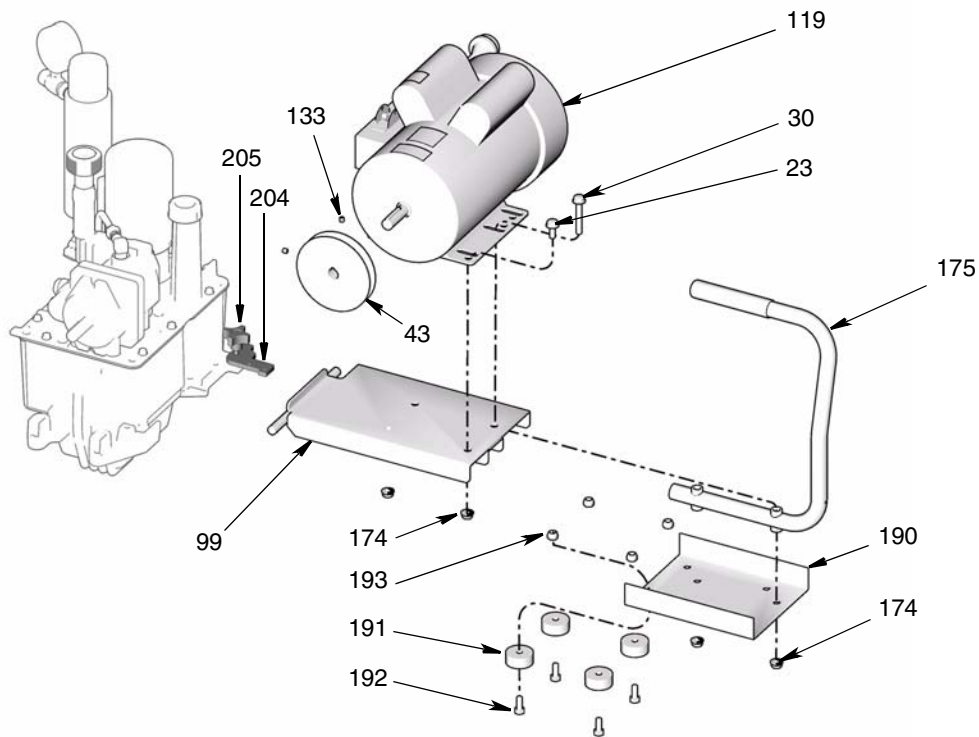
Removal



1. **Relieve pressure**, page 5.
2. Remove **Fan Belt**, page 10.
3. FIG. 4. Loosen motor nut (205). Swing motor retainer bracket (204) out.
4. Remove motor (119) and rocker plate (99) from sprayer.
5. Remove two screws (23) and nuts (174). Remove two screws (30), nuts (174), handle (175), bottom isolator plate (190) and rocker plate (99) from engine (119).

Installation

1. Install handle (175), bottom isolator plate (190) and rocker plate (99) to motor (119) with two screws (30) and nuts (174); two screws (23) and nuts (174). Torque screws to 225 in-lb (25.4 N·m).
2. Install motor and rocker plate (99) on sprayer.
3. Swing motor retainer bracket (204) in. Tighten motor nut (205).
4. Install **Fan Belt**, page 10.



ti9764a

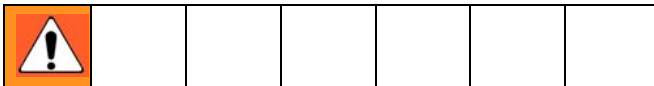
FIG. 4

Hydraulic Motor Rebuild

Removal



1. **Relieve pressure**, page 5.
2. Place drip pan or rags under sprayer to catch hydraulic oil that leaks out during repair.
3. Do **Displacement Pump, Removal**, page 14.
4. FIG. 5. Remove hydraulic lines (271, 288) from fittings (226) at top left and right side of hydraulic motor.
5. Loosen jam nut (264).
6. Unscrew and remove hydraulic motor cap (265).
7. Slide piston rod/hydraulic motor cap assembly (A) from hydraulic motor cylinder (263).



FLYING PARTS HAZARD

Detent spring has high energy potential. If detent spring is released without due care detent spring and balls could fly into the eyes of the disassembler. Wear safety glasses when removing or installing detent spring and balls. Failure to wear safety glasses when removing detent spring could result in eye injury or blindness.

Installation



FLYING PARTS HAZARD

1. Slide piston rod assembly (A) into hydraulic motor cylinder (263).
2. Screw down hydraulic motor cap (268). Unscrew hydraulic motor cap until inlet and outlet align with hydraulic line fittings and test hole in hydraulic motor cap points toward belt guard (117).
3. Torque jam nut (264) against hydraulic motor cap (268) to 150 ft-lb (17 N·m).
4. FIG. 5. Install hydraulic lines (271, 288) to fittings (226) to top left and right side of hydraulic motor; torque to 40 ft-lb (54.2 N·m).
5. Do **Displacement Pump, Installation**, page 15.
6. Start engine and operate pump for 30 seconds. Turn engine OFF. Check hydraulic oil level and fill with Graco hydraulic oil, page 6.

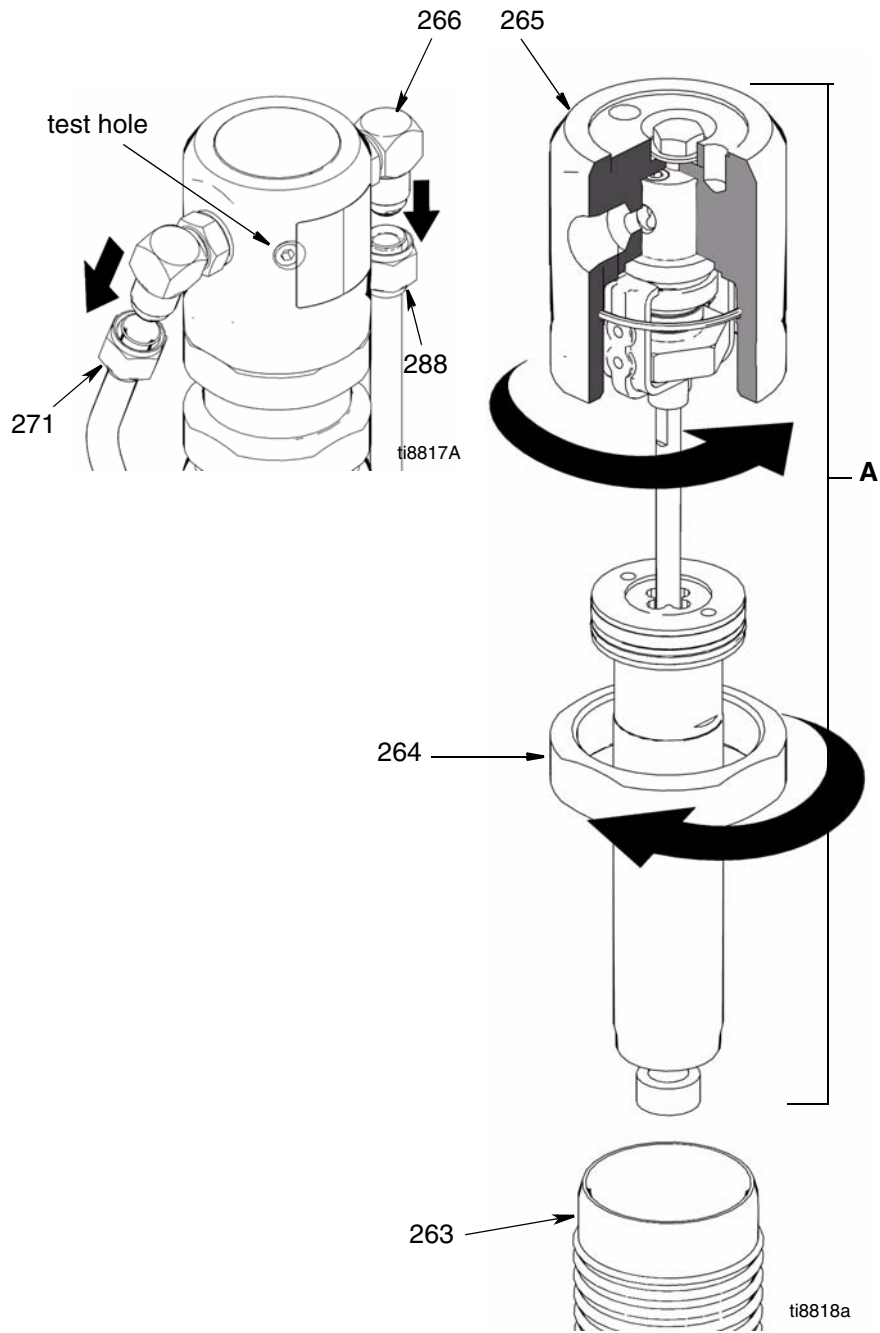


FIG. 5

Hydraulic Oil/Filter Change

Removal



1. **Relieve pressure**, page 5.
2. Place drip pan or rags under sprayer to catch hydraulic oil that drains out.
3. Remove drain plug (202), page 21. Allow hydraulic oil to drain.
4. FIG. 6. Unscrew filter (227) slowly - oil runs into groove and drains out rear.

Installation

1. Install drain plug (202) and oil filter (227). Tighten oil filter 3/4 turn after gasket contacts base.
2. Fill with five quarts of Graco hydraulic oil 169236 (5 gallon/20 liter) or 207428 (1 gallon/3.8 liter).
3. Check oil level.

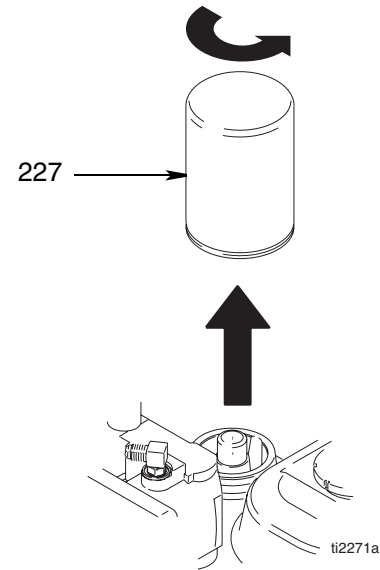


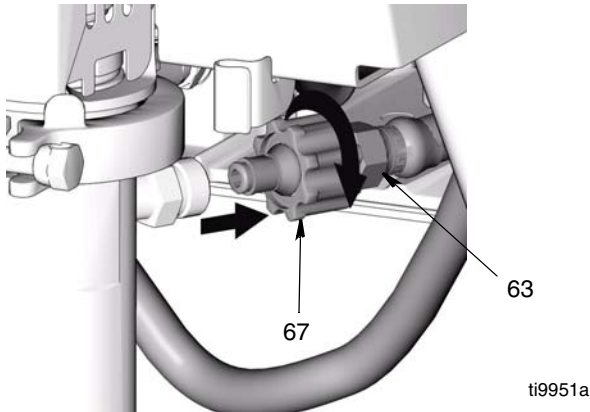
FIG. 6

Displacement Pump

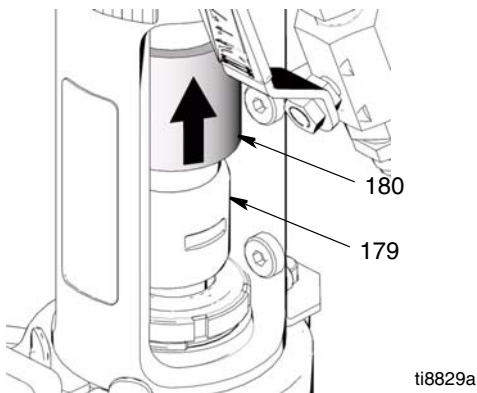
Removal



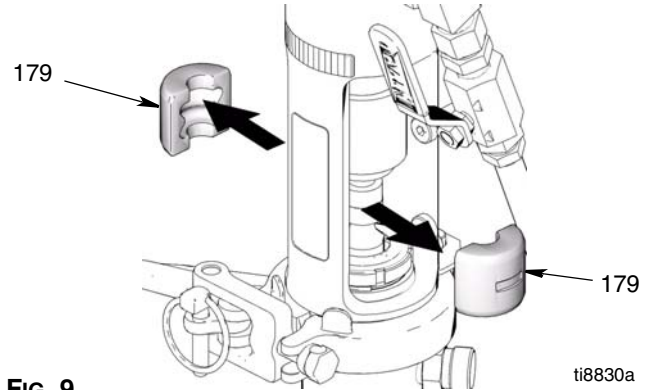
1. Flush pump.
2. Relieve pressure, page 5.
3. (FIG. 7) Remove paint hose fitting (67) and paint hose (63) from pump fitting.



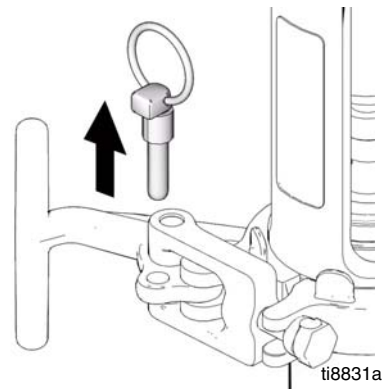
4. (FIG. 8) Slide coupler cover (180) up to fully expose rod couplers (179).



5. (FIG. 9) Remove rod couplers (179).



6. (FIG. 10) Remove pin.



CAUTION

Support pump with your hand before opening T-handle.

7. (FIG. 11) Open clamp (247).

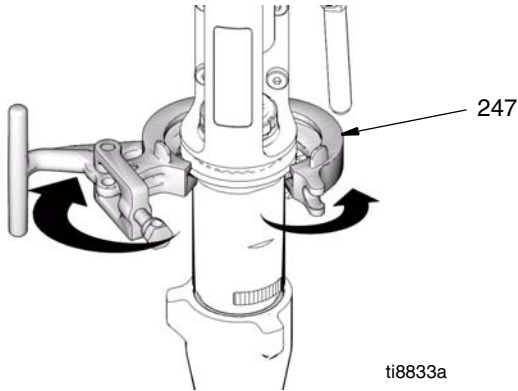


FIG. 11

8. (FIG. 12) Remove pump (111) from sprayer.

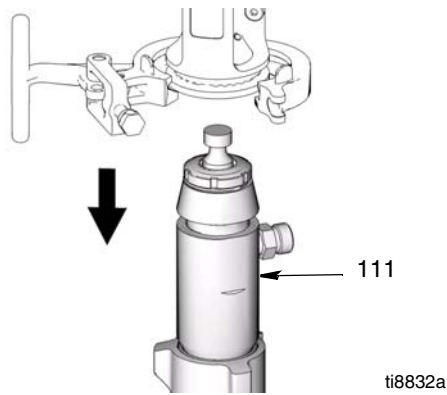


FIG. 12

Installation

1. (FIG. 13) If needed, place pump rod in adjustment casting and pull pump to lengthen rod.

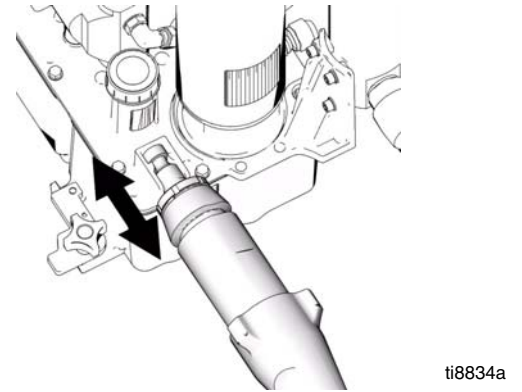


FIG. 13

2. (FIG. 14) Install pump (111) in sprayer.

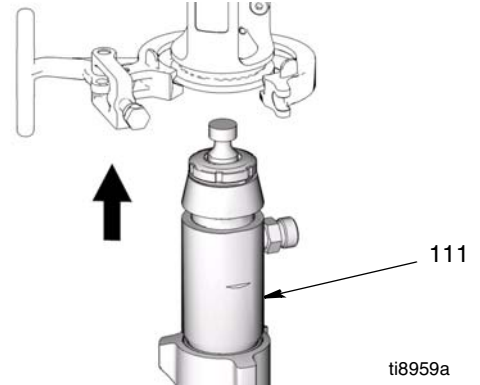


FIG. 14

3. (FIG. 15) Close clamp (247) around pump (111) and push it closed.

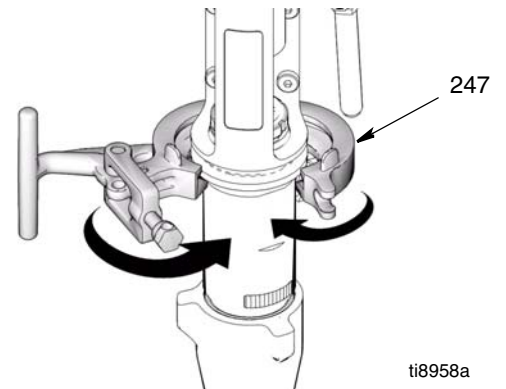


FIG. 15

4. (FIG. 16) Install pin.

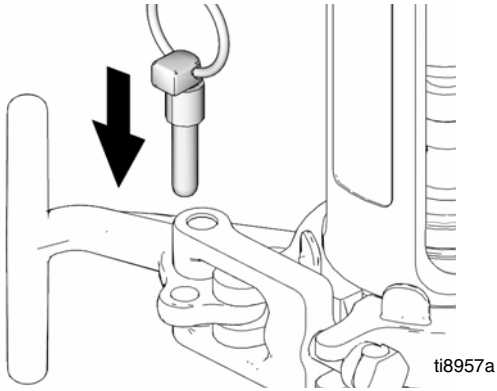


FIG. 16

5. (FIG. 17) Slide coupler cover (180) up to expose pump rod. Install rod couplers (179) over rod.

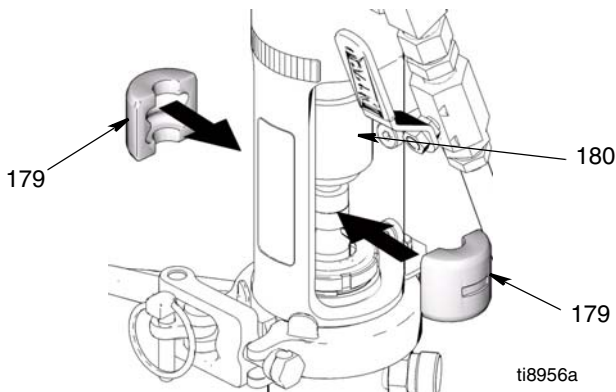


FIG. 17

6. (FIG. 18) Slide couple cover (180) down over rod couplers (179).

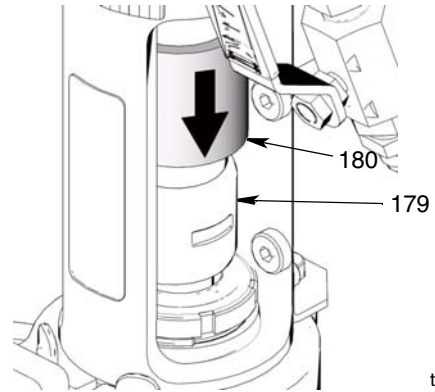


FIG. 18

7. (FIG. 19) Install paint hose fitting (190) and paint hose (63) to pump connection.

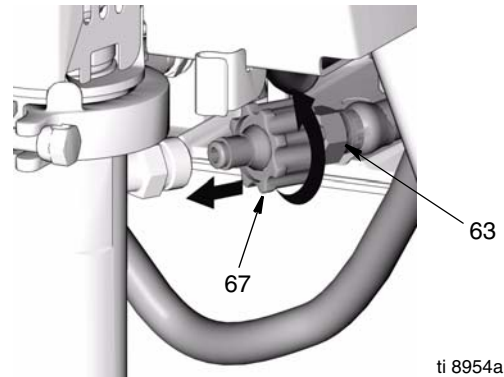
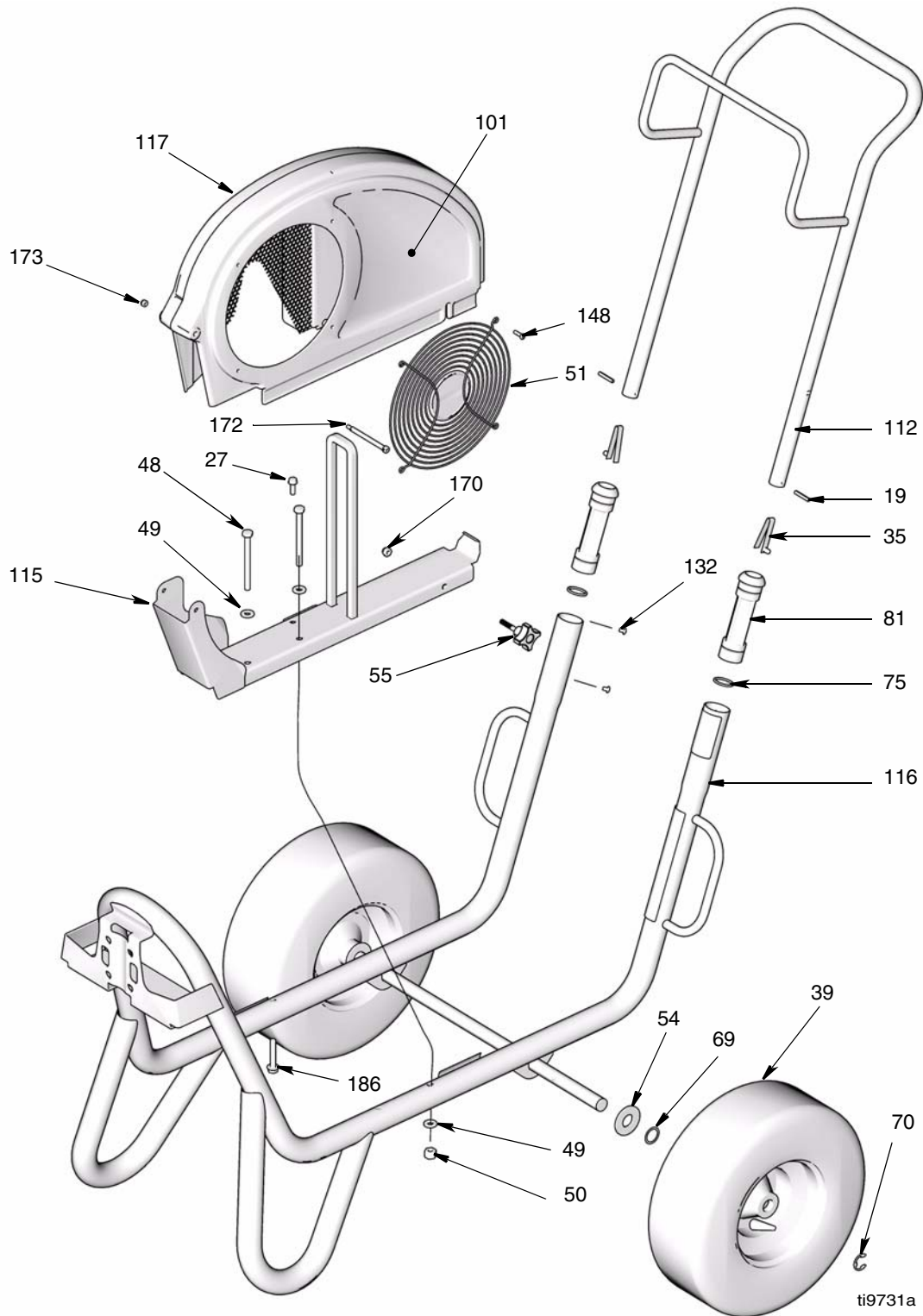


FIG. 19

Parts

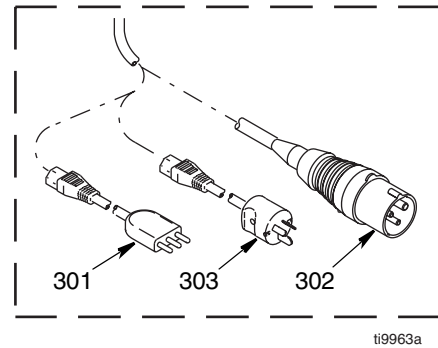
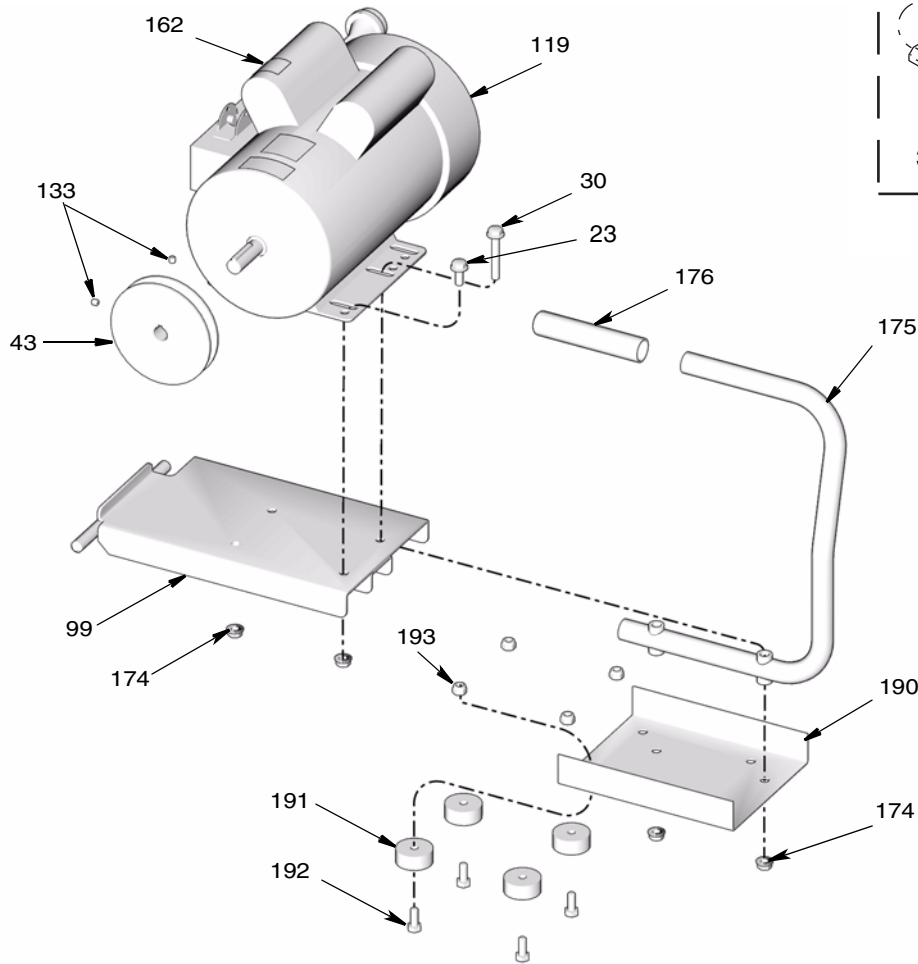
Parts Drawing - Frame and Belt Guard



Parts List - Frame and Belt Guard

Ref	Part	Description	Qty	Ref	Part	Description	Qty
19	101354	PIN, spring, straight	2	112	248818	HANDLE, cart	1
27	260212	SCREW, hex washer hd, thd form	1	115	288261	RAIL, belt guard, assy	1
35	112827	BUTTON, snap	2	116	288111	FRAME, cart, weldment, EH200	1
39	119509	WHEEL, pneumatic	2	117	288734	GUARD, belt assembly, painted	1
48	803298	SCREW, cap, hex hd	2	132	109032	SCREW, mach, pnh	4
49	100527	WASHER, plain	4	148	115477	SCREW, mach, torx pan hd	4
50	110838	NUT, lock	2	170	102040	NUT, LOCK, HEX	1
51	117284	GRILL, fan guard	1	172	119434	SCREW, shoulder, socket head	1
54	156306	WASHER, flat	2	173	116969	NUT, lock	1
55	15D862	NUT, hand	1	186	120655	SCREW, flat head	2
69	116038	WASHER, wave spring	2				
70	120211	RING, retaining, e-ring	2				
75	15J645	WASHER	2				
81	192027	SLEEVE, cart	2				
101	15K872	LABEL	1				

Parts Drawing - Electric Motor



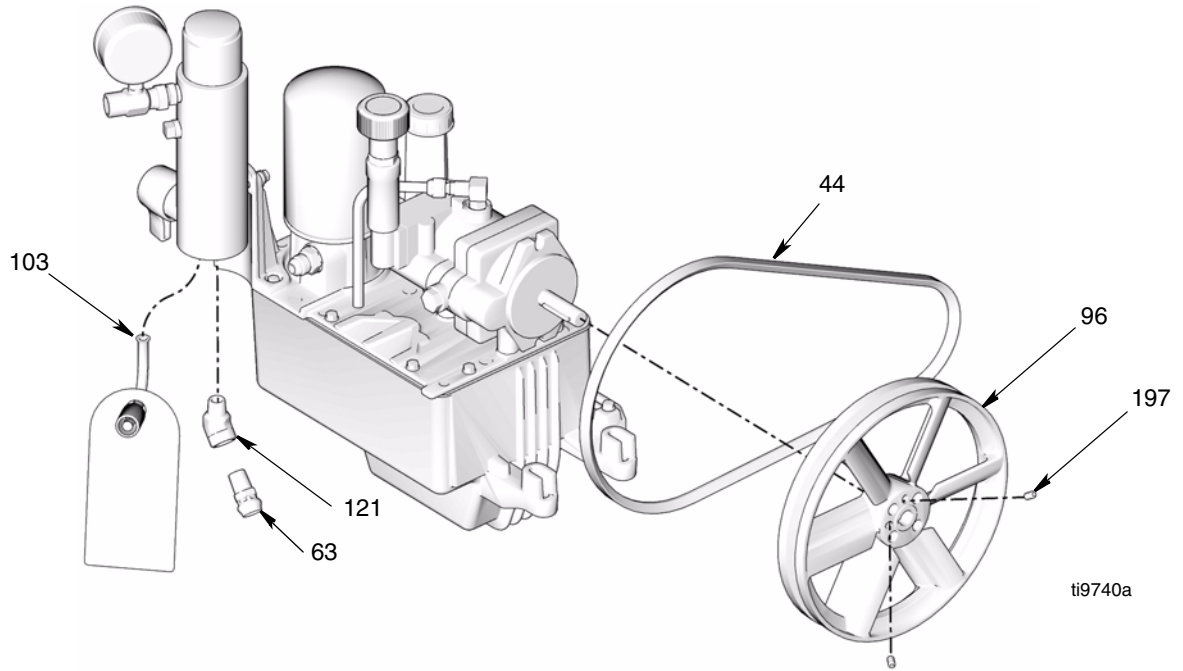
ti9739a

Parts List - Electric Motor

Ref	Part	Description	Qty	Ref	Part	Description	Qty
23	110963	SCREW, cap, flange head	2	192	100057	SCREW, cap, hex hd	4
30	114653	SCREW, cap, flange head	2	193	111040	NUT, lock, insert, nylock, 5/16	4
43	15E588	PULLEY	1	301	197186	PLUG, Italian, rewirable	1
99	15E585	BRACKET, mounting, elec. motor	1	302	197187	PLUG, IEC 309, 16/20A, 3-pin	1
119	15E669	MOTOR, electric, 3 hp, 230 Vac	1	303	197188	PLUG, Australian, rewirable	1
133	100002	SCREW, set, sch	2				
162▲	187975	LABEL, warning	1				
174	110996	NUT, hex, flange head	4				
175	246214	HANDLE, conversion	1				
176	111700	GRIP, handle	1				
190	15F217	PLATE, isolator, bottom	1				
191	113817	BUMPER	4				

▲ Warning labels, are available at no cost.
Breaker Switch Repair Kit 287744 is available
Capacitors Repair Kit 287746 is available

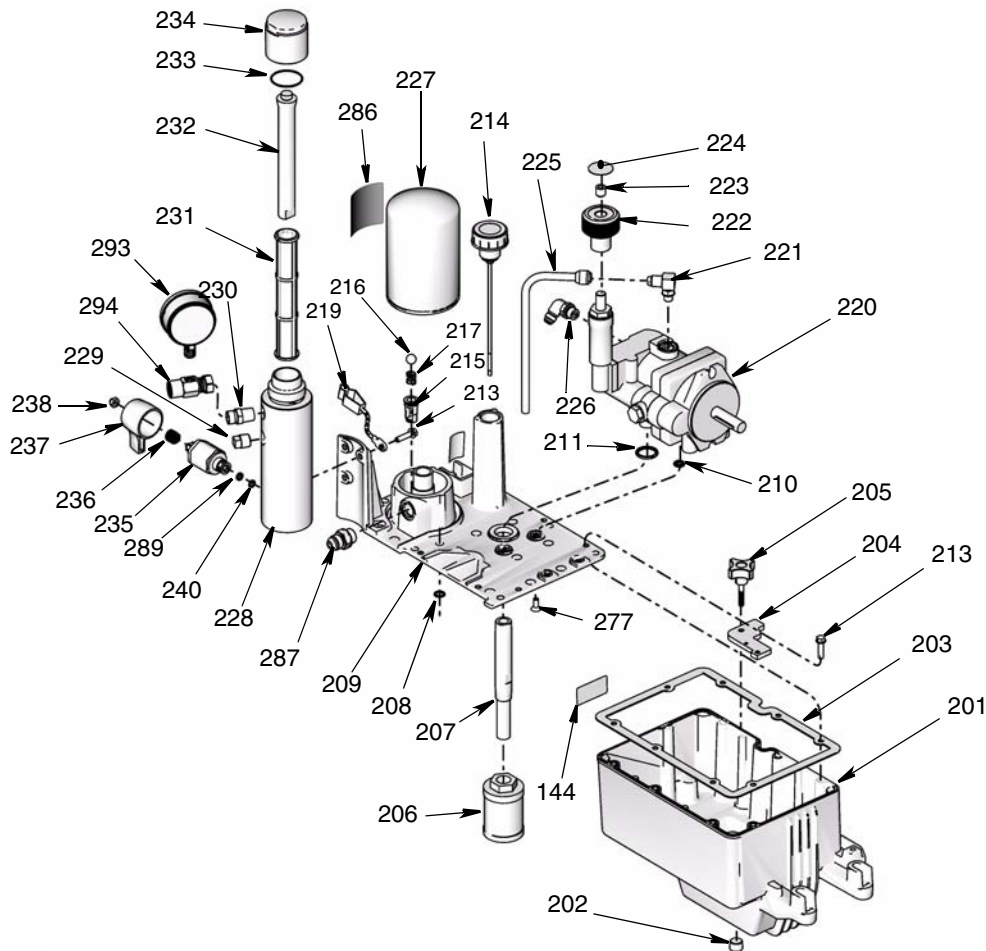
Parts Drawing - Reservoir Assembly



Parts List - Reservoir Assembly

Ref	Part	Description	Qty
44	119433	BELT, V, gripnotch, ax41 in.	1
63	243814	HOSE, coupled	1
96	15E410	PULLEY, fan	1
103	287668	HOSE, kit	1
121	116756	FITTING	1
197	120087	SCREW, set, 1/4 X 1/2	2

Parts Drawing and List - Reservoir and Filter

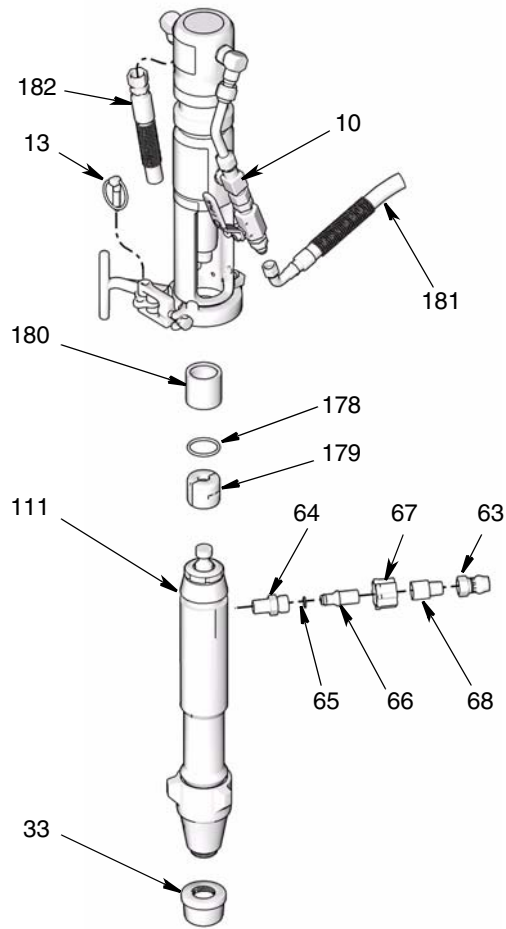


ti9733a

Parts List - Reservoir and Filter

Ref	Part	Description	Qty	Ref	Part	Description	Qty
201	15J513	TANK, reservoir, blue	1	225	198699	TUBE, hydraulic, case drain	1
202	101754	PLUG, pipe	1	226	120634	FITTING, elbow, hydraulicw/o-rings	1
203	120604	GASKET, reservoir	1	227	246173	FILTER, oil, spin on	1
204	15E476	BRACKET, retainer, motor	1	228	15E599	HOUSING	1
205	15D862	NUT, hand	1	229	100040	PLUG, pipe	1
206	116919	FILTER	1	230†	162485	ADAPTER, nipple	1
207	15E587	TUBE, suction	1	231	244067	FILTER, fluid	1
208	154594	O-RING	1	232	15C766	TUBE, diffusion	1
209	15M056	COVER, reservoir, EH200	1	233	117285	O-RING	1
210	107188	O-RING	4	234	287285	CAP, filter	1
211	156401	O-RING	1	235	245103	VALVE, drain, kit	1
213	119426	SCREW, mach, hex washer hd	11	236*	114708	SPRING, compression	1
214	120726	CAP, breather, filler	1	237*	15G563	HANDLE, valve	1
215	198841	RETAINER, ball, pressure bypass	1	238*	116424	NUT, cap	1
216	100084	BALL, metallic	1	240*	193710	SEAL, seat, valve	1
217	116967	SPRING, compression	1	277	117471	SCREW, mach, hex flat head	4
219	237686	WIRE, ground assembly w/ clamp	1	286	189892	LABEL, identification	1
220	246178	PUMP	1	287	120184	FITTING, hydraulic	1
221	110792	FITTING, elbow, male, 90 deg	1	289*	193709	SEAT, valve	1
222	15B438	KNOB, pressure	1	293†	102814	GAUGE	1
223	117560	SCREW, set, socket head	1	294†	243683	UNION, swivel	1
224	15A464	LABEL, control	1	†		Included in Gauge Kit 241339	
				*		Included in Drain Valve Kit 245103	

Parts Drawing - Displacement Pump and Attaching Hardware

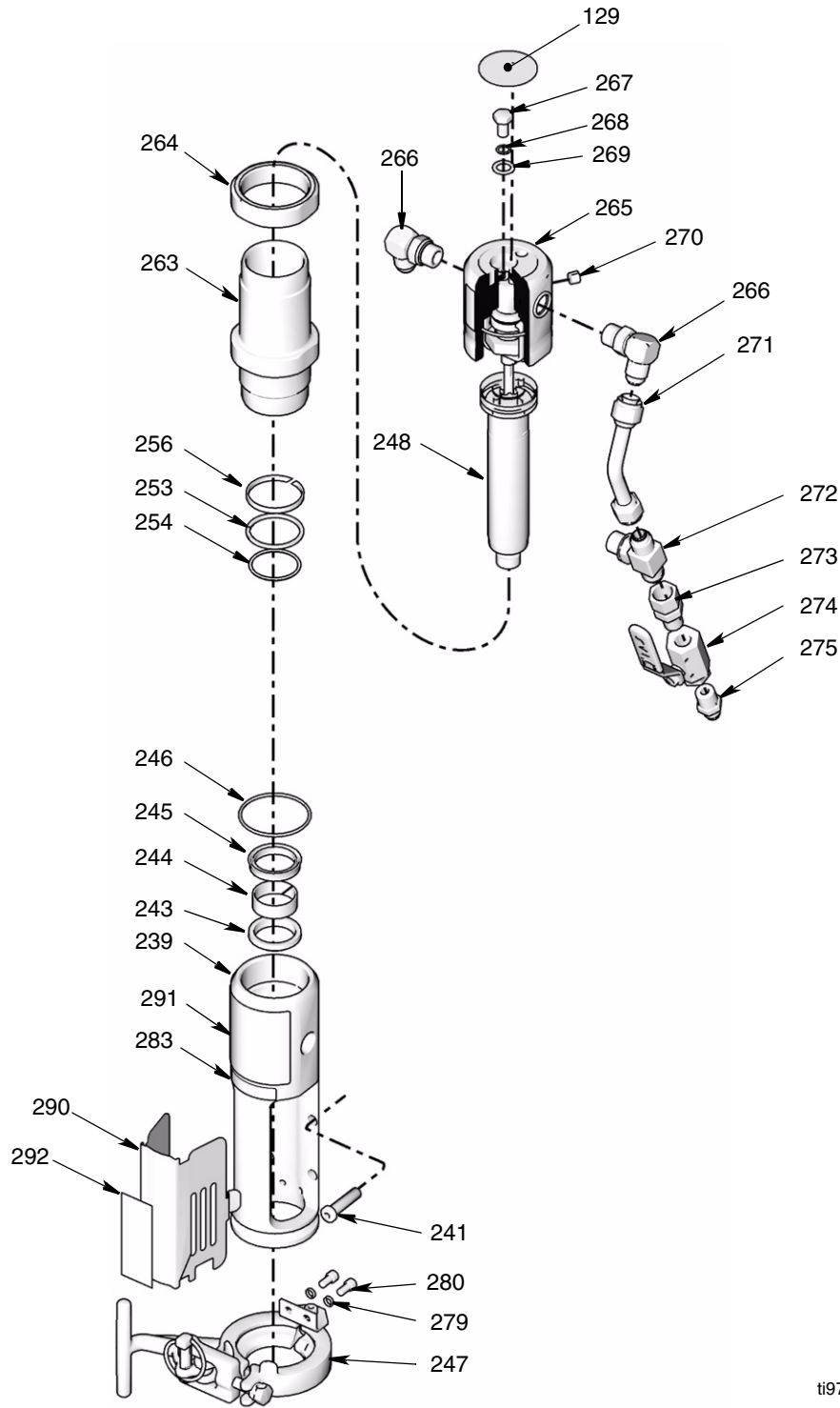


ti9738a

Parts List- Displacement Pump and Attaching Hardware

Ref	Part	Description	Qty	Ref	Part	Description	Qty
10	288759	KIT, hydraulic motor	1	68	150286	ADAPTER	1
13	288741	PIN, lynch	1	111	288819	PUMP, displacement	1
33	189920	STRAINER, (1-11 1/2 npsm)	1	178	156698	O-RING	1
63	243814	HOSE, coupled	1	179	277377	COUPLER	2
64	15J413	FITTING, pump, QD	1	180	15H957	COVER, coupler	1
65	107505	O-RING	1	181	15K641	HOSE, supply	1
66	15J410	FITTING, QD	1	182	15K642	HOSE, return	1
67	120583	NUT, hand	1				

Parts Drawing - Hydraulic Motor



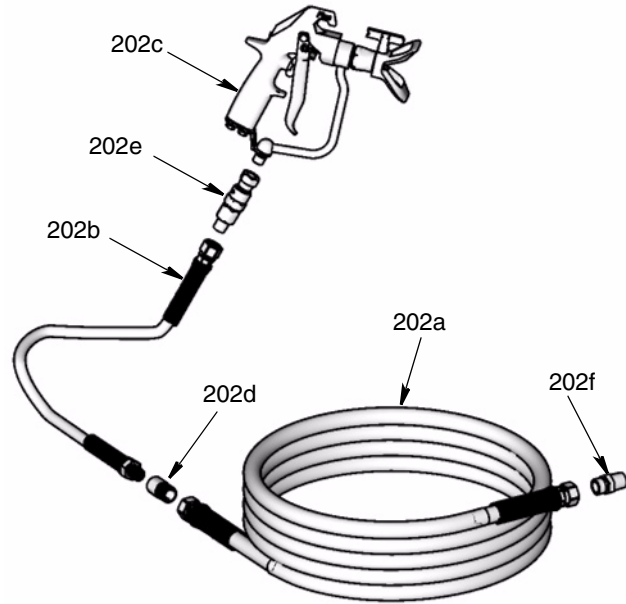
ti9736a

Parts List

Ref	Part	Description	Qty	Ref	Part	Description	Qty
129◆✓	15B063	LABEL	1	273◆	117328	NIPPLE, straight	1
239	15J278	MANIFOLD, adapter	1	274	117441	VALVE, ball	1
241	107210	SCREW	4	275	116813	NIPPLE, hydraulic	1
243◆†	117739	WIPER, ROD	1	279	105510	WASHER, lock, spring (hi-collar)	2
244◆†	112342	BEARING, rod	1	280	101550	SCREW, cap, sch	2
245◆†	112561	BLOCK, packing	1	283▲	192840	LABEL, warning	1
246◆†	117283	O-RING	1	290	15J503	SHIELD	1
247	288344	CLAMP, pump	1	291	15K438	LABEL	1
248◆✓		ROD, displacement	1	292	15F584	LABEL	1
253◆†✓	108014	O-RING	1				
254◆†✓	178226	SEAL, piston	1	▲	<i>Warning labels, are available at no cost.</i>		
256◆†✓	178207	BEARING, piston	1	◆	Included in Hydraulic Motor Kit 288759		
263◆	246176	SLEEVE, hydraulic cylinder	1	✓	Included in Trip Rod/Piston Kit 288736		
264◆	15A726	NUT, jam	1	†	Included in Seal Kit 246174		
265◆✓		CAP, head	1				
266◆	117607	ELBOW std thd	2				
267◆✓		SCREW, cap, hex head	1				
268◆✓		O-RING	1				
269◆✓		WASHER, sealing	1				
270◆†✓	100139	PLUG, pipe	1				
271◆	198629	TUBE, hydraulic, supply	1				
272◆	117609	TEE, branch, str thd	1				

255094 EH 200 Sprayer with Spray Gun and Hoses

Ref	Part	Description	Qty
202	241338	KIT, Gun and Hose, Texture 3300 psi (227 bar, 22.7 MPa) Includes 202a - 202f	1
202a	240797	HOSE, grounded, nylon; 3/8 in. ID; cpld 3/8-18 npsm; 50 ft (15 m); spring guards both ends 3300 psi (227 bar, 22.7 MPa)	1
202b	241735	HOSE, grounded, nylon; 3/16 in. ID; cpld 1/4 npt(m) x 1/4 npsm(f); 3 ft (0.9 m); spring guards both ends 3300 psi (227 bar, 22.7 MPa)	1
202c	246220	GUN, spray, texture Includes RAC® Tip Guard and GHD427 Spray Tip Cylinder See 308491 for parts	1
202d	159841	ADAPTER, 3/8 X 1/4 in. npt	1
202e	239663	SWIVEL, straight	1
202f	162485	ADAPTER, nipple	1



Technical Data

Sprayer	Hydraulic Pressure psi (bar)	Hydraulic Reservoir Capacity Gallons (Liters)	Motor HP (kW)	Vac, Hz, A	Maximum Delivery gpm (lpm)	Maximum Tip size	Fluid Inlet in.	Fluid Outlet in.	
								npsm(m)	npt(f)
EH 200 HDI	3300 (230)	1.25 (4.75)	4.5 (3.3)	230, 50, 14	1.7 (6.4)	0.039	1 npsm(m)	3/8	3/8

Basic Sprayer Wetted Parts:

Zinc and nickel-plated carbon steel, stainless steel, PTFE, acetal, chrome plating, leather, V-Max UHMWPE, aluminum, stainless steel, tungsten carbide, ceramic, nylon, aluminum

Dimensions

Sprayer	Weight lb (kg)	Width in. (cm)	Length in. (cm)
EH 200 HDI	195 (95)	26 (66)	50 (127)

Sound Levels*

Sound Pressure80 dB(A)

Sound Power95 dB(A)

*Measured at maximum normal load conditions

Graco Standard Warranty

Graco warrants all equipment referenced in this document which is manufactured by Graco and bearing its name to be free from defects in material and workmanship on the date of sale to the original purchaser for use. With the exception of any special, extended, or limited warranty published by Graco, Graco will, for a period of twelve months from the date of sale, repair or replace any part of the equipment determined by Graco to be defective. This warranty applies only when the equipment is installed, operated and maintained in accordance with Graco's written recommendations.

This warranty does not cover, and Graco shall not be liable for general wear and tear, or any malfunction, damage or wear caused by faulty installation, misapplication, abrasion, corrosion, inadequate or improper maintenance, negligence, accident, tampering, or substitution of non-Graco component parts. Nor shall Graco be liable for malfunction, damage or wear caused by the incompatibility of Graco equipment with structures, accessories, equipment or materials not supplied by Graco, or the improper design, manufacture, installation, operation or maintenance of structures, accessories, equipment or materials not supplied by Graco.

This warranty is conditioned upon the prepaid return of the equipment claimed to be defective to an authorized Graco distributor for verification of the claimed defect. If the claimed defect is verified, Graco will repair or replace free of charge any defective parts. The equipment will be returned to the original purchaser transportation prepaid. If inspection of the equipment does not disclose any defect in material or workmanship, repairs will be made at a reasonable charge, which charges may include the costs of parts, labor, and transportation.

Graco's sole obligation and buyer's sole remedy for any breach of warranty shall be as set forth above. The buyer agrees that no other remedy (including, but not limited to, incidental or consequential damages for lost profits, lost sales, injury to person or property, or any other incidental or consequential loss) shall be available. Any action for breach of warranty must be brought within two (2) years of the date of sale.

GRACO MAKES NO WARRANTY, AND DISCLAIMS ALL IMPLIED WARRANTIES OF MERCHANTABILITY AND FITNESS FOR A PARTICULAR PURPOSE, IN CONNECTION WITH ACCESSORIES, EQUIPMENT, MATERIALS OR COMPONENTS SOLD BUT NOT MANUFACTURED BY GRACO. These items sold, but not manufactured by Graco (such as electric motors, switches, hose, etc.), are subject to the warranty, if any, of their manufacturer. Graco will provide purchaser with reasonable assistance in making any claim for breach of these warranties.

In no event will Graco be liable for indirect, incidental, special or consequential damages resulting from Graco supplying equipment hereunder, or the furnishing, performance, or use of any products or other goods sold hereto, whether due to a breach of contract, breach of warranty, the negligence of Graco, or otherwise.

FOR GRACO CANADA CUSTOMERS

The Parties acknowledge that they have required that the present document, as well as all documents, notices and legal proceedings entered into, given or instituted pursuant hereto or relating directly or indirectly hereto, be drawn up in English. Les parties reconnaissent avoir convenu que la rédaction du présente document sera en Anglais, ainsi que tous documents, avis et procédures judiciaires exécutés, donnés ou intentés, à la suite de ou en rapport, directement ou indirectement, avec les procédures concernées.

ADDITIONAL WARRANTY COVERAGE

Graco does provide extended warranty and wear warranty for products described in the Graco Contractor Equipment Warranty Program".

TO PLACE AN ORDER, contact your Graco distributor, or call **1-800-690-2894** to identify the nearest distributor.

All written and visual data contained in this document reflects the latest product information available at the time of publication.

Graco reserves the right to make changes at any time without notice.

MM 311797

Graco Headquarters: Minneapolis
International Offices: Belgium, China, Japan, Korea

GRACO INC. P.O. BOX 1441 MINNEAPOLIS, MN 55440-1441

www.graco.com

2/2007