

Electric Airless Sprayers

332760C

EN

- For portable spray applications of architectural paints and coatings -
- For professional use only -
- Not approved for use in explosive atmospheres or hazardous locations -

190 Models:

3000 psi (207 bar, 20.7 MPa) Maximum Working Pressure

290/390 Models:

3300 psi (227 bar, 22.7 MPa) Maximum Working Pressure

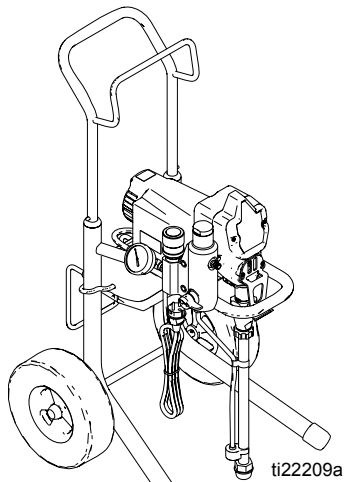
390 Classic Model 24U105:

3000 psi (207 bar, 20.7 MPa) Maximum Working Pressure



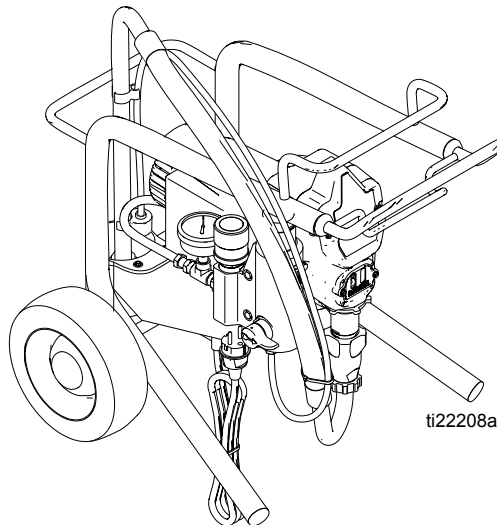
IMPORTANT SAFETY INSTRUCTIONS

Read all warnings and instructions in this manual and on the unit, including the power cord. Save these instructions.



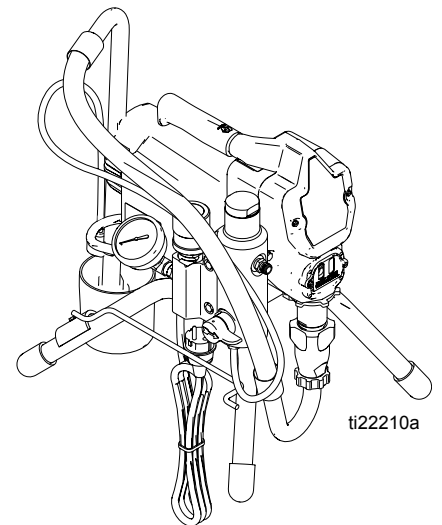
Hi-Boy

ti22209a



Lo-Boy

ti22208a



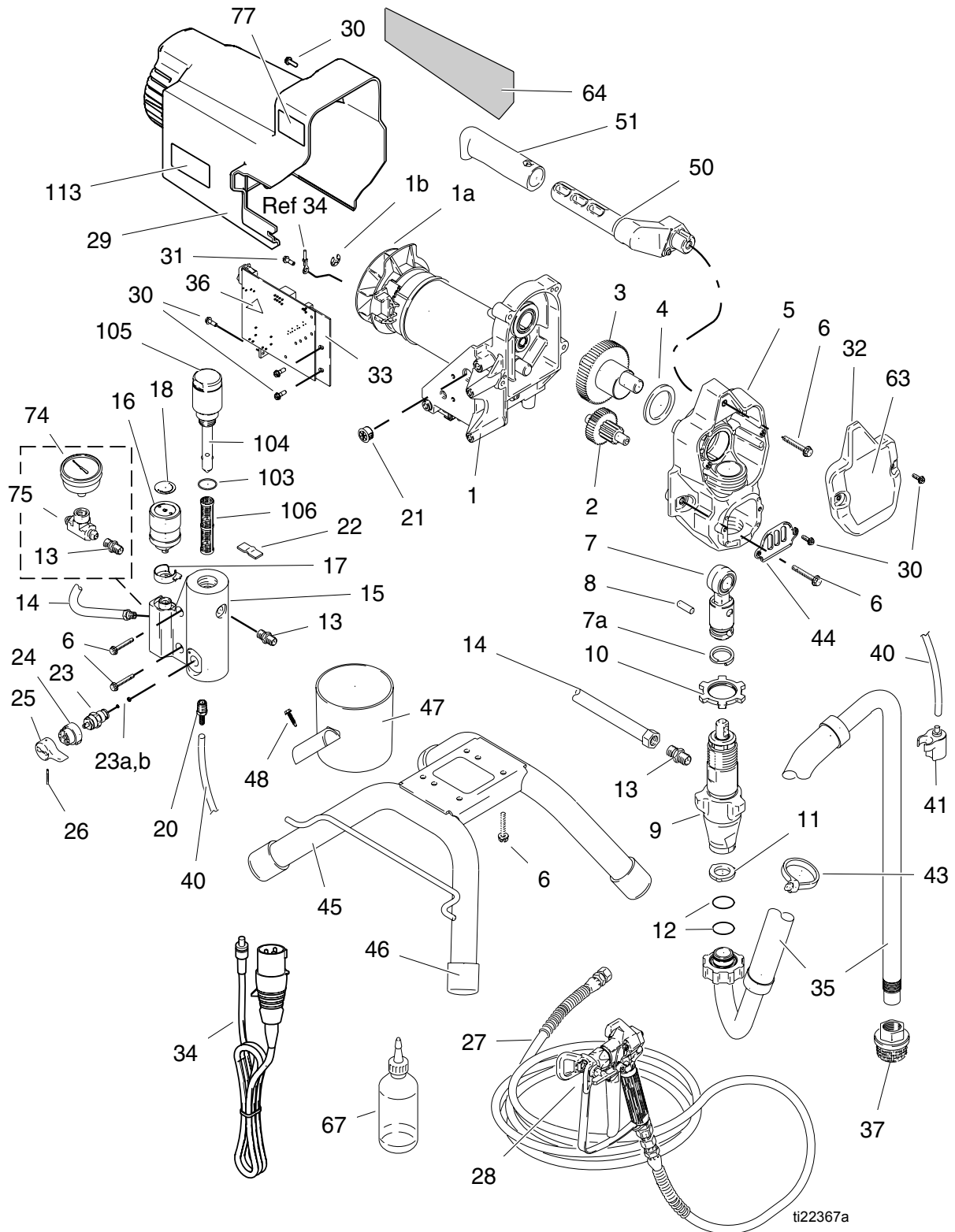
Stand

ti22210a



Parts

(Models 24U094, 253958, 826084)



ti22367a

Parts List

(Models 24U094, 253958, 826084)

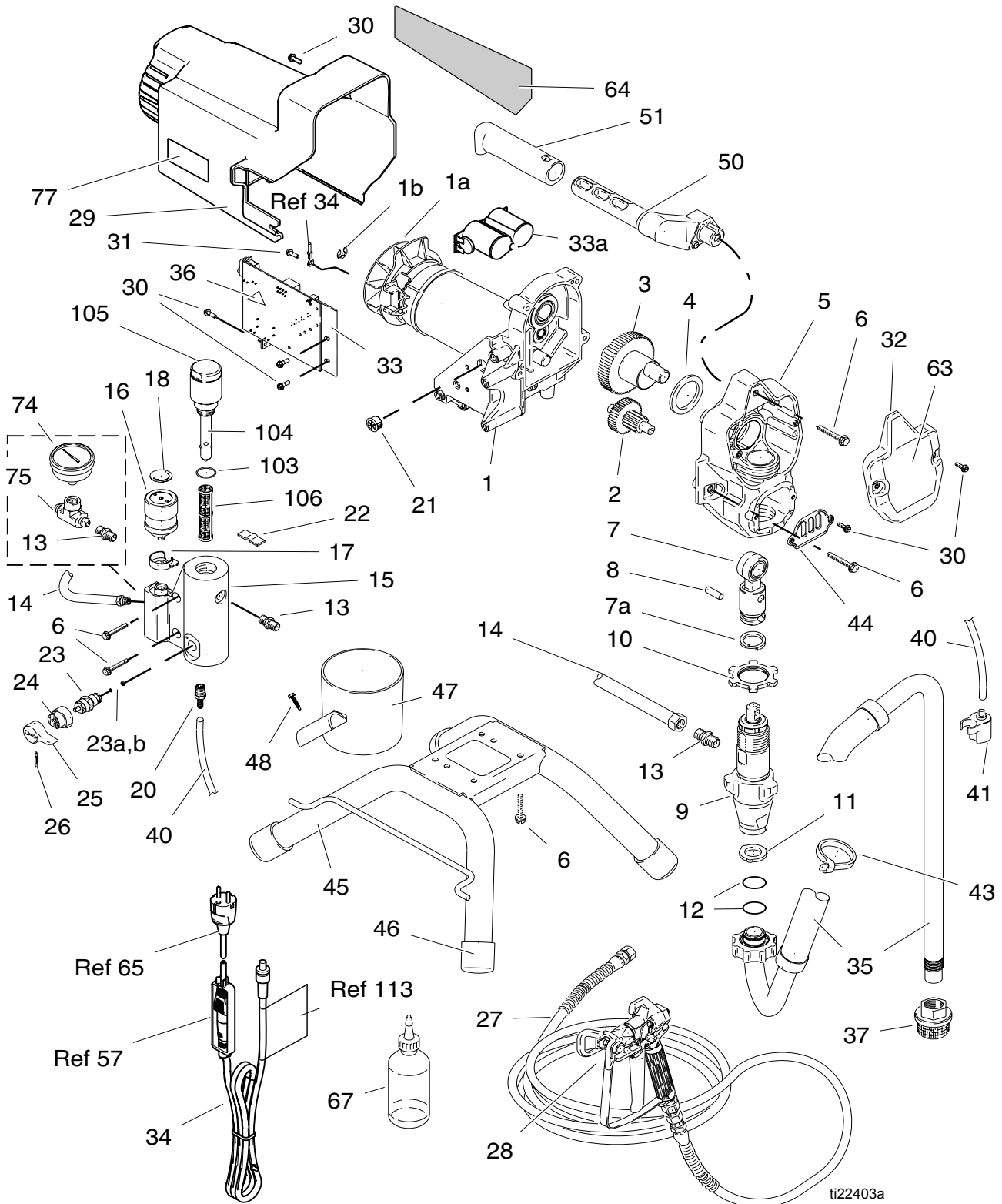
Ref.	Part	Description	Qty.	Ref.	Part	Description	Qty.
1	249040	MOTOR, electric, 120V (includes 1a, 1b)	1		15J743	Models 253958, 826084, lighted, cart unit	1
1a	249043	FAN, motor (includes 1b)	1	35	246386	HOSE, suction set (includes 11, 12, 37)	1
1b	119653	RING, retaining	1	36▲	189930	LABEL, caution	1
2	249194	GEAR, reducer	1	37	246385	STRAINER, 7/8-14 unf	1
3	287054	GEAR, crankshaft (includes 4)	1	40	249051	KIT, tube, drain (includes 20, 41, 43)	1
4	180131	BEARING, thrust	1	41	244035	DEFLECTOR, barbed	1
5	249049	HOUSING, drive (includes 6, 30, 44)	1	43	114958	STRAP, tie	1
6	117493	SCREW, mach, hex washer hd	11	44	15B589	COVER, pump rod	1
7	287053	ROD, connecting (includes 8)	1	45	15E823	FRAME, stand mount	1
7a	196750	SPRING, retaining	1	46	15G857	CAP, leg	4
8	196762	PIN, straight	1	47	287903	CUP, suction/drain	1
9	246428	PUMP, displacement (includes 13)	1	48	122667	SCREW, drill, hex washer head	1
10	195150	NUT, jam, pump	1	50	287072	HANDLE (includes 6, 51)	1
11	115099	WASHER	1	51	116139	GRIP, handle	1
12	117559	O-RING	2	63		LABEL, front	1
13	162453	FITTING, (1/4 npsm x 1/4 npt) Model 24U094	3		16W826	Model 24U094	1
		Models 253958, 826084	2		15K373	Model 253958	1
14	287003	HOSE, cpld	1		15E957	Model 826084	1
15	15H977	MANIFOLD, filter	1	64		LABEL, side	1
16	249005	CONTROL, pressure, 120V (includes 17, 18, 21, 22)	1		16W827	Model 24U094	1
17	15E794	CAP, wire, control, pressure	1		15K375	Model 253958	1
18	15A464	LABEL, control	1		15E958	Model 826084	1
20	M70809	FITTING, barbed	1	66▲	222385	TAG, warning (not shown)	1
21	115756	BUSHING	1	67	206994	FLUID, TSL, 8 oz	1
22	119723	TAPE, foam	1	74	115523	GAUGE, pressure, fluid (Model 24U094)	1
23	235014	VALVE, drain (includes 23a, 23b, 26)	1	75	119783	FITTING, tee, swivel (Model 24U094)	1
23a	277364	GASKET, seat	1	77▲		LABEL, warning icons intl	1
23b	15E022	SEAT, valve	1		16G596	Model 24U094	1
24	224807	BASE, valve	1		195793	Models 253958, 826084	1
25	187625	HANDLE, valve, drain	1	103	117828	O-RING	1
26	111600	PIN, grooved	1	104	15B071	INSERT, manifold	1
27		HOSE, cpld, 1/4 in. x 50 ft	1	105	287902	CAP, filter (includes 104)	1
	240794	Models 24U094, 253958	1	106†	246384	FILTER, fluid	1
	826079	Model 826084	1	113▲	15K359	LABEL, warning (Models 253958, 826084)	1
28		GUN	1		249042	KIT, brush, motor, replacement	1
	288438	FTx (Model 24U094)	1		‡119277	Fuse Replacement	1
	288430	FTx (Model 253958)	1				
	826086	FTx, SW (Model 826084)	1				
29	15J371	SHIELD, motor	1				
30	117501	SCREW, mach, slot hex wash hd	9				
31	115498	SCREW, mach, slot hex wash hd	1				
32	15B254	COVER, front	1				
33‡	249052	BOARD, control, 120V	1				
34		CORD, st, CEE	1				
	253368	Model 24U094, UK	1				

† Other filters available: 246382, 100 mesh; 246383, 200 mesh; 246425, 30 mesh.

▲ Replacement Danger and Warning labels, tags, and cards are available at no cost.

Parts

(Models 24U092, 24U093, 24U095, 24U104, 24U105)



Parts List

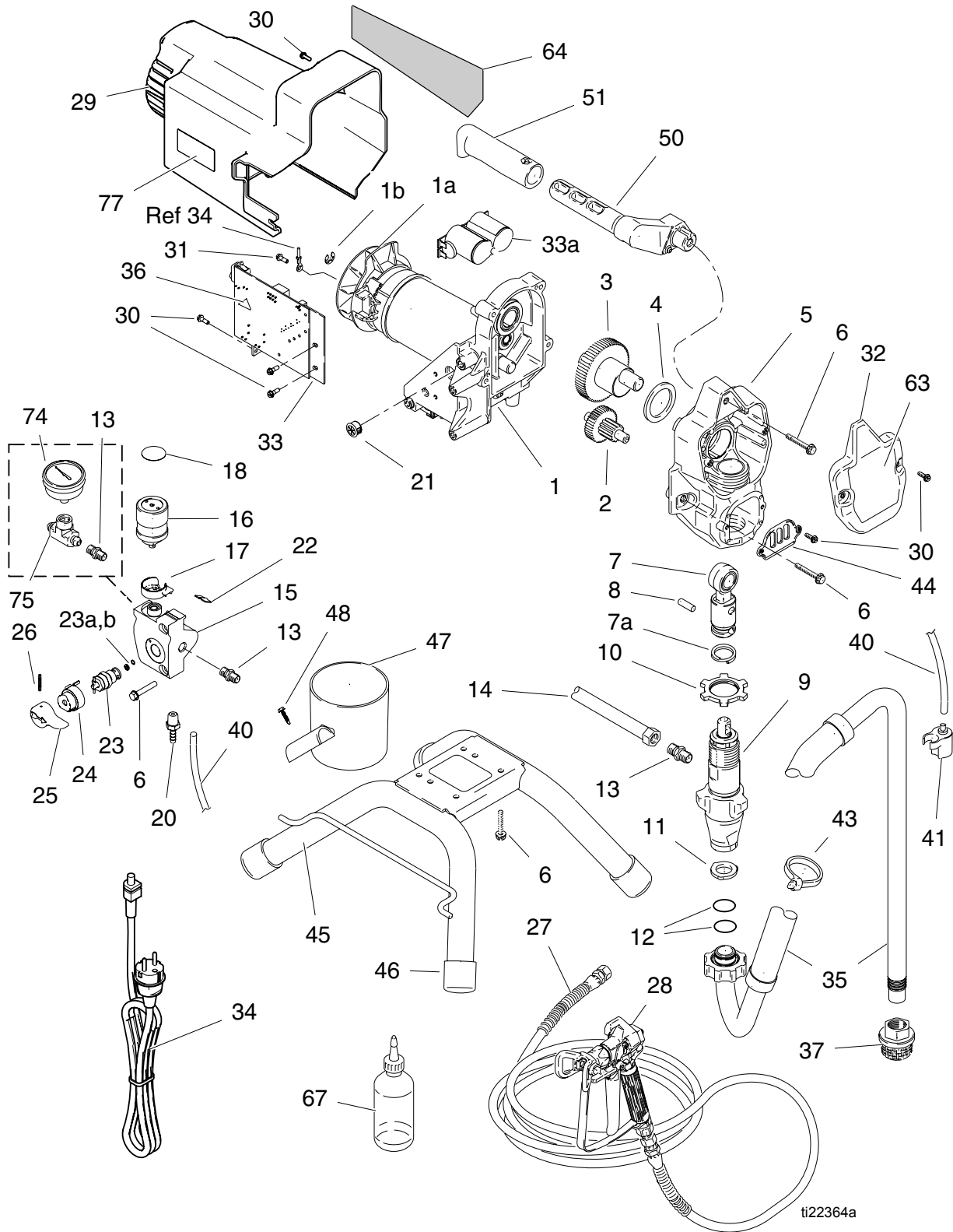
(Models 24U092, 24U093, 24U095, 24U104, 24U105)

Ref.	Part	Description	Qty.	Ref.	Part	Description	Qty.
1	249041	MOTOR, electric, 230V (includes 1a, 1b)	1	37	246385	STRAINER, 7/8-14 unf	1
1a	249043	FAN, motor (includes 1b)	1	40	249051	KIT, tube, drain (includes 20, 41, 43)	1
1b	119653	RING, retaining	1	41	244035	DEFLECTOR, barbed	1
2	249194	GEAR, reducer	1	43	114958	STRAP, tie	1
3	287054	GEAR, crankshaft (includes 4)	1	44	15B589	COVER, pump rod	1
4	180131	BEARING, thrust	1	45	15E823	FRAME, stand mount	1
5		HOUSING, drive (includes 6, 30, 44)		46	15G857	CAP, leg	4
	257465	Model 24U092	1	47	287903	CUP, suction/drain	1
	249049	Models 24U093, 24U095, 24U104, 24U105	1	48	122667	SCREW, drill, hex washer head	1
6	117493	SCREW, mach, hex washer hd	11	50	287072	HANDLE (includes 6, 51)	1
7	287053	ROD, connecting (includes 8)	1	51	116139	GRIP, handle	1
7a	196750	SPRING, retaining	1	57	195551	RETAINER, plug, adapter (Models 24U093, 24U104, 24U105)	1
8	196762	PIN, straight	1				
9	246428	PUMP, displacement (includes 13)	1	63		LABEL, front	
10	195150	NUT, jam, pump	1		16W822	Model 24U092	1
11	115099	WASHER	1		16W826	Models 24U093, 24U095, 24U105	1
12	117559	O-RING	2		16W828	Model 24U104	1
13	162453	FITTING, (1/4 npsm x 1/4 npt)	3	64		LABEL, side	
14	287003	HOSE, cpld	1		16W823	Model 24U092	1
15		MANIFOLD, filter			16W827	Models 24U093, 24U095, 24U105	1
	15J745	Models 24U092, 24U105	1		16W829	Model 24U104	1
	15H977	Models 24U093, 24U095, 24U104	1	65	242001	CORD SET, adapter, Europe	1
16	248929	CONTROL, pressure, 230V (includes 17, 18, 21, 22)	1	66▲	222385	TAG, warning (not shown)	1
17	15E794	CAP, wire, control, pressure	1	67	206994	FLUID, TSL, 8 oz	1
18	15A464	LABEL, control	1	74	115523	GAUGE, pressure, fluid (Models 24U092, 24U093, 24U095, 24U104)	1
20	M70809	FITTING, barbed	1	75	119783	FITTING, tee, swivel (Models 24U092, 24U093, 24U095, 24U104)	1
21	115756	BUSHING	1				
22	119723	TAPE, foam	1	77▲		LABEL, warning icons intl	
23	235014	VALVE, drain (includes 23a, 23b, 26)	1		16G596	Models 24U092, 24U093, 24U095	1
23a	277364	GASKET, seat	1		195792	Models 24U104, 24U105	1
23b	15E022	SEAT, valve	1	90	242005	CORD SET, adapter, Australia (not shown)	1
24	224807	BASE, valve	1	103		O-RING	
25	187625	HANDLE, valve, drain	1		104361	Models 24U092, 24U105	1
26	111600	PIN, grooved	1		117828	Models 24U093, 24U095, 24U104	1
27		HOSE, cpld, 1/4 in. x 50 ft		104		INSERT, manifold	
	240794	Models 24U092, 24U093, 24U095, 24U104	1		15E288	Models 24U092, 24U105	1
	247340	Model 24U105	1		15B071	Models 24U093, 24U095, 24U104	1
28		GUN		105		CAP, filter	
	288438	FTx (Models 24U092, 24U093, 24U095)	1		15E289	Models 24U092, 24U105	1
	288427	FTx-A (Model 24U104)	1		287902	Models 24U093, 24U095, 24U104 (includes 104)	1
	16X214	SG3 (Model 24U105)	1	106†		FILTER, fluid	
29		SHIELD, motor			243080	Models 24U092, 24U105	1
	15E341	Model 24U092	1		246384	Models 24U093, 24U095, 24U104	1
	15J371	Models 24U093, 24U095, 24U104, 24U105	1	113▲	15H087	LABEL, warning (Models 24U104, 24U105)	1
30	117501	SCREW, mach, slot hex wash hd	9				
31	115498	SCREW, mach, slot hex wash hd	1		249042	KIT, brush, motor, replacement	
32		COVER, front					
	15E630	Model 24U092	1		‡119688	Fuse Replacement, 230V	
	15B254	Models 24U093, 24U095, 24U104, 24U105	1				
33‡	16X295	BOARD, control, 230V (includes 33a)	1				
33a	24R905	CAPACITOR BOARD, 230V	1				
34		CORD, st, CEE					
	253369	Models 24U092, 24U095; CEE 7/7	1				
	253370	Models 24U093, IEC, jumper, Europe	1				
	253373	Models 24U104, 24U105, IEC, Asia	1				
35	246386	HOSE, suction set (includes 11, 12, 37)	1				
36▲	189930	LABEL, caution	1				

† Other filters available (Models 24U093, 24U095, 24U104):
246382, 100 mesh; 246383, 200 mesh; 246425, 30 mesh;
(Models 24U092, 24U105): 243081, 100 mesh

▲ Replacement Danger and Warning labels, tags, and cards are available at no cost.

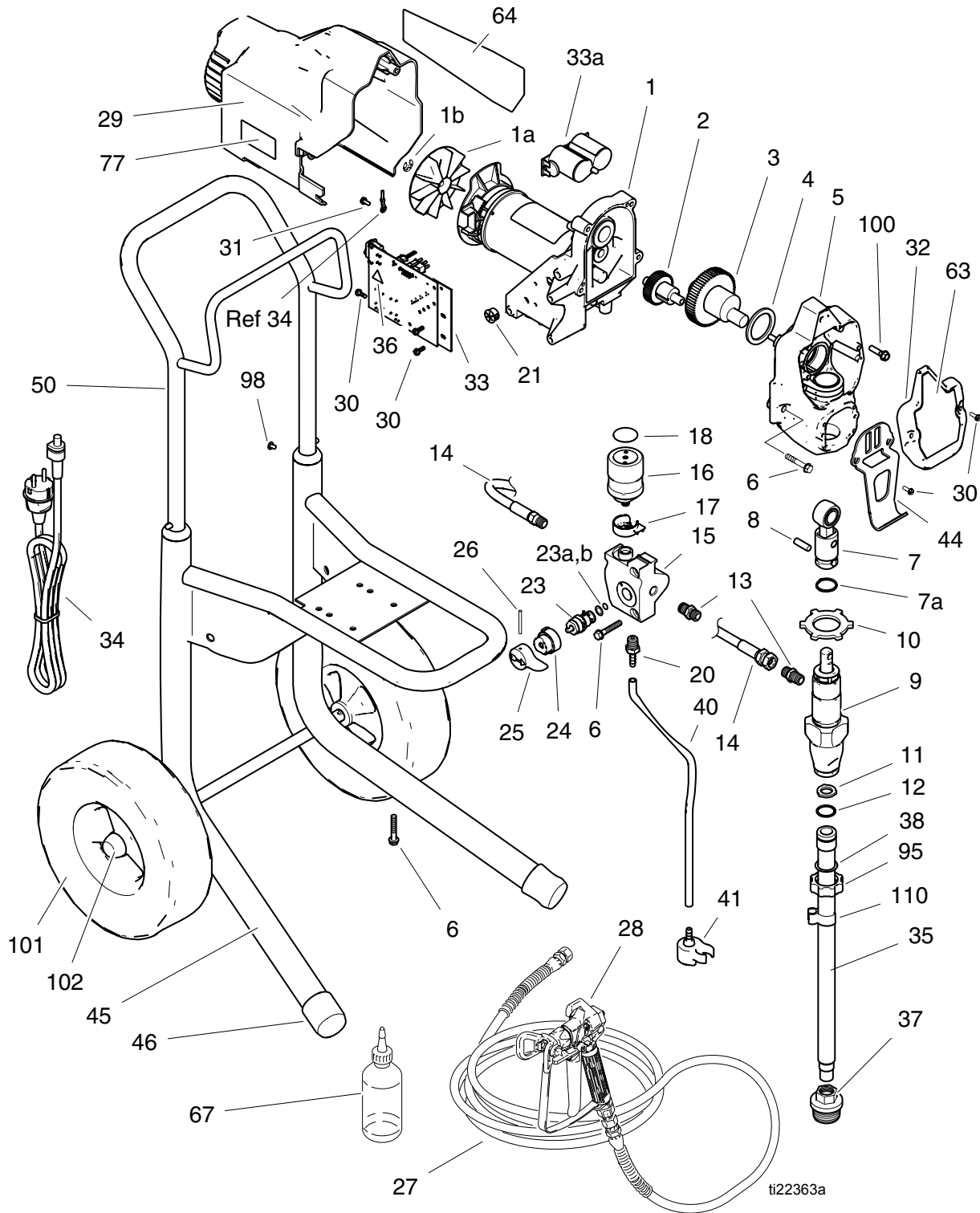
Parts (24U088, 24U089)



Parts List (Models 24U088, 24U089)

Ref.	Part	Description	Qty.	Ref.	Part	Description	Qty.
1		MOTOR, electric (includes 1a, 1b)		31	115498	SCREW, mach, slot hex wash hd	1
	249040	Model 24U089, 120V	1	32	15E630	COVER, front	1
	249041	Model 24U088, 230V		33‡		BOARD, control	1
1a	249043	FAN, motor (includes 1b)	1		249052	Model 24U089, 120V	1
1b	119653	RING, retaining	1		16X295	Model 24U088, 230V (includes 33a)	1
2	249194	GEAR, reducer	1	33a	24R905	CAPACITOR BOARD, 230V (Model 24U088)	1
3	287054	GEAR, crankshaft (includes 4)	1	34		CORD, st, CEE	
4	180131	BEARING, thrust	1		253369	Model 24U088, CEE 7/7	1
5	257465	HOUSING, drive (includes 6, 30, 44)	1		253368	Model 24U089, UK	
6	117493	SCREW, mach, hex washer hd	11	35	246386	HOSE, suction set (includes 11, 12, 37)	1
7	287053	ROD, connecting (includes 8)	1	36▲	189930	LABEL, caution	1
7a	196750	SPRING, retaining	1	37	246385	STRAINER, 7/8-14 unf	1
8	196762	PIN, straight	1	40	249051	KIT, tube, drain (includes 20, 41, 43)	1
9	246428	PUMP, displacement (includes 13)	1	41	244035	DEFLECTOR, barbed	1
10	195150	NUT, jam, pump	1	43	114958	STRAP, tie	1
11	115099	WASHER	1	44	15B589	COVER, pump rod	1
12	117559	O-RING	2	45	15E823	FRAME, stand mount	1
13	162453	FITTING, (1/4 npsm x 1/4 npt) Model 24U088	2	46	15G857	CAP, leg	4
		Model 24U089	3	47	287903	CUP, suction/drain	1
14	287003	HOSE, cpld	1	48	122667	SCREW, drill, hex washer head	1
15	15E295	MANIFOLD, control, pressure	1	50	287072	HANDLE (includes 6, 51)	1
16		CONTROL, pressure (includes 17, 18, 21, 22)		51	116139	GRIP, handle	1
	249005	Model 24U089, 120V	1	63	16W820	LABEL, front	1
	248929	Model 24U088, 230V	1	64	16W821	LABEL, side	1
17	15E794	CAP, wire, control, pressure	1	66▲	222385	TAG, warning (not shown)	1
18	15A464	LABEL, control	1	67	206994	FLUID, TSL, 8 oz	1
20	M70809	FITTING, barbed	1	74	115523	GAUGE, pressure, fluid (Model 24U089)	1
21	115756	BUSHING	1	75	119783	FITTING, tee, swivel (Model 24U089)	1
22	119723	TAPE, foam	1	77▲	16G596	LABEL, warning	1
23	235014	VALVE, drain (includes 23a, 23b, 26)	1		249042	KIT, brush, motor, replacement	
23a	277364	GASKET, seat	1			‡ Fuse Replacement	
23b	15E022	SEAT, valve	1		119277	Model 24U089, 120V	
24	224807	BASE, valve	1		119688	Model 24U088, 230V	
25	187625	HANDLE, valve, drain	1			▲ Replacement Danger and Warning labels, tags, and cards are available at no cost.	
26	111600	PIN, grooved	1				
27	240793	HOSE, coupled, 1/4 in. x 25 ft	1				
28	243238	GUN, SG3-E	1				
29	15E341	SHIELD, motor	1				
30	117501	SCREW, mach, slot hex wash hd	9				

Parts (Models 24U090)



ti22363a

Parts List (Models 24U090)

Ref.	Part	Description	Qty.	Ref.	Part	Description	Qty.
1	249041	MOTOR, electric, 230V (includes 1a, 1b)	1	31	115498	SCREW, mach, slot hex wash hd	1
1a	249043	FAN, motor (includes 1b)	1	32	15E630	COVER, front	1
1b	119653	RING, retaining	1	33‡	16X295	BOARD, control, 230V (includes 33a)	1
2	249194	GEAR, reducer	1	33a	24R905	CAPACITOR BOARD, 230V	
3	287054	GEAR, crankshaft (includes 4)	1	34	253369	CORD, CEE 7/7	1
4	180131	BEARING, thrust	1	35	15J801	TUBE, suction, intake	1
5	255168	HOUSING, drive (includes 6, 30, 44)	1	36▲	189930	LABEL, caution	1
6	117493	SCREW, mach, hex washer hd	10	37	235004	STRAINER, 3/4-16 unf	1
7	287053	ROD, connecting (includes 8)	1	38	15B652	WASHER, suction	1
7a	196750	SPRING, retaining	1	40	15K092	TUBE, drain	1
8	196762	PIN, straight	1	41	244035	DEFLECTOR, barbed	1
9	246428	PUMP, displacement (includes 13)	1	44	15J812	HANGER	1
10	195150	NUT, jam, pump	1	45	288216	FRAME, cart, hi	1
11	115099	WASHER	1	46	15C871	CAP, leg	2
12	103413	PACKING, o-ring	1	50	287489	HANDLE, cart	1
13	162453	FITTING, (1/4 npsm x 1/4 npt)	2	63	16W820	LABEL, front	1
14	15J744	HOSE, cpld	1	64	16W821	LABEL, side	1
15	15E295	MANIFOLD, control, pressure	1	66▲	222385	TAG, warning (not shown)	1
16	248929	CONTROL, pressure, 230V (includes 17, 18, 21)	1	67	206994	FLUID, TSL, 8 oz	1
17	15E794	CAP, wire, control, pressure	1	77▲	16G596	LABEL, warning	1
18	15A464	LABEL, control	1	95	15E813	NUT, jam	1
20	M70809	FITTING, barbed	1	98	109032	SCREW, mach, pnh	4
21	115756	BUSHING	1	100	114531	SCREW, mach, hex washer hd	1
23	235014	VALVE, drain (includes 23a, 23b, 26)	1	101	119451	WHEEL, semi-pneumatic	2
23a	277364	GASKET, seat	1	102	119452	CAP, hub	2
23b	15E022	SEAT, valve	1	110	195400	CLIP, spring	1
24	224807	BASE, valve	1		249042	KIT, brush, motor, replacement	
25	187625	HANDLE, valve, drain	1		‡ 119688	FUSE, replacement, 230V	
26	111600	PIN, grooved	1				
27	240793	HOSE, coupled, 1/4 in. x 25 ft	1				
28	243238	GUN, SG3-E	1				
29	15K968	SHIELD, motor	1				
30	117501	SCREW, mach, slot hex wash hd	7				

▲ Replacement Danger and Warning labels, tags, and cards are available at no cost.

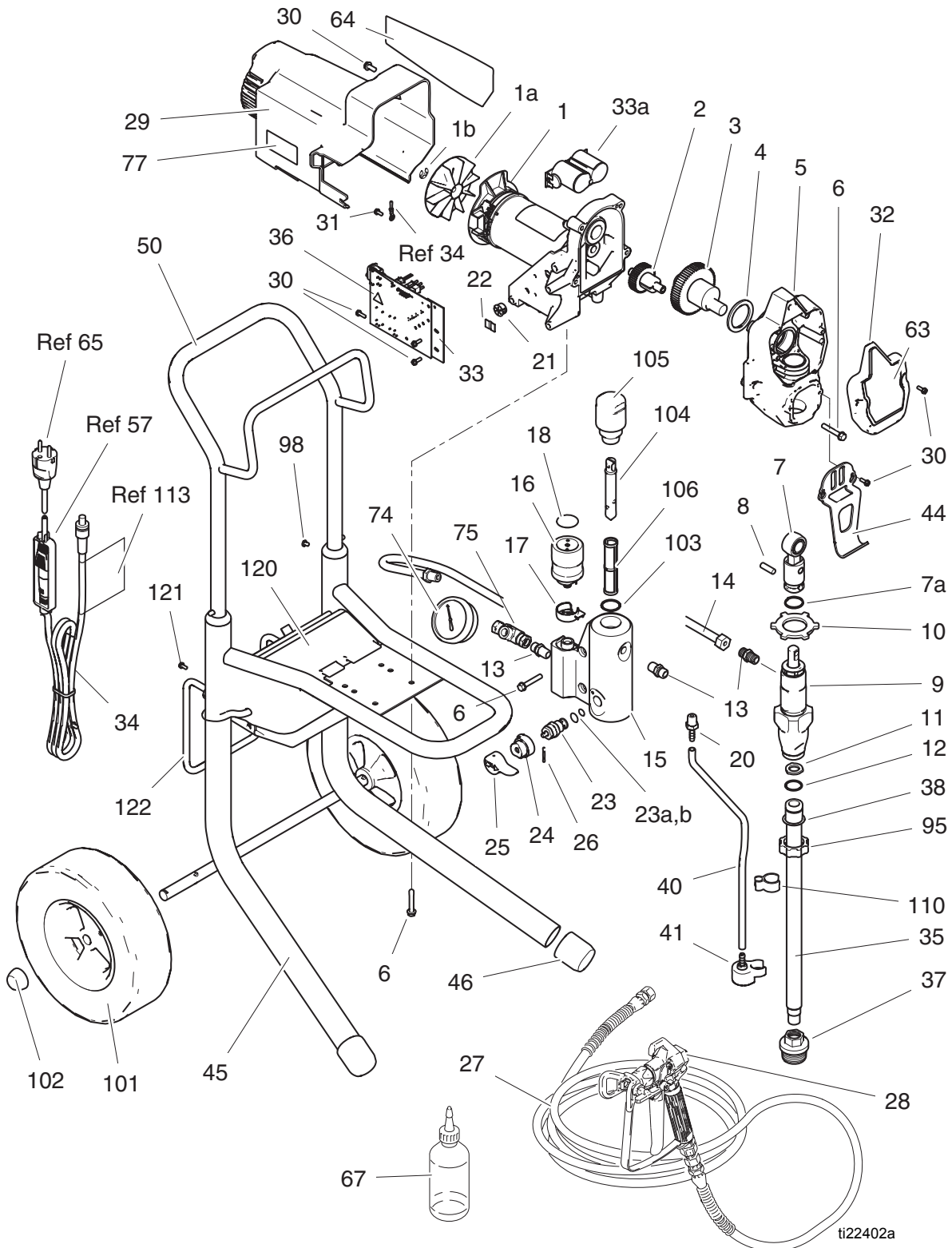
Parts List (Model 24U097, 262019)

Ref.	Part	Description	Qty.	Ref.	Part	Description	Qty.
1	249040	MOTOR, electric 120V (includes 1a, 1b)	1	15J743	Model 262019, lighted, cart unit	1	
1a	249043	FAN, motor (includes 1b)	1	35	15J801 TUBE, suction, intake	1	
1b	119653	RING, retaining	1	36▲	189930 LABEL, caution	1	
2	249194	GEAR, reducer	1	37	235004 STRAINER, 3 /4-16 unf	1	
3	287054	GEAR, crankshaft (includes 4)	1	38	15B652 WASHER, suction	1	
4	180131	BEARING, thrust	1	40	15K092 TUBE, drain	1	
5	24A049	HOUSING, drive (includes 6, 30, 44)	1	41	244035 DEFLECTOR, barbed	1	
6	117493	SCREW, mach, hex washer hd	10	44	15J812 HANGER	1	
7	287053	ROD, connecting (includes 8)	1	45	288216 FRAME, cart, hi	1	
7a	196750	SPRING, retaining	1	46	15C871 CAP, leg	2	
8	196762	PIN, straight	1	50	287489 HANDLE, cart	1	
9	246428	PUMP, displacement (includes 13)	1	63	LABEL, front		
10	195150	NUT, jam, pump	1	16W826	Model 24U097	1	
11	115099	WASHER	1	15K373	Model 262019	1	
12	103413	PACKING, o-ring	1	64	LABEL, side		
13	162453	FITTING, 1/4 npsm x 1/4 npt		16W827	Model 24U097	1	
		Model 24U097	3	15K375	Model 262019	1	
		Model 262019	2	66▲	222385 TAG, warning (not shown)	1	
14		HOSE, cpld		67	206994 FLUID, TSL, 8oz	1	
	15J744	Model 262019	1	74	115523 GAUGE, pressure, fluid (Model 24U097)	1	
	287003	Model 24U097	1	75	119783 FITTING, tee, swivel (Model 24U097)	1	
15	15T874	MANIFOLD, filter	1	77▲	LABEL, warning		
16	249005	CONTROL, pressure, 120V (includes 17, 18, 21, 22)	1	16G596	Model 24U097	1	
17	15E794	CAP, wire, control, pressure	1	195793	Model 262019	1	
18	15A464	LABEL, control	1	95	15E813 NUT, jam	1	
20	M70809	FITTING, barbed	1	98	109032 SCREW, mach, pnh	4	
21	115756	BUSHING	1	101	119451 WHEEL, semi-pneumatic	2	
22	119723	TAPE, foam	1	102	119452 CAP, hub	2	
23	235014	VALVE, drain (includes 23a, 23b, 26)	1	103	117828 O-RING, PTFE encapsulated	1	
23a	277364	GASKET, seat	1	104	15B071 INSERT, filter	1	
23b	15E022	SEAT, valve	1	105	287902 CAP, filter (includes 104)	1	
24	224807	BASE, valve	1	106†	246384 FILTER, fluid, 60 mesh	1	
25	187625	HANDLE, valve, drain	1	110	195400 CLIP, spring	1	
26	111600	PIN, grooved	1	113▲	15K359 LABEL, warning (Model 262019)	1	
27	240794	HOSE, cpld, 1/4 in. x 50 ft	1	120	288503 TOOLBOX, assembly (Model 24U097)	1	
28		GUN		121	108795 SCREW, mach, pnh (Model 24U097)	2	
	288438	FTx (Model 24U097)	1	122	15J117 ROD, kickstand (Model 24U097)	1	
	288430	FTx (Model 262019)	1		249042 KIT, brush, motor, replacement		
29	15T905	SHIELD, motor, painted	1		‡119277 FUSE, replacement, 120V		
30	117501	SCREW, mach, slot hex wash hd	9				
31	115498	SCREW, mach, slot hex wash hd	1				
32	15B254	COVER, front, Graco, paint	1				
33‡	249052	BOARD, control, 120V	1				
34		CORD					
	253368	Model 24U097, UK	1				

† Other filters available: 246382, 100 mesh; 246383, 200 mesh; 246425, 30 mesh

▲ Replacement Danger and Warning labels, tags, and cards are available at no cost.

Parts (Models 24U096, 24U098, 24U107)



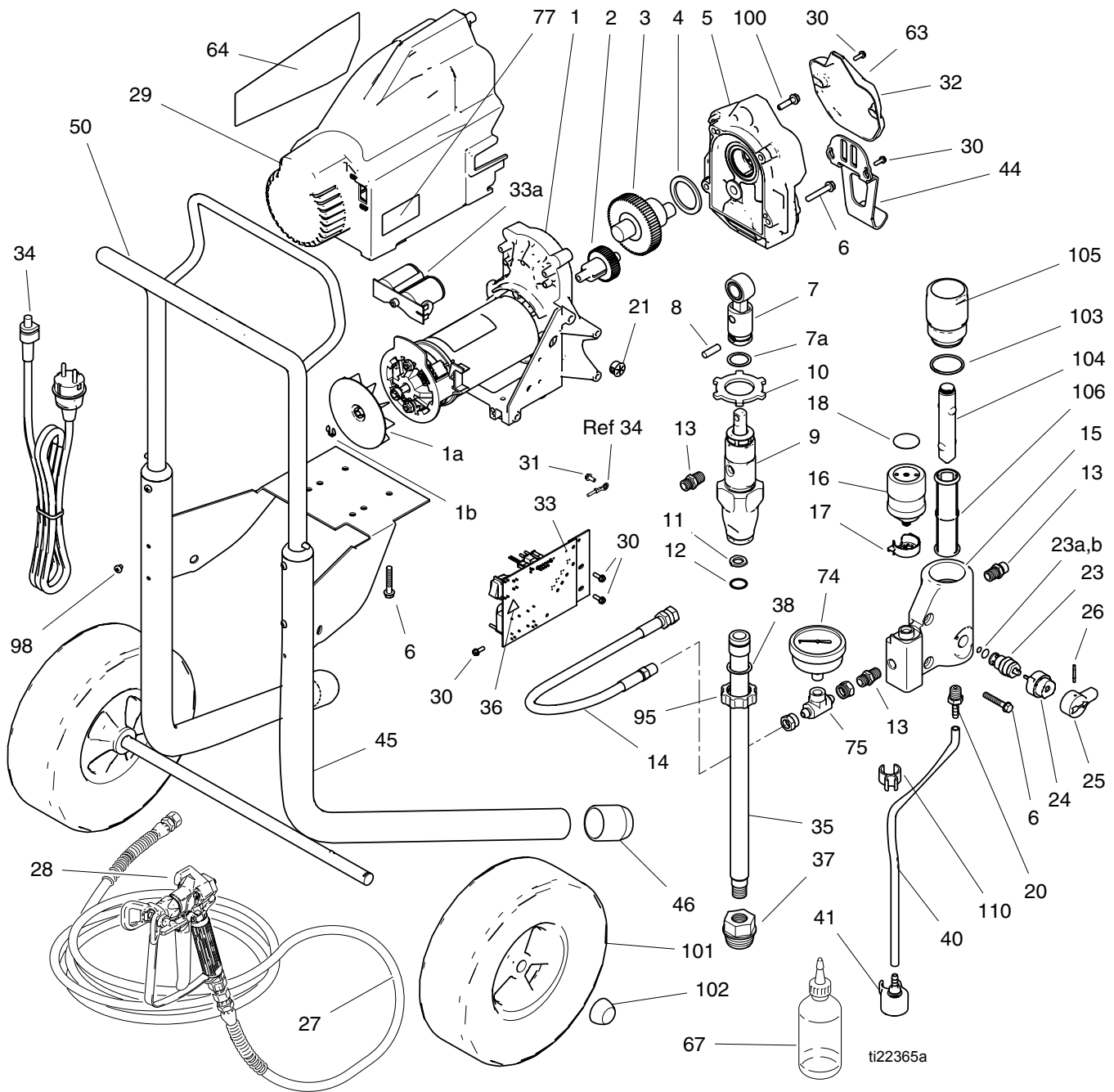
Parts List (Model 24U096, 24U098, 24U107)

Ref.	Part	Description	Qty.	Ref.	Part	Description	Qty.
1	249041	MOTOR, electric 230V (includes 1a, 1b)	1	41	244035	DEFLECTOR, barbed	1
1a	249043	FAN, motor (includes 1b)	1	44	15J812	HANGER	1
1b	119653	RING, retaining	1	45	288216	FRAME, cart, hi	1
2	249194	GEAR, reducer	1	46	15C871	CAP, leg	2
3	287054	GEAR, crankshaft (includes 4)	1	50	287489	HANDLE, cart	1
4	180131	BEARING, thrust	1	57	195551	RETAINER, plug, adapter (Models 24U098, 24U107)	
5	24A049	HOUSING, drive (includes 6, 30, 44)	1	63		LABEL, front	
6	117493	SCREW, mach, hex washer hd	10		16W826	Models 24U096, 24U098	1
7	287053	ROD, connecting (includes 8)	1		16W828	Model 24U107	1
7a	196750	SPRING, retaining	1	64		LABEL, side	
8	196762	PIN, straight	1		16W827	Models 24U096, 24U098	1
9	246428	PUMP, displacement (includes 13)	1		16W829	Model 24U107	1
10	195150	NUT, jam, pump	1	65	242001	CORD SET, adapter, Europe	1
11	115099	WASHER	1	66▲	222385	TAG, warning (not shown)	1
12	103413	PACKING, o-ring	1	67	206994	FLUID, TSL, 8 oz	1
13	162453	FITTING, 1/4 npsm x 1/4 npt	3	74	115523	GAUGE, pressure, fluid	1
14	287003	HOSE, cpld	1	75	119783	FITTING, tee, swivel	1
15	15T874	MANIFOLD, filter	1	77▲		LABEL, warning	
16	248929	CONTROL, pressure, 230V (includes 17, 18, 21, 22)	1		16G596	Models 24U096, 24U098	1
17	15E794	CAP, wire, control, pressure	1		195792	Model 24U107	1
18	15A464	LABEL, control	1	90	242005	CORD SET, adapter, Australia (not shown)	1
20	M70809	FITTING, barbed	1	95	15E813	NUT, jam	1
21	115756	BUSHING	1	98	109032	SCREW, mach, pnh	4
22	119723	TAPE, foam	1	101	119451	WHEEL, semi-pneumatic	2
23	235014	VALVE, drain (includes 23a, 23b, 26)	1	102	119452	CAP, hub	2
23a	277364	GASKET, seat	1	103	117828	O-RING, PTFE encapsulated	1
23b	15E022	SEAT, valve	1	104	15B071	INSERT, filter	1
24	224807	BASE, valve	1	105	287902	CAP, filter (includes 104)	1
25	187625	HANDLE, valve, drain	1	106†	246384	FILTER, fluid, 60 mesh	1
26	111600	PIN, grooved	1	110	195400	CLIP, spring	1
27	240794	HOSE, cpld, 1/4 in. x 50 ft	1	113▲	15H087	LABEL, warning (Model 24U107)	1
28		GUN		120	288503	TOOLBOX, assembly (Models 24U096, 24U098)	1
	288438	FTx (Models 24U096, 24U098)	1	121	108795	SCREW, mach, pnh (Models 24U096, 24U098)	2
	288427	FTx-A (Model 24U107)	1	122	15J117	ROD, kickstand (Models 24U096, 24U098)	1
29	15T905	SHIELD, motor, painted	1		249042	KIT, brush, motor, replacement	
30	117501	SCREW, mach, slot hex wash hd	9		‡119688	FUSE, replacement, 230V	
31	115498	SCREW, mach, slot hex wash hd	1				
32	15B254	COVER, front, Graco, paint	1				
33‡	16X295	BOARD, control, 230V (includes 33a)	1				
33a	24R905	CAPACITOR BOARD, 230V	1				
34		CORD					
	253369	Model 24U096, CEE 7/7	1				
	253370	Models 24U098, IEC, jumper, Europe	1				
	253373	Models 24U107, IEC, jumper, Asia	1				
35	15J801	TUBE, suction, intake	1				
36▲	189930	LABEL, caution	1				
37	235004	STRAINER, 3/4-16 unf	1				
38	15B652	WASHER, suction	1				
40	15K092	TUBE, drain	1				

† Other filters available: 246382, 100 mesh; 246383, 200 mesh; 246425, 30 mesh

▲ Replacement Danger and Warning labels, tags, and cards are available at no cost.

Parts (Models 24U091)



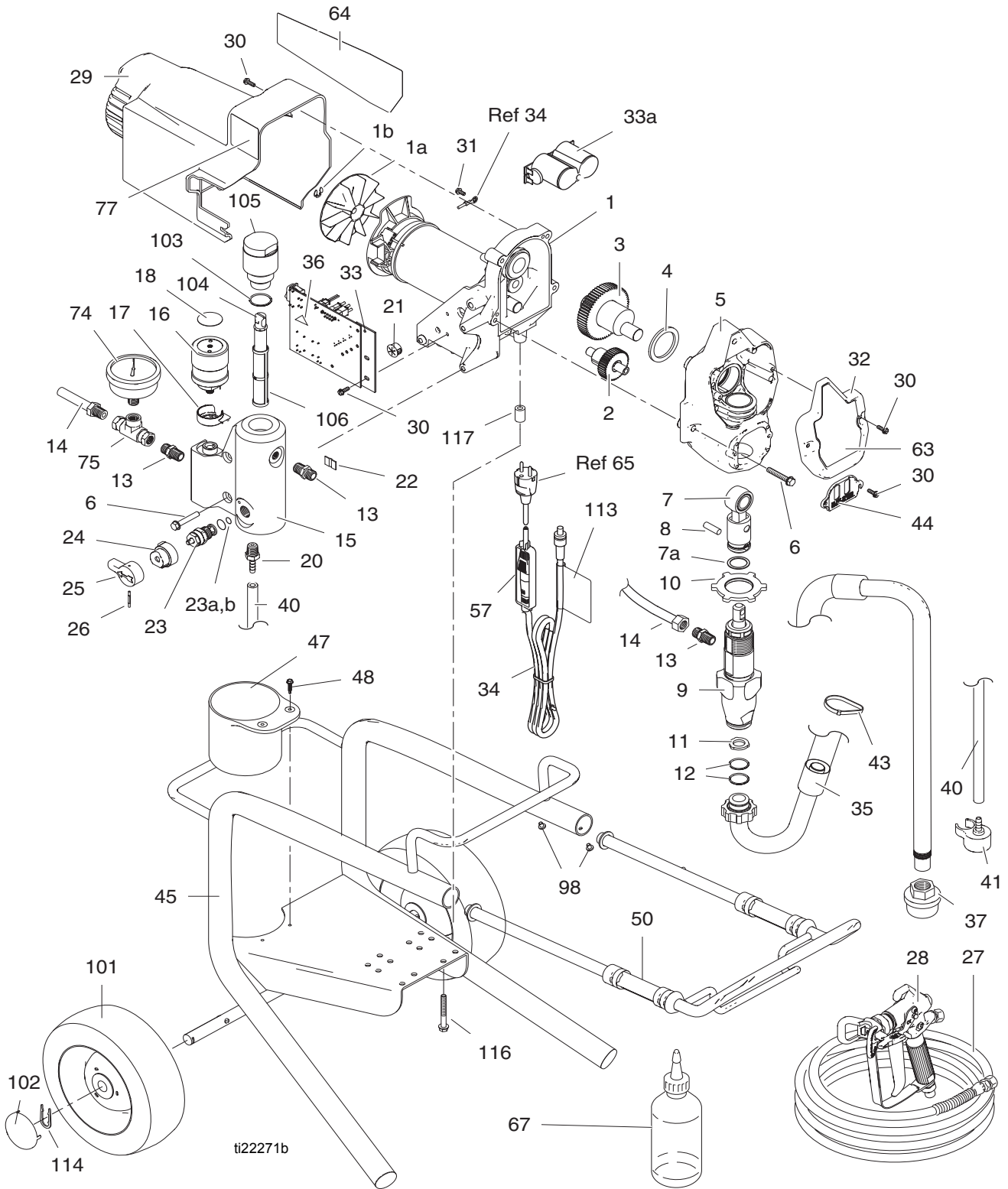
Parts List (Models 24U091)

Ref.	Part	Description	Qty.	Ref.	Part	Description	Qty.
1	249041	MOTOR, electric, 230V (includes 1a, 1b)	1	33a	24R905	CAPACITOR BOARD, 230V	
1a	249043	FAN, motor (includes 1b)	1	34	253369	CORD, CEE 7/7	1
1b	119653	RING, retaining	1	35	15J801	TUBE, suction, intake	1
2	249194	GEAR, reducer	1	36▲	189930	LABEL, caution	1
3	287054	GEAR, crankshaft (includes 4)	1	37	235004	STRAINER, 3/4-16 unf	1
4	180131	BEARING, thrust	1	38	15B652	WASHER, suction	1
5	255168	HOUSING, drive (includes 6, 30, 44)	1	40	15K092	TUBE, drain	1
6	117493	SCREW, mach, hex washer hd	10	41	244035	DEFLECTOR, barbed	1
7	287053	ROD, connecting (includes 8)	1	44	15J812	HANGER	1
7a	196750	SPRING, retaining	1	45	288216	FRAME, cart, hi	1
8	196762	PIN, straight	1	46	15C871	CAP, leg	2
9	246428	PUMP, displacement (includes 13)	1	50	287489	HANDLE, cart	1
10	195150	NUT, jam, pump	1	63	16W822	LABEL, front	1
11	115099	WASHER	1	64	16W823	LABEL, side	1
12	103413	PACKING, o-ring	1	66▲	222385	TAG, warning (not shown)	1
13	162453	FITTING, (1/4 npsm x 1/4 npt)	3	67	206994	FLUID, TSL, 8oz	1
14	287003	HOSE, cpld	1	74	115523	GAUGE, pressure, fluid	1
15	15J745	MANIFOLD, filter	1	75	119783	FITTING, tee, swivel	1
16	248929	CONTROL, pressure, 230V (includes 17, 18, 21)	1	77▲	16G596	LABEL, warning	1
17	15E794	CAP, wire, control, pressure	1	95	15E813	NUT, jam	1
18	15A464	LABEL, control	1	98	109032	SCREW, mach, pnh	4
20	M70809	FITTING, barbed	1	100	114531	SCREW, mach, hex washer hd	1
21	115756	BUSHING	1	101	119451	WHEEL, semi-pneumatic	2
23	235014	VALVE, drain (includes 23a, 23b, 26)	1	102	119452	CAP, hub	2
23a	277364	GASKET, seat	1	103	104361	PACKING, o-ring	1
23b	15E022	SEAT, valve	1	104	15E288	INSERT, manifold	1
24	224807	BASE, valve	1	105	15E289	CAP, filter	1
25	187625	HANDLE, valve, drain	1	106†	243080	FILTER, fluid	1
26	111600	PIN, grooved	1	110	195400	CLIP, spring	1
27	240794	HOSE, cpld, 1/4 in. x 50 ft.	1		249042	KIT, brush, motor, replacement	
28	288438	GUN, FTx	1	‡	119688	FUSE, replacement, 230V	
29	277385	SHIELD, motor	1				
30	117501	SCREW, mach, slot hex wash hd	7				
31	115498	SCREW, mach, slot hex wash hd	1				
32	15E630	COVER, front	1				
33‡	16X295	BOARD, control, 230V (includes 33a)	1				

† Other filters available: 243081, mesh 100

▲ Replacement Danger and Warning labels, tags, and cards are available at no cost.

Parts (Model 24U106)



Parts List (Model 24U106)

Ref.	Part	Description	Qty.	Ref.	Part	Description	Qty.
1	249041	MOTOR, electric, 230V (includes 1a, 1b)	1	36▲	189930	LABEL, caution	1
1a	249043	FAN, motor (includes 1b)	1	37	246385	STRAINER, 7/8-14 unf	1
1b	119653	RING, retaining	1	40	249051	KIT, tube, drain (includes 20, 41, 43)	1
2	249194	GEAR, reducer	1	41	244035	DEFLECTOR, barbed	1
3	287054	GEAR, crankshaft (includes 4)	1	43	114958	STRAP, tie	1
4	180131	BEARING, thrust	1	44	15B589	COVER, pump rod	1
5	249049	HOUSING, drive (includes 6, 30, 44)	1	45	246250	FRAME, cart, lo	1
6	117493	SCREW, mach, hex washer hd	6	47	15B870	CUP, suction/drain	1
7	287053	ROD, connecting (includes 8)	1	48	122667	SCREW, drill, hex washer head	2
7a	196750	SPRING, retaining	1	50	287488	HANDLE, cart	1
8	196762	PIN, straight	1	57	195551	RETAINER, plug, adapter	1
9	246428	PUMP, displacement (includes 13)	1	63	16W828	LABEL, front	1
10	195150	NUT, jam, pump	1	64	16W829	LABEL, side	1
11	115099	WASHER	1	65	242001	CORD SET, adapter, Europe	1
12	117559	O-RING	2	66▲	222385	TAG, warning (not shown)	1
13	162453	FITTING, (1/4 npsm x 1/4 npt)	3	67	206994	FLUID, TSL, 8oz	1
14	287003	HOSE, cpld	1	74	115523	GAUGE, pressure, fluid	1
15	15H977	MANIFOLD, filter	1	75	119783	FITTING, tee, swivel	1
16	248929	CONTROL, pressure, 230V (includes 17, 18, 21)	1	77▲	195792	LABEL, warning	1
17	15E794	CAP, wire, control, pressure	1	90	242005	CORD SET, adapter, Australia (not shown)	1
18	15A464	LABEL, control	1	98	109032	SCREW, mach, pnh	4
20	M70809	FITTING, barbed	1	101	195766	WHEEL, semi-pneumatic	2
21	115756	BUSHING	1	102	104811	CAP, hub	2
22	119723	TAPE, foam	1	103	117828	O-RING, PTFE encapsulated	1
23	235014	VALVE, drain (includes 23a, 23b, 26)	1	104	15B071	INSERT, filter	1
23a	277364	GASKET, seat	1	105	287902	CAP, filter (includes 104)	1
23b	15E022	SEAT, valve	1	106†	246384	FILTER, fluid, 60 mesh	1
24	224807	BASE, valve	1	113▲	15H087	LABEL, warning	1
25	187625	HANDLE, valve, drain	1	114	15B999	CLIP, retaining	2
26	111600	PIN, grooved	1	116	120091	SCREW, 1/4-20 x 2	4
27	240794	HOSE, coupled, 1/4 in. x 50 ft	1	117	16U457	SPACER, standoff	4
28	288427	GUN, FTx-A	1		249042	KIT, brush, motor, replacement	
29	15J371	SHIELD, motor	1		‡ 119688	FUSE, replacement, 230V	
30	117501	SCREW, mach, slot hex wash hd	9				
31	115498	SCREW, mach, slot hex wash hd	1				
32	15B254	COVER, front	1				
33‡	16X295	BOARD, control, 230V (includes 33a)	1				
33a	24R905	CAPACITOR BOARD, 230V	1				
34	253373	CORD, IEC, jumper, Asia	1				
35	246386	HOSE, suction set (includes 11, 12, 37)	1				

† Other filters available: 246382, 100 mesh; 246383, 200 mesh; 246425, 30 mesh.

▲ Replacement Danger and Warning labels, tags, and cards are available at no cost.

Graco Standard Warranty

Graco warrants all equipment referenced in this document which is manufactured by Graco and bearing its name to be free from defects in material and workmanship on the date of sale to the original purchaser for use. With the exception of any special, extended, or limited warranty published by Graco, Graco will, for a period of twelve months from the date of sale, repair or replace any part of the equipment determined by Graco to be defective. This warranty applies only when the equipment is installed, operated and maintained in accordance with Graco's written recommendations.

This warranty does not cover, and Graco shall not be liable for general wear and tear, or any malfunction, damage or wear caused by faulty installation, misapplication, abrasion, corrosion, inadequate or improper maintenance, negligence, accident, tampering, or substitution of non-Graco component parts. Nor shall Graco be liable for malfunction, damage or wear caused by the incompatibility of Graco equipment with structures, accessories, equipment or materials not supplied by Graco, or the improper design, manufacture, installation, operation or maintenance of structures, accessories, equipment or materials not supplied by Graco.

This warranty is conditioned upon the prepaid return of the equipment claimed to be defective to an authorized Graco distributor for verification of the claimed defect. If the claimed defect is verified, Graco will repair or replace free of charge any defective parts. The equipment will be returned to the original purchaser transportation prepaid. If inspection of the equipment does not disclose any defect in material or workmanship, repairs will be made at a reasonable charge, which charges may include the costs of parts, labor, and transportation.

THIS WARRANTY IS EXCLUSIVE, AND IS IN LIEU OF ANY OTHER WARRANTIES, EXPRESS OR IMPLIED, INCLUDING BUT NOT LIMITED TO WARRANTY OF MERCHANTABILITY OR WARRANTY OF FITNESS FOR A PARTICULAR PURPOSE.

Graco's sole obligation and buyer's sole remedy for any breach of warranty shall be as set forth above. The buyer agrees that no other remedy (including, but not limited to, incidental or consequential damages for lost profits, lost sales, injury to person or property, or any other incidental or consequential loss) shall be available. Any action for breach of warranty must be brought within two (2) years of the date of sale.

GRACO MAKES NO WARRANTY, AND DISCLAIMS ALL IMPLIED WARRANTIES OF MERCHANTABILITY AND FITNESS FOR A PARTICULAR PURPOSE, IN CONNECTION WITH ACCESSORIES, EQUIPMENT, MATERIALS OR COMPONENTS SOLD BUT NOT MANUFACTURED BY GRACO. These items sold, but not manufactured by Graco (such as electric motors, switches, hose, etc.), are subject to the warranty, if any, of their manufacturer. Graco will provide purchaser with reasonable assistance in making any claim for breach of these warranties.

In no event will Graco be liable for indirect, incidental, special or consequential damages resulting from Graco supplying equipment hereunder, or the furnishing, performance, or use of any products or other goods sold hereto, whether due to a breach of contract, breach of warranty, the negligence of Graco, or otherwise.

FOR GRACO CANADA CUSTOMERS

The Parties acknowledge that they have required that the present document, as well as all documents, notices and legal proceedings entered into, given or instituted pursuant hereto or relating directly or indirectly hereto, be drawn up in English. Les parties reconnaissent avoir convenu que la rédaction du présente document sera en Anglais, ainsi que tous documents, avis et procédures judiciaires exécutés, donnés ou intentés, à la suite de ou en rapport, directement ou indirectement, avec les procédures concernées.

Graco Information

For the latest information about Graco products, visit www.graco.com.

TO PLACE AN ORDER, contact your Graco distributor or call 1-800-690-2894 to identify the nearest distributor.

All written and visual data contained in this document reflects the latest product information available at the time of publication. Graco reserves the right to make changes at any time without notice.

For patent information, see www.graco.com/patents

Original instructions. This manual contains English. MM 332760

Graco Headquarters: Minneapolis
International Offices: Belgium, China, Japan, Korea

GRACO INC. AND SUBSIDIARIES • P.O. BOX 1441 • MINNEAPOLIS MN 55440-1441 • USA
Copyright 2013, Graco Inc. All Graco manufacturing locations are registered to ISO 9001.

www.graco.com
Revised May 2014